

Together we are

The ASSA ABLOY Group



# HARDWARE FOR UPVC WINDOW & DOOR

2022-2023 Version

Experience a safer and more open world



ASSA ABLOY

## Introduction

With 30 years of hardware processing experience, ASSA ABLOY Guoqiang (Shandong) Hardware Technology CO., Ltd (originally named as Shandong Guoqiang Hardware Technology CO., Ltd) is a high and new tech enterprise which is engaged in producing window and door hardware fittings as well as related architectural accessory. In May 2012, the company was taken over by the ASSA ABLOY Group in Sweden after an action of merger and acquisition. It has been exclusively owned by ASSA ABLOY after being approved by Shandong Industry and Commerce Bureau. Now Guoqiang Hardware is being put on the right track of internationalized development. In order to make our business partners learn more about the ASSA ABLOY Group and its subsidiary industries, following the Group's publicity strategy, Shandong Guoqiang Hardware Technology CO. Ltd was replaced by new name "ASSA ABLOY Guoqiang (Shandong) Hardware Technology CO., Ltd" after being examined and approved by both Shandong Industry and Commerce Bureau and Department of Commerce of Shandong Province on June 15, 2015.

The company has already formed the scale of intensive processing and the flow lines are put in different procedures as die casting, cold-rolling, stamping, plating, painting, assembly, storage and logistics, which offers complete procedures, and strong R&D capacity to keep up with the market needs quickly. By following the company's development plan, we absorbed advanced technology from intergroup based on our own powerful R&D ability. Now the product range has covered window/door hardware, fire door and security door hardware, commercial building hardware, vehicle door hardware and sealing rubber strip. As one leading building hardware manufacturer in CHINA, Guoqiang hardware comes to a very important member among its global window/door hardware manufactories.

The company has China national approved laboratory (Following name as CNAL) with complete test instruments and high level of technical strength which can make all kinds of chemical analysis and mechanical performance tests. By the end of 2014, over 300 patents came out. Our company is also the major draft unit of the national standard on window/door hardware.

The sales network spreads total 111 China cities by building up direct sale offices as well as across over 40 countries globally. Guoqiang hardware has been continuously keeping leadership for 10 years according to the statistics from industry organization.

Taking the vision and social responsibility of "the global leader in door opening solutions" from ASSA ABLOY and making use of advanced research technology, scientific management and powerful capital sources, the company is leaping to "Created in China" from originally "Made in China and forwarding the rank of the world's brand hardware."





# Factory View



Stamping Line



Automatic Stamping Machine



Die-Casting Line



Automatic Die-Casting Machine



Auto Electroplating Circle Line



Auto Powder Coating Line

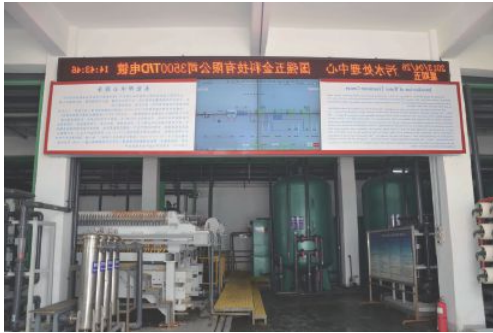


Auto Powder Coating Line

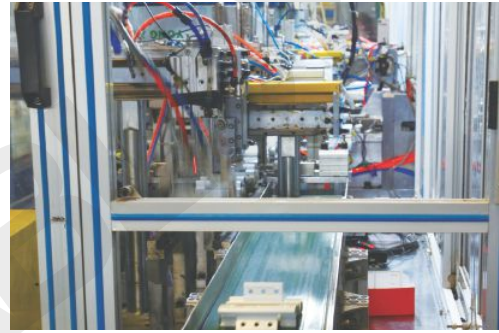


Auto Powder Coating Line

# Factory View



Water Purification Center



Hinge Automatic Assembly Machine



Hinge Automatic Assembly Machine



Home-made Auto Handle Assembly Line



Salty Spray Testing Instrument



Handle Life-Cycle Testing Machine



Warehouse

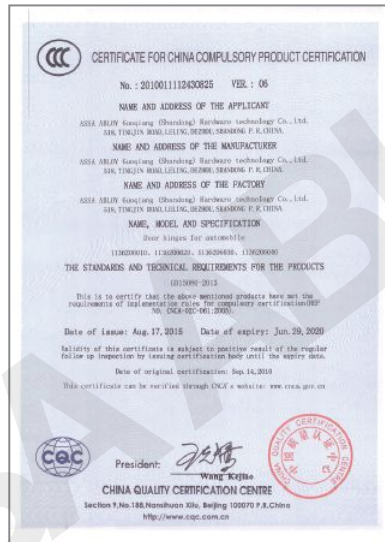


Auto Packing and Scan QR Code





# Enterprise Qualification

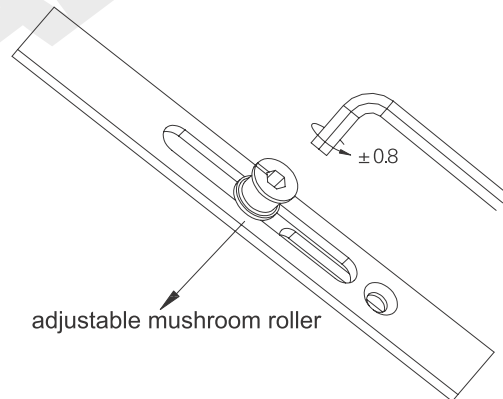
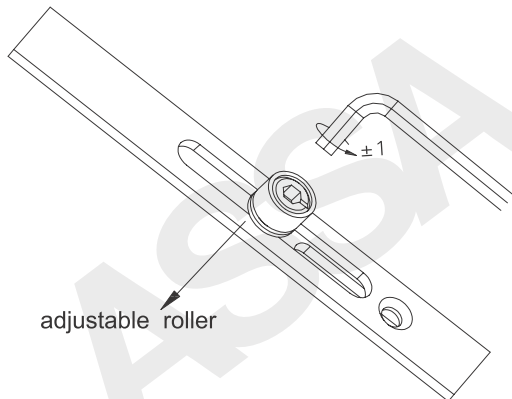


# Contents

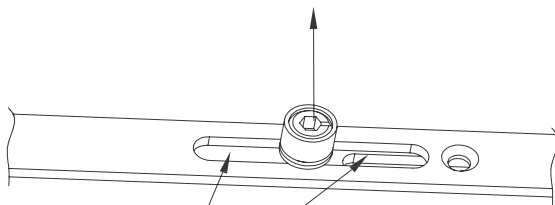
Adjustment instruction .....	08
Hardware for upvc tilt&turn window .....	09-12
Hardware for upvc inward open window .....	13-16
Hardware for fire rated inward open window .....	17-18
Hardware for fire rated tilt & turn window .....	19-20
Hardware for double sash window .....	21
Espagnolette for inward open window .....	22-23
Transmission gear .....	24
Corner .....	25
Corner , balance stay and mishandling device .....	26
Extension bar .....	27
T & T hinge and center lock .....	28
Ventilation part and fixtures .....	29
Window hinge .....	30-35
Window handle .....	36-37
T & T keeper .....	38
Window Keeper .....	39-41
Hardware for outward open window .....	42
Espagnolette for outward open window .....	43-48
Friction hinge .....	49-54
Friction stay .....	55
Parallel window hinge .....	56
Window handle .....	57-59
Hardware for sliding window .....	60
Espagnolette for sliding window .....	61-62
Pop-up handle .....	63
Touch lock .....	64
Crescent lock and hooks .....	65-67
Roller .....	68-72
Sliding door lock .....	73-76
Door lock .....	77-81
Patio door Accessories .....	82-84
Awning window operator system .....	85
Casement window operator system .....	86
Window balance .....	87
Door hinge .....	88
Door shootbolt .....	89
Door handle .....	90-93
Accessories .....	94-98
Sales network .....	99



**ADJUSTMENT INSTRUCTION**

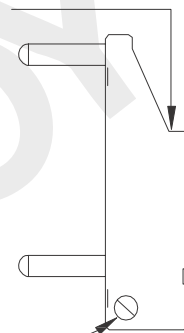


adjusted by 4mm allen key



lubricate here once a year

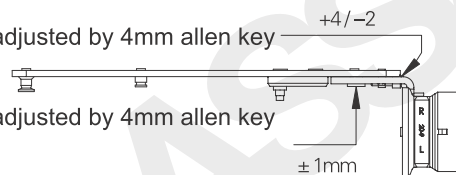
adjusted by 4mm allen key  
(+2 / -1.5)



adjusted by screw driver

adjusted by 4mm allen key +4/-2

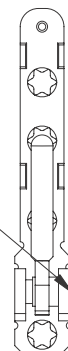
adjusted by 4mm allen key

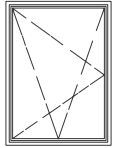


$\pm 1\text{mm}$

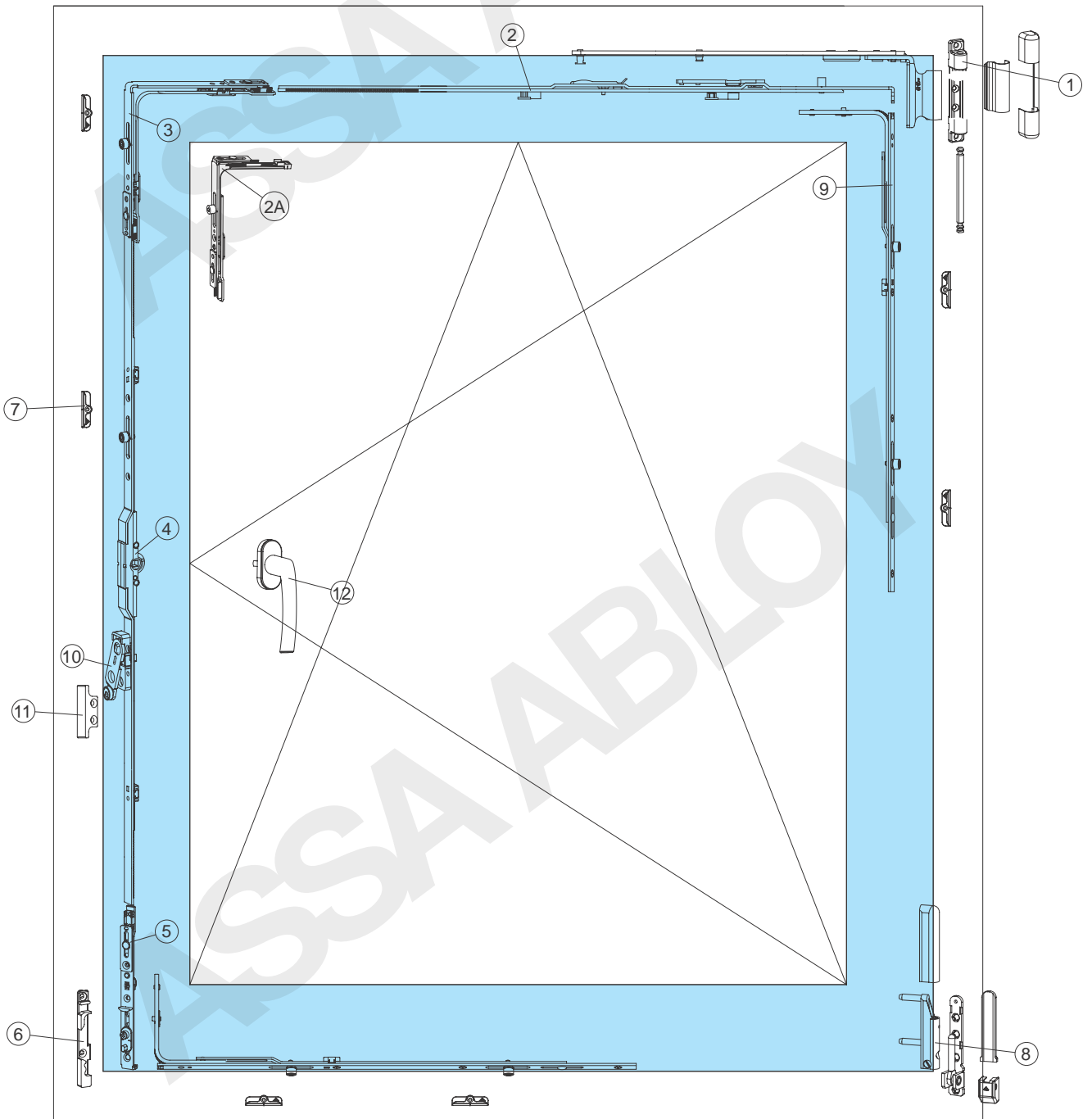
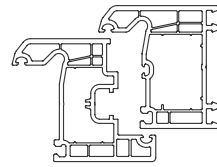
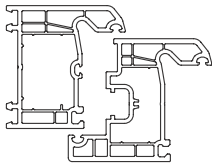
adjusted by 4mm allen key

$\pm 2\text{mm}$

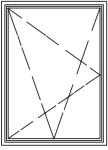




**HARDWARE FOR UPVC TILT&TURN WINDOW(12/20-9 SERIES)**







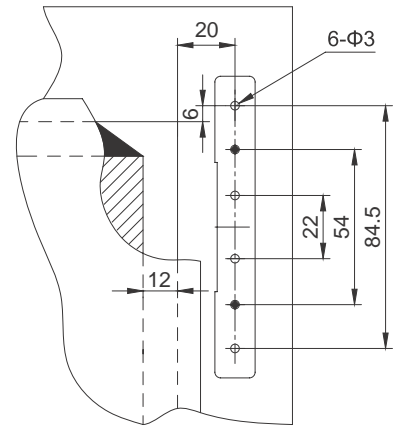
**HARDWARE FOR UPVC TILT&TURN WINDOW (12/20-9, backset: 7.5mm)**

Note:

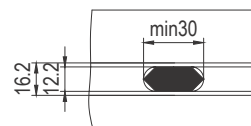
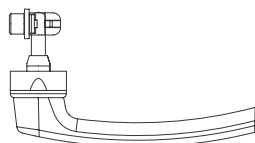
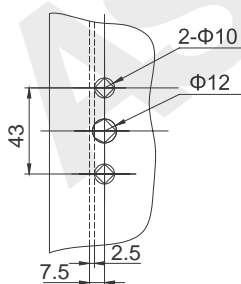
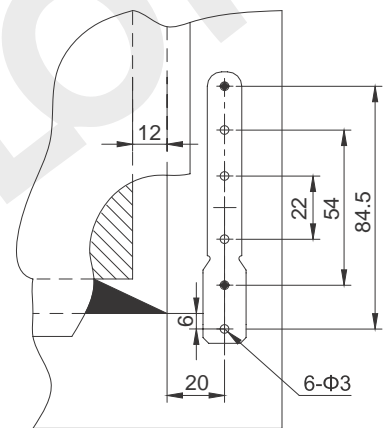
- 1.Suitable for UPVC window with standard 12-20-9 U type Euro-slot
- 2.For window sash exceeds 1300mm, please use balance stay (see page 22)

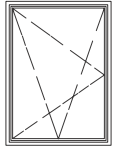
No.	Name	Item No.	Spec.	Lock Point
1	Top Hinge Parts	SSJ12		
2	T&T Hinge (9mm)	SPX0924050	401-500	
		SPX0924075	501-750	
		SPX0924100	751-1000	1
		SPX0924125	1001-1200	1
		SPX0924150	1201-1500	1
3	Corner	SZJ0516161.1		1
4	Transmission Gear (BS:7.5mm)	SLDA100700.2	621-700	
		SLDA111001	701-1000	1
		SLDA111401	1001-1400	1
		SLDA111802	1401-1800	2
		SLDA112202	1801-2200	2
5	Bottom Corner	SZC05		
6	T&T Keeper	E4127/E4128	L/R	
7	Keeper	10801		
8	Bottom Hinge	SXJ0012	Φ3*1.7mm	
9	Center Lock	SZS102151.1	215	1
		SZS105301.1	530	1
		SZS105302.1	530	2
		SZS107402.1	740	2
		SZS108902.1	890	2
		SZS1014903.1	1490	3
10	Mishandling Device	MWC006		
11	Keeper for Mishandling Device	DK0609	9mm	
12	Handle	FZ1472130	for more options see page 36-37	

Installation Dimension of Top Hinge

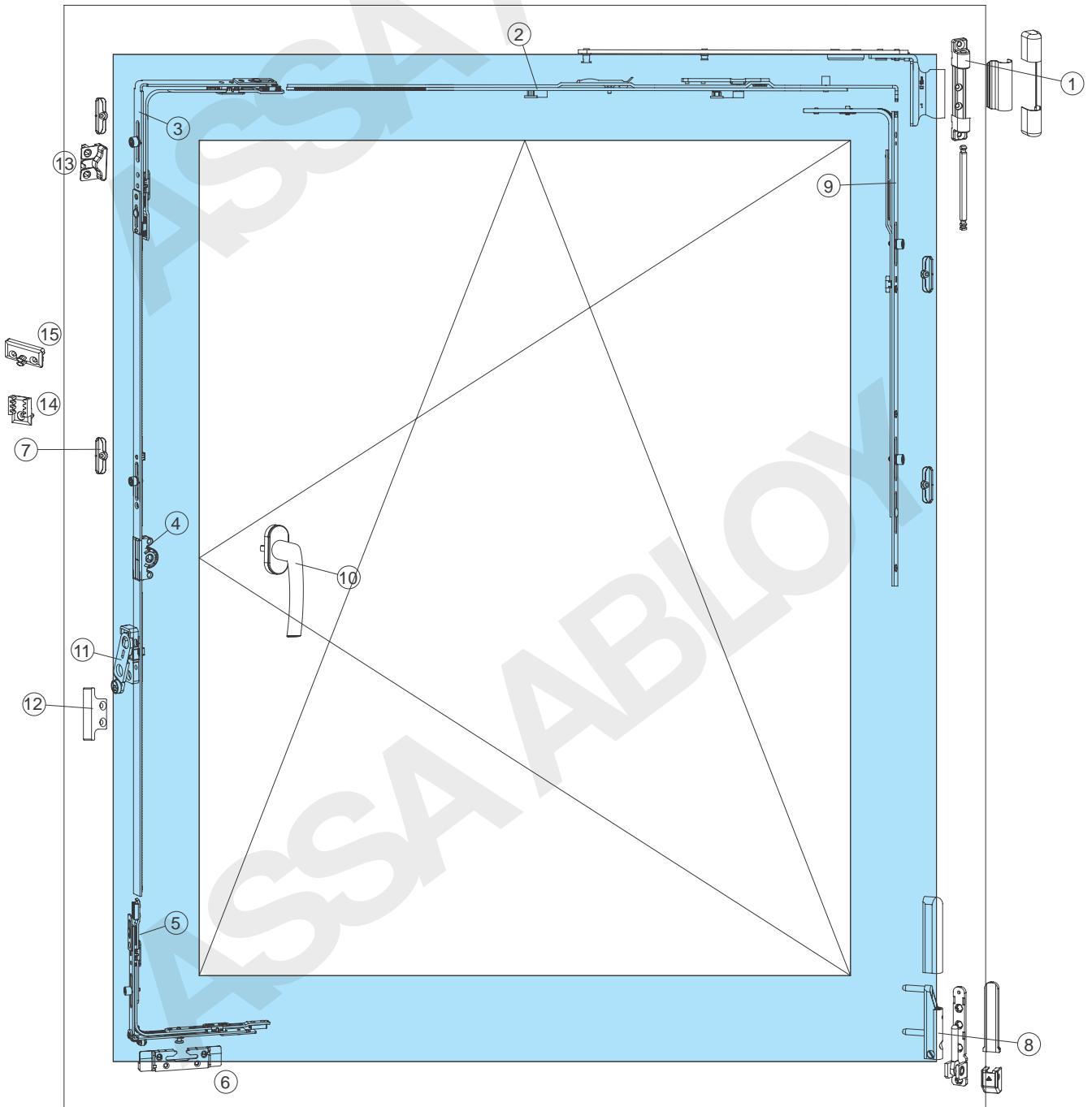
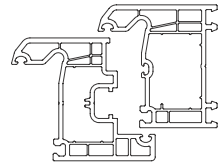
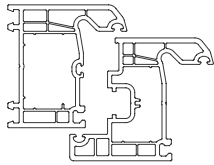


Installation Dimension of Bottom Hinge

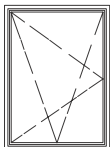




**HARDWARE FOR UPVC TILT&TURN WINDOW (12/20-13 SERIES)**



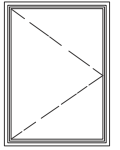



**HARDWARE FOR UPVC TILT&TURN WINDOW (12/20-13, backset: 15mm)**

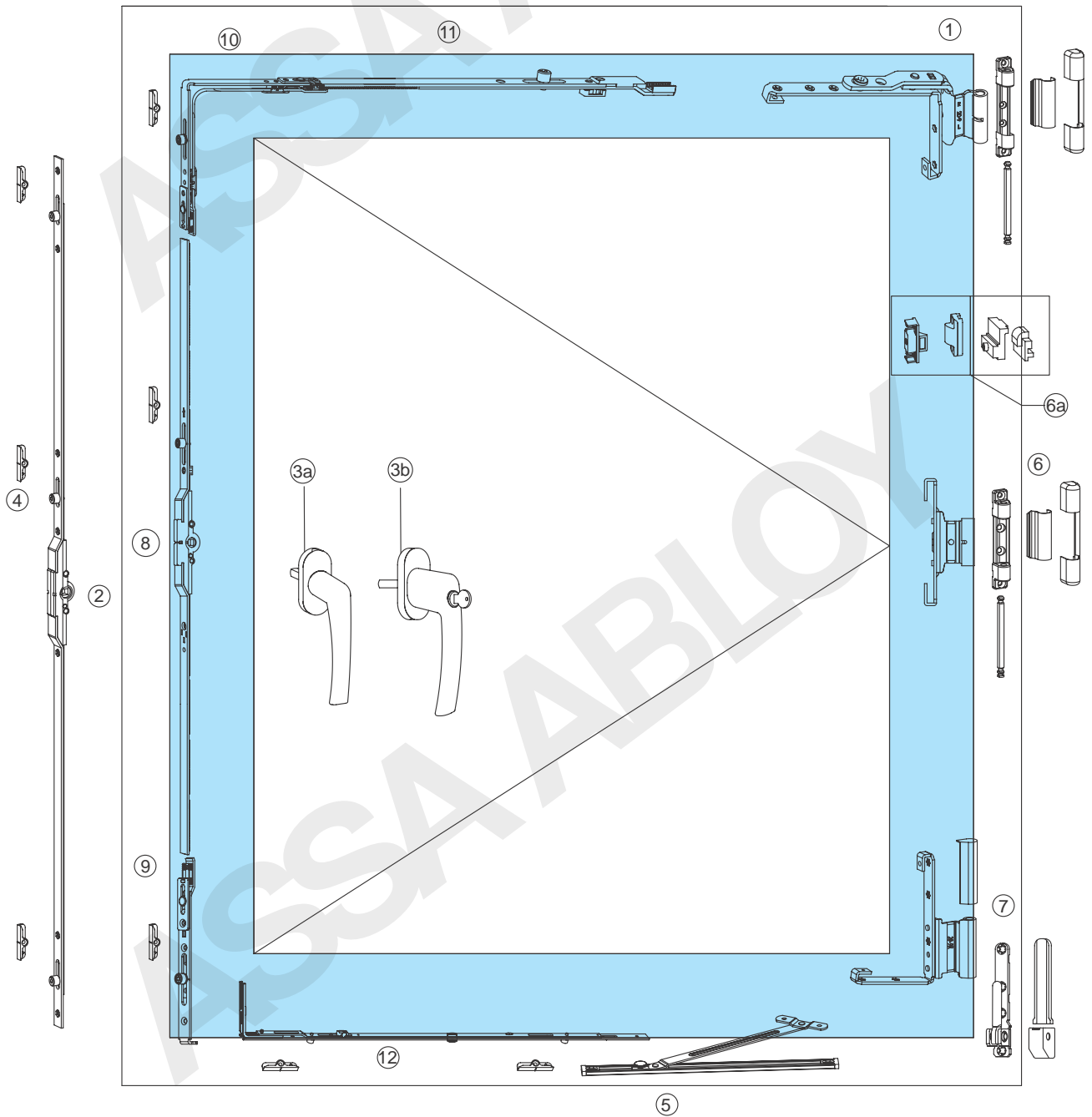
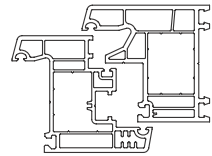
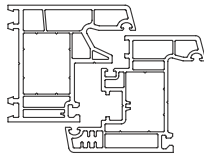
No.	Name	Item No.	Spec.	Lock Point
1	Top Hinge Parts	SSJ12		
2	T&T Hinge (13mm)	SPX1324050	401-500	1
		SPX1324075	501-750	1
		SPX1324100	751-1000	1
		SPX1324125	1001-1250	1
		SPX1324150	1251-1500	1
3	Corner	SZJ0516161.1		
4	Transmission Gear (BS:15mm)	SLDC080700	501-700	
		SLDC081001	701-1000	1
		SLDC081401	1001-1400	1
		SLDC081802	1401-1800	2
		SLDC082202	1801-2200	2
5	Lifting Corner	STQ0116162.3		2
6	Lifting Corner Seat	9-804530	9mm	
		13-804530	13mm	
7	Keeper	10256		
8	Bottom Hinge	SXJ0012		
9	Center Lock	SZS102151.1	215	1
		SZS105301.1	530	1
		SZS105302.1	530	2
		SZS107402.1	740	2
		SZS108902.1	890	2
		SZS1014903.1	1490	3
10	Handle	FZ1472130	for more options see page 36-37	
11	Mishandling Device	MWC006		
12	Keeper for Mishandling Device	DK0613	13mm	
13	Ventilation part	4380	9mm	
		4390	13mm	
14	Ventilation part	4360		Sash part
15	Ventilation part	4361	9mm	Frame part
		4364	13mm	Frame part

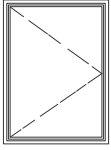
**Notes:**

1. Suitable for UPVC window with U type euro-slot.
2. Suitable for sash width FFB:401mm-1500mm and height FFH:501mm-2300mm.
3. Banlance stay will be needed when sash width is more than 1300mm (see page 26) .



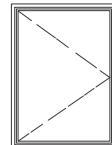
# HARDWARE FOR UPVC INWARD OPEN WINDOW



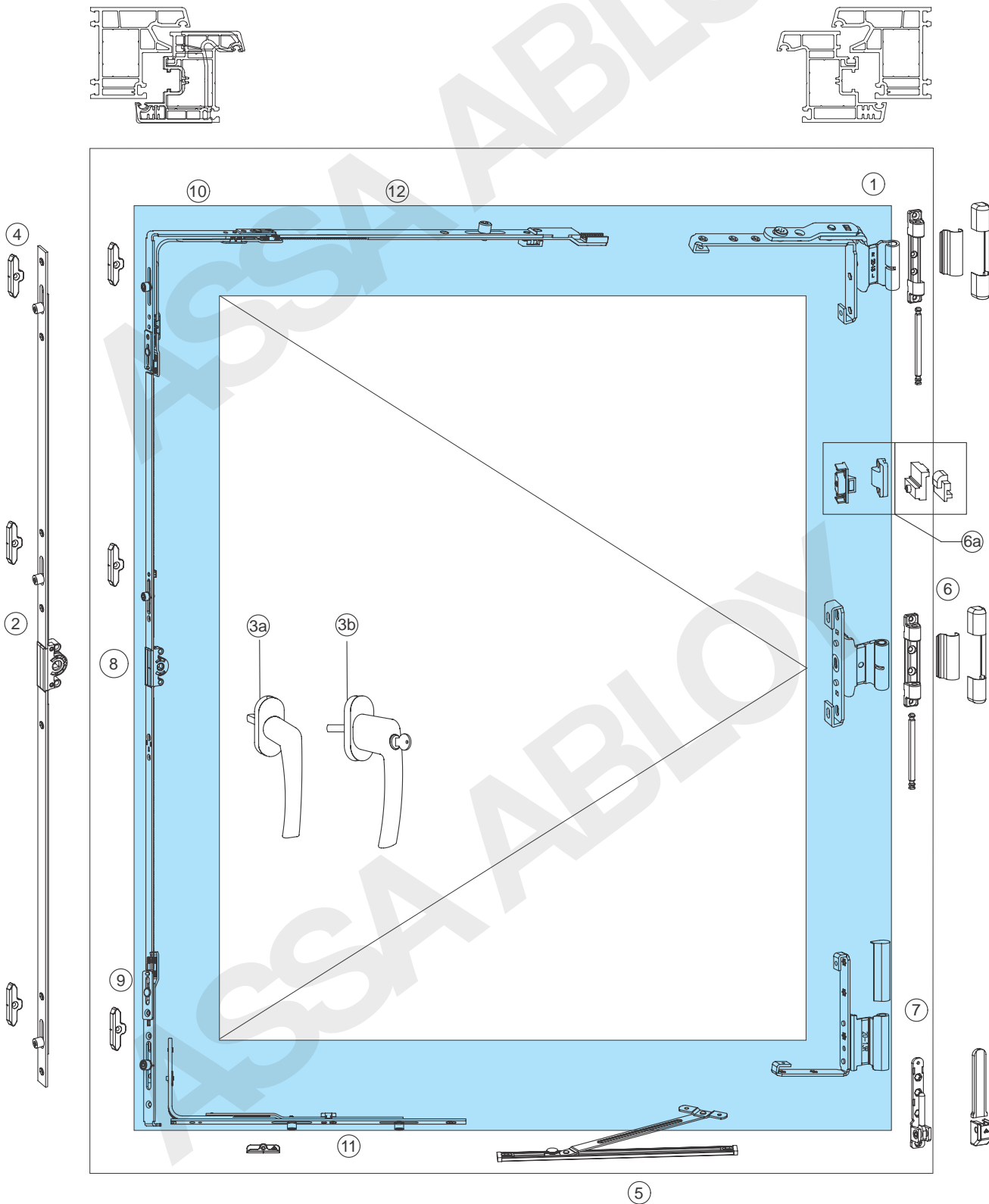

**HARDWARE FOR UPVC INWARD OPEN WINDOW (12/20-9, backset: 7.5mm)**

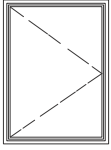
No.	Name	Item No.	Spec.	Lock Point
1	Top Hinge	CSJ10943600	9mm	
2	Espagnolette for Inward Open Window(BS:7.5mm)	CQ12A170242	240	2
		CQ12A17042	400	2
		CQ12A17062	600	2
		CQ12A17082	800	2
		CQ12A17103	1000	3
		CQ12A17123	1200	3
		CQ12A17124	1200	4
		CQ12A17144	1400	4
CQ12A17164	1600	4		
3a	Handle	FZ1472130	for more options see page 36-37	
3b		FZS1172130		
4	Keeper	10801	9mm	
5	Friction Stay	J4E182508~16	8"-16"	
6	Middle Hinge	ZJ10933400	9mm	
6a	Middle Hinge	6180 or ZTK04	9mm	
7	Bottom Hinge	CXJ10943600L/R	9mm	
8	Transmission Gear (BS:7.5mm)	SLDA100700.2	621-700	
		SLDA111001	701-1000	1
		SLDA111401	1001-1400	1
		SLDA111802	1401-1800	2
		SLDA112202	1801-2200	2
9	Turn Window Corner	PSJ01		
10	Corner	SZJ0516161.1		1
11	Extension bar	SYC01040	260-400	1
12	Center Lock	SZS102151.1	215	1
		SZS105301.1	530	1
		SZS105302.1	530	2
		SZS107402.1	740	2
		SZS108902.1	890	2
		SZS1014903.1	1490	3





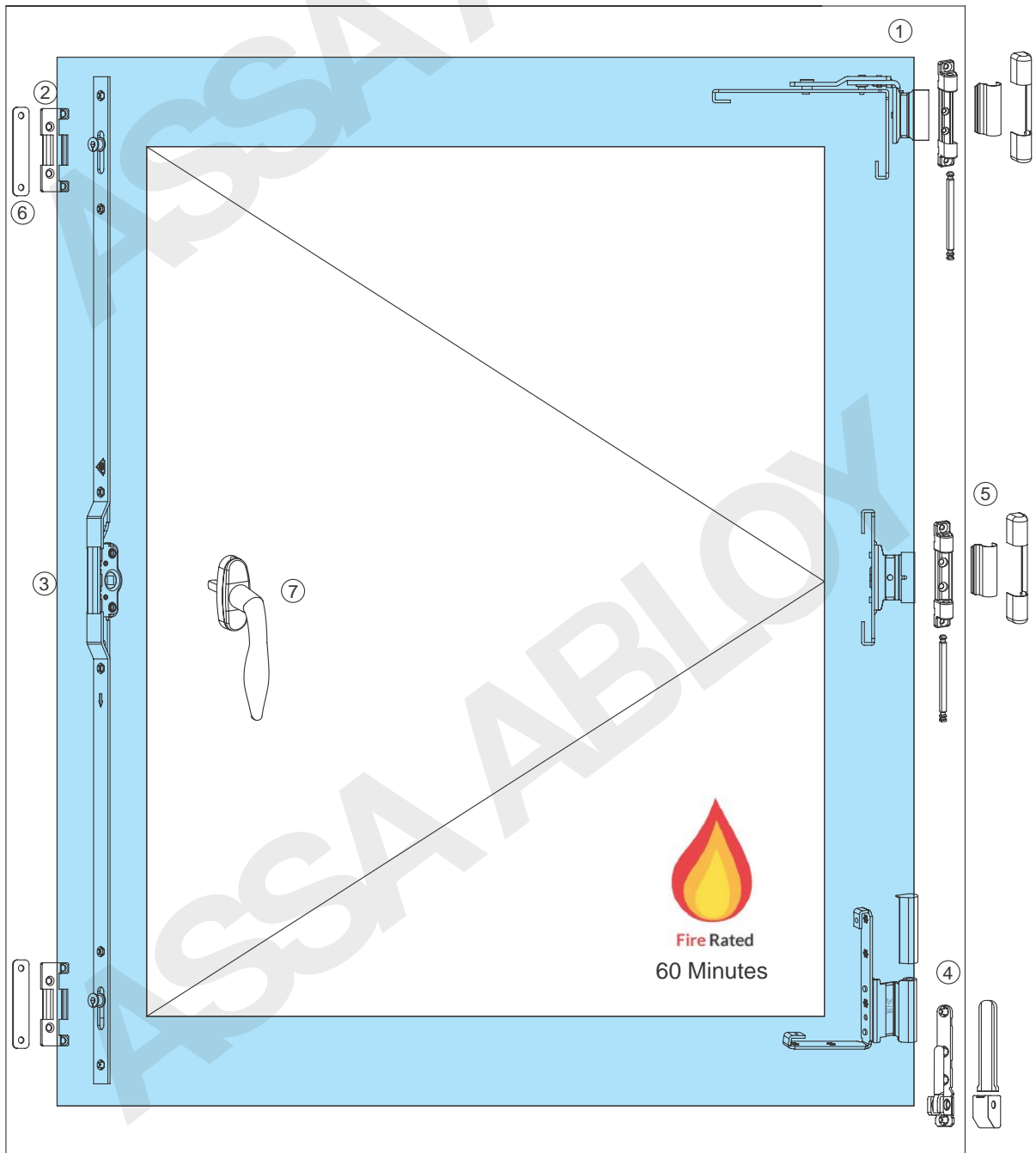
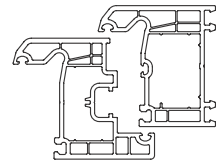
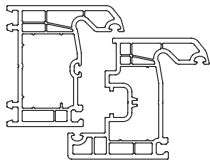
# HARDWARE FOR UPVC INWARD OPEN WINDOW




**HARDWARE FOR UPVC INWARD OPEN WINDOW (12/20-13, backset: 15mm)**

No.	Name	Item No.	Spec.	Lock Point
1	Top Hinge	CSJ11343600	13mm	
2	Espagnolette for Inward open Window (BS:15mm)	CQ12C12042	400	2
		CQ12C12062	600	2
		CQ12C12082	800	2
		CQ12C12103	1000	3
		CQ12C12124	1200	4
		CQ12C12144	1400	4
		CQ12C12164	1600	4
		CQ12C12184	1800	4
		CQ12C12204	2000	4
		CQ12C12224	2200	4
3a	Handle	FZ1062630	for more options see page 36-37	
3b		FZS1172130		
4	Keeper	10256/10256-3		
5	Friction Stay	J4E182508-16	8"-16"	
6	Middle Hinge	ZJ11333400	13mm	
6a	Middle Hinge	6180-1 or ZTK03	13mm	
7	Bottom Hinge	CXJ11343600L/R	13mm	
8	Transmission Gear (Backset:15mm)	SLDC080700	501-700	
		SLDC081001	701-1000	1
		SLDC081401	1001-1400	1
		SLDC081802	1401-1800	2
		SLDC082202	1801-2200	2
9	Turn Window Corner	PSJ01		
10	Corner	SZJ0516161.1		1
11	Center Lock	SZS102151.1	215	1
		SZS105301.1	530	1
		SZS105302.1	530	2
		SZS107402.1	740	2
		SZS108902.1	890	2
		SZS1014903.1	1490	3
12	Extension Bar	SYC01040	260-400	1

**HARDWARE FOR FIRE RATED INWARD OPEN WINDOW**





**HARDWARE FOR FIRE RATED INWARD OPEN WINDOW (12-20-09, backset: 7.5mm)**

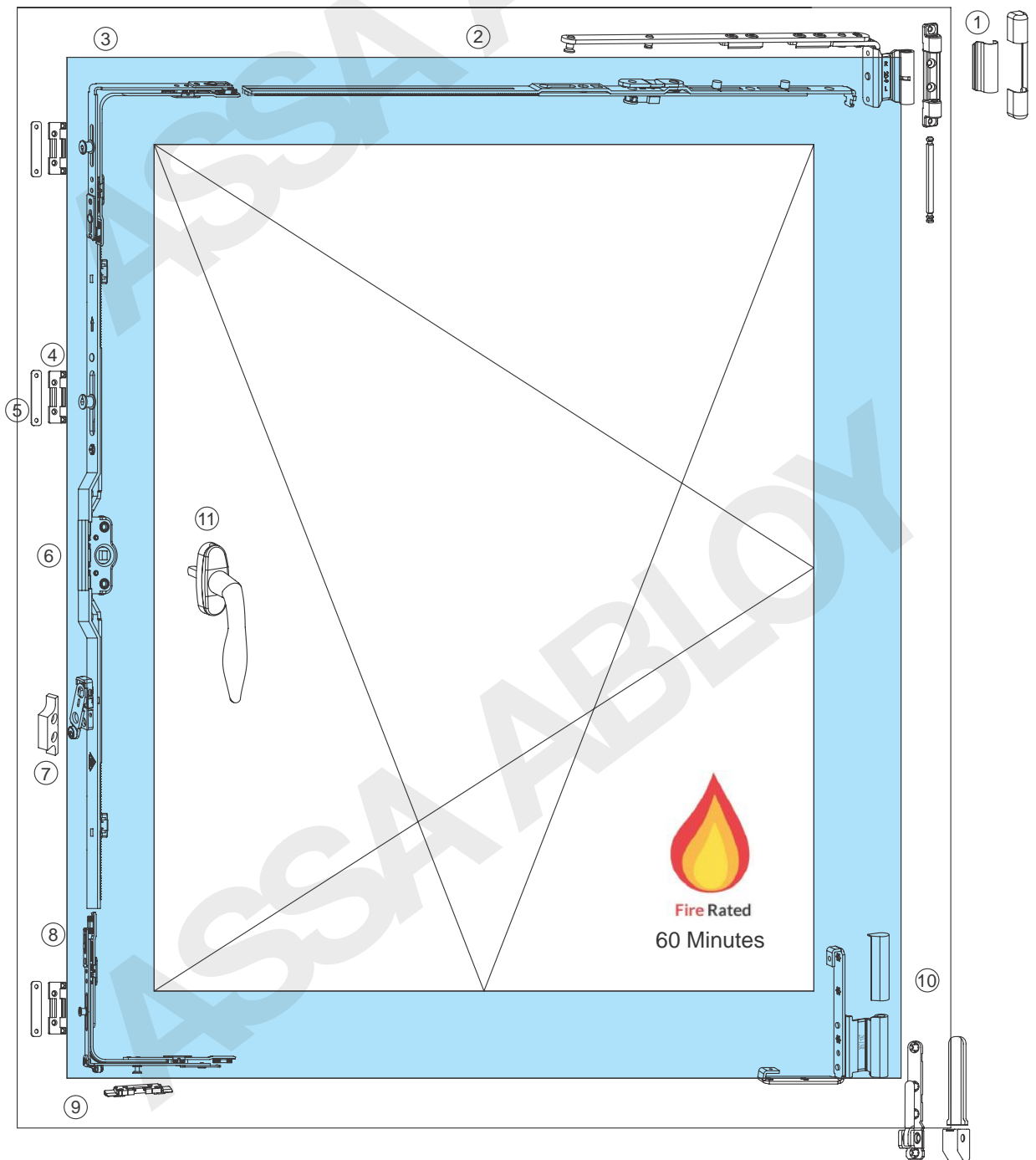
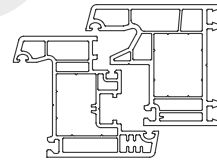
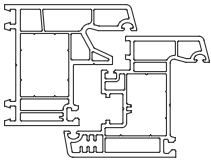
Fire Rating 60Minutes

No.	Name	Item Code	Qty.	Spec.	Lock Points	Note
1	Top Hinge	CSJ10943600	1	9mm		
2	Keeper	SXK040-01	same quantity as lock points			
3	Inward Open Gear	CQ12A30082	2	800	2	
		CQ12A30103	3	1000	2	
		CQ12A30123	3	1200	2	
		CQ12A30124	4	1200	3	
		CQ12A30144	4	1400	4	
4	Bottom Hinge	CXJ10943600L/R	1			
5	Center Hinge	ZJ10933400	1			
6	Packer for Keeper	SXK040-02				check profile
7	Handle	FZ13221XX	spindle length is depend on the profile			

Note:

1. Fire-rated parts are made of cast stainless steel 304, which has a high melting degree of 1500 C ;
2. Anti-burglar lock points to achieve a better safety window;
3. Both top and bottom hinge are three dimensional adjustable;
4. Conform to national standard of Code of Fire Protection Design of Buildings GB50016-2014.

## HARDWARE FOR FIRE RATED TILT & TURN WINDOW



**HARDWARE FOR FIRE RATED TILT & TURU WINDOW (12-20-09, backset: 7.5mm)**

Fire Rating 60Minutes

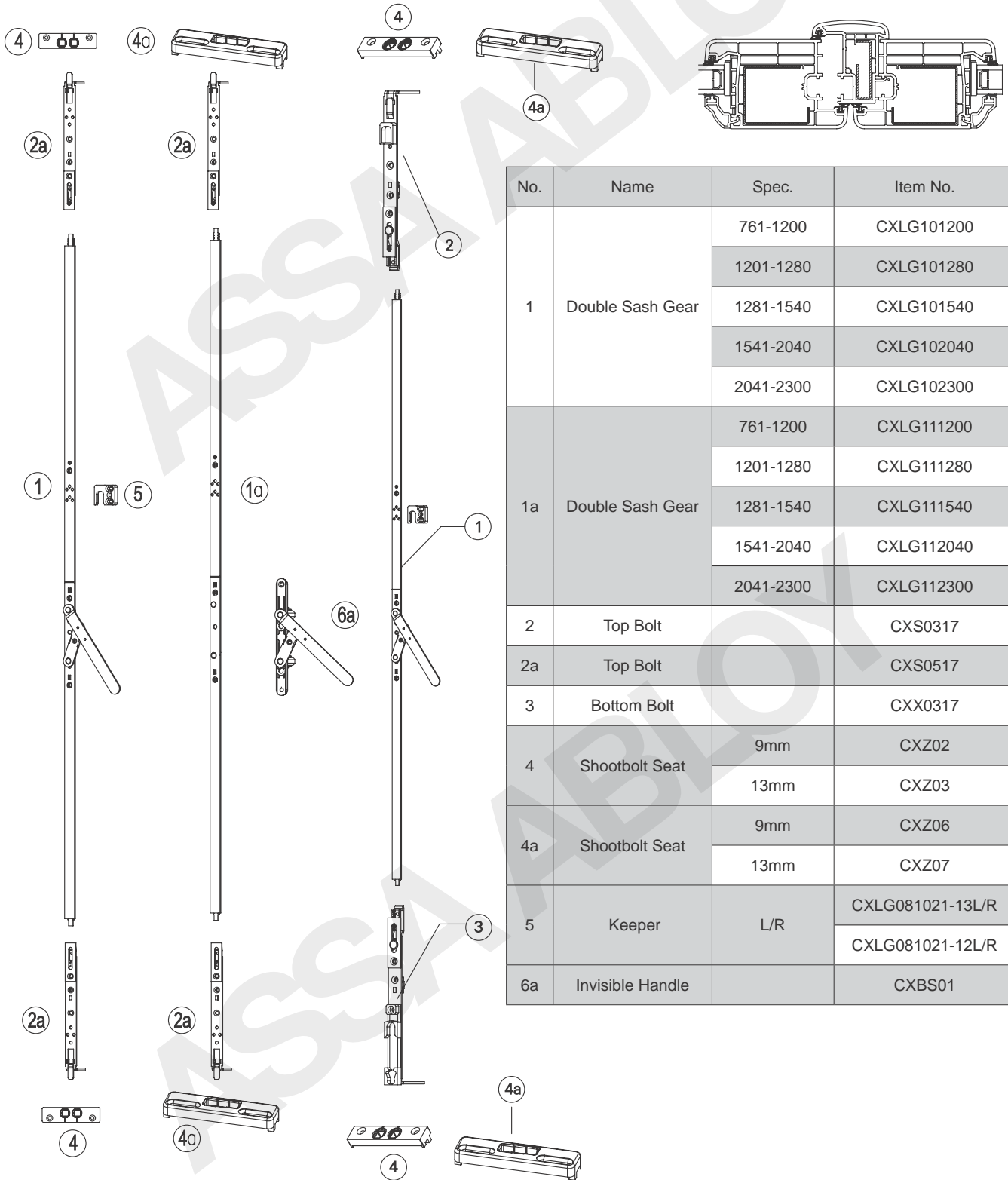
No.	Name	Item Code	Qty.	Spec.	Qty.	Note
1	Top Hinge Parts	SSJ12	1		/	
2	Tilt & Turn Hinge	SPX0924050	1	401-500	/	
		SPX0924075	1	501-750	/	
		SPX0924100	1	751-1000	1	
		SPX0924125	1	1001-1250	1	
		SPX0924150	1	1251-1500	1	
3	Corner	SZJ0516161.2	1	160X160	1	
4	Keeper	SXK040-01	same quantity as the lock points			
5	Packer	SXK040-02	not necessary			
6	T&T Transmission Gear	SLDA131001	1	701-1000	1	
		SLDA131401	1	1001-1400	1	
7	Mishandling Device	MWC006	1			
7	Keeper	DK0609	1			
8	Sash Lift Corner	STQ0116162.4	1			
9	Corner Seat	9-804530	1			
10	Bottom Hinge	CXJ10943600L/R	1			Left or Right
11	Handle	FZ13221XX	1	spindle length is depend on the profile		

**Note:**

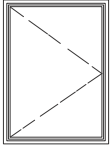
1. Fire-rated parts are made of cast stainless steel 304, which has a high melting degree of 1500 C ;
2. Anti-burglar lock points to achieve a better safety window;
3. Both top and bottom hinge are three dimensional adjustable;
4. Conform to national standard of Code of Fire Protection Design of Buildings GB50016-2014.
5. This system is combined with misuse prevent device.



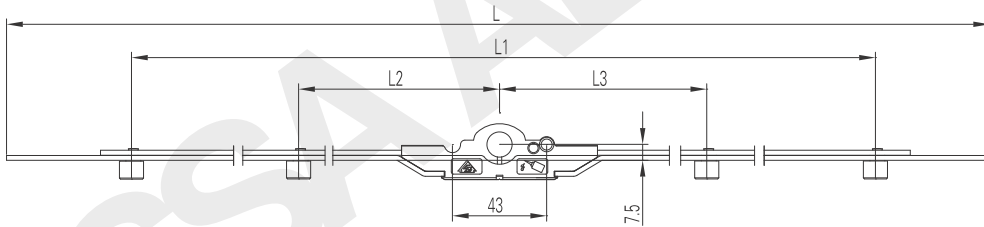
**HARDWARE FOR DOUBLE SASH WINDOW**



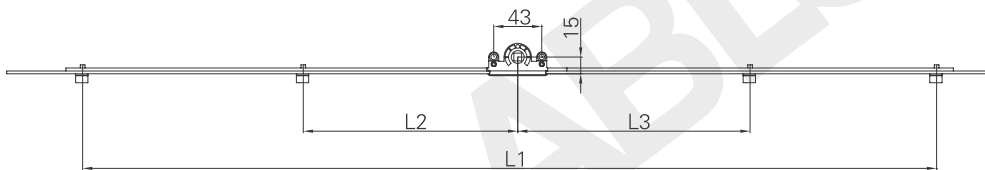
No.	Name	Spec.	Item No.
1	Double Sash Gear	761-1200	CXLG101200
		1201-1280	CXLG101280
		1281-1540	CXLG101540
		1541-2040	CXLG102040
		2041-2300	CXLG102300
1a	Double Sash Gear	761-1200	CXLG111200
		1201-1280	CXLG111280
		1281-1540	CXLG111540
		1541-2040	CXLG112040
		2041-2300	CXLG112300
2	Top Bolt		CXS0317
2a	Top Bolt		CXS0517
3	Bottom Bolt		CXX0317
4	Shootbolt Seat	9mm	CXZ02
		13mm	CXZ03
4a	Shootbolt Seat	9mm	CXZ06
		13mm	CXZ07
5	Keeper	L/R	CXLG081021-13L/R
			CXLG081021-12L/R
6a	Invisible Handle		CXBS01



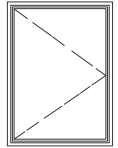
**ESPAGNOLETTE FOR INWARD OPEN WINDOW**



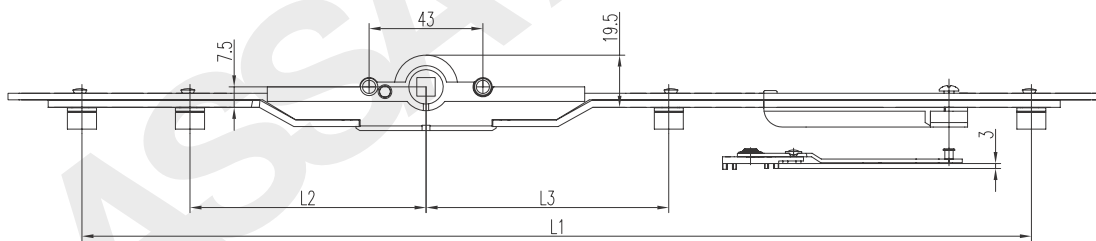
No.	Name	Item No.	L	L1	L2	L3
1	Espagnolette for Inward Open Window (BS: 7.5mm)	CQ12A170242	240	195	\	\
2		CQ12A17042	400	280	\	\
3		CQ12A17062	600	480	\	\
4		CQ12A17082	800	680	\	\
5		CQ12A17103	1000	800	115	\
6		CQ12A17123	1200	1080	135	\
7		CQ12A17124	1200	1080	135	135
8		CQ12A17144	1400	1280	135	135
9		CQ12A17164	1600	1480	200	200



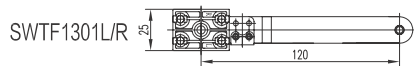
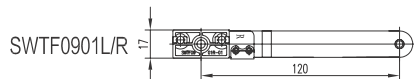
No.	Name	Spec.	Item No.	L1	L2	L3
1	Espagnolette for Inward Open Window (Backset:15mm)	400	CQ12C12042	280	/	/
2		600	CQ12C12062	480	/	/
3		800	CQ12C12082	680	/	/
4		1000	CQ12C12103	880	115	/
5		1200	CQ12C12124	1040	135	135
6		1400	CQ12C12144	1240	135	135
7		1600	CQ12C12164	1440	200	200
8		1800	CQ12C12184	1640	200	200
9		2000	CQ12C12204	1840	200	200
10		2200	CQ12C12224	2040	200	200



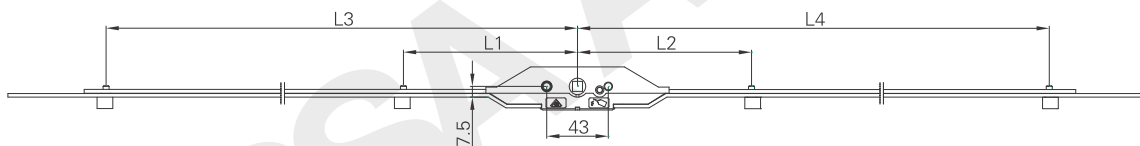
## ESPAGNOLETTE FOR INWARD OPEN WINDOW



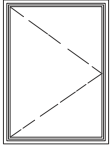
Name	Backset	Spec.	Ltem No.	L1	L2	L3
Bidirectional Ventilation Espagnolette	7.5mm	800	CQ12A19082	680	/	/
		1000	CQ12A19103	880	/	165
		1200	CQ12A19123	1080	/	165
		1200	CQ12A19124	1080	165	165
		1400	CQ12A19144	1280	165	165



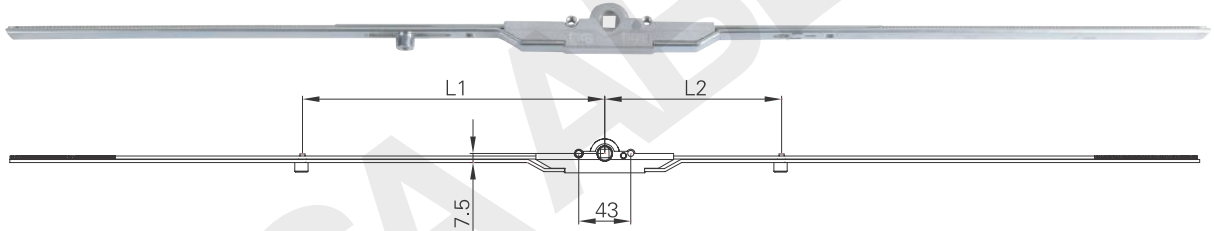
No.	Name	Ltem No.	Profile
1	Ventilation Frame Part	SWTF0901L/R	9mm
2		SWTF1301L/R	13mm



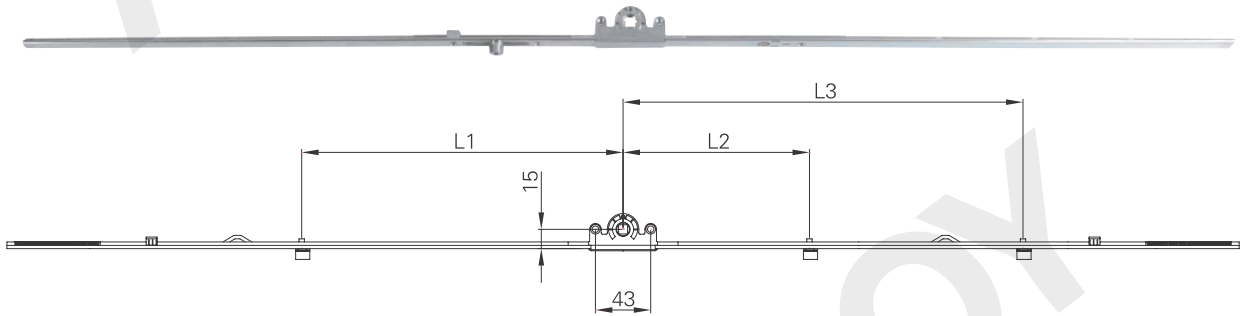
Name	Backset	Dimension				Item No.	Spec.(mm)
		L1	L2	L3	L4		
Bidirectional Espagnolette	7.5mm	/	/	140	140	CQ12A16042	400
		/	/	240	240	CQ12A16062	600
		/	/	340	340	CQ12A16082	800
		115	/	440	440	CQ12A16103	1000
		135	/	540	540	CQ12A16123	1200
		135	135	540	540	CQ12A16124	1200
		135	135	640	640	CQ12A16144	1400



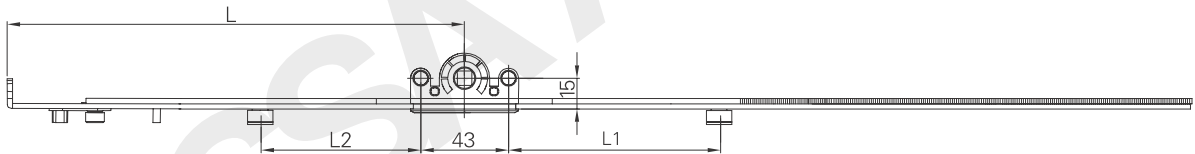
**TRANSMISSION GEAR**



No.	Name	Spec.	Item No.	L1	L2
1	Transmission Gear (Backset:7.5mm)	621-700	SLDA100700.2	/	/
2		701-1000	SLDA111001	115	/
3		1001-1400	SLDA111401	115	/
4		1401-1800	SLDA111802	145	250
5		1801-2200	SLDA112202	145	250

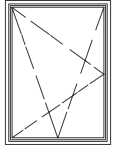


No.	Name	Spec.	Item No.	L1	L2	L3
1	Transmission Gear (Backset:15mm)	501-700	SLDC080700	/	/	/
2		701-1000	SLDC081001	/	99	/
3		1001-1400	SLDC081401	/	99	/
4		1401-1800	SLDC081802	250	145	/
5		1801-2200	SLDC082202	408.5	145	470

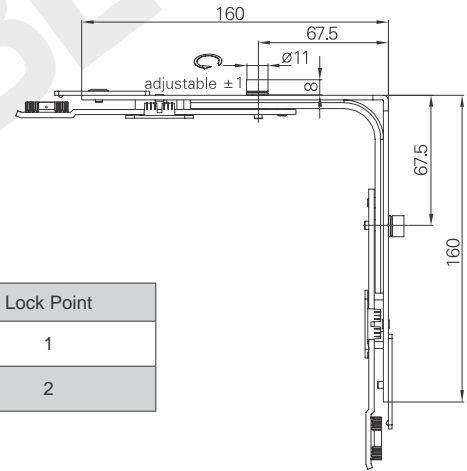


No.	Name	Spec.	Item No.	L	L1	L2
1	Transmission Gear (Backset:15mm) Handle In The Fixed Position	500-740	SLDC020740	200	/	/
2		741-1000	SLDC021000	400	/	/
3		1001-1260	SLDC021261	500	140	/
4		1261-1520	SLDC021521	600	125	/
5		1521-1780	SLDC021781	600	170	/
6		1781-2040	SLDC022042	980	140	445
7		2041-2300	SLDC022302	980	150	445

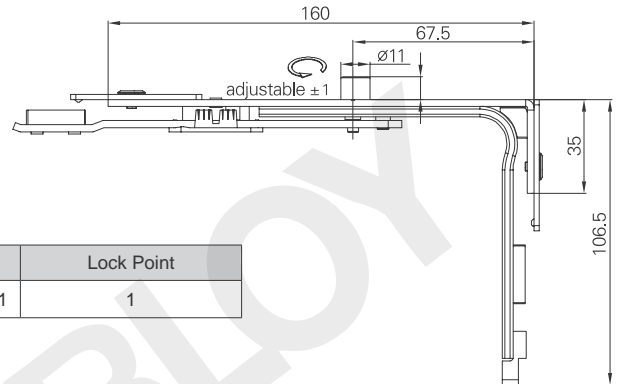




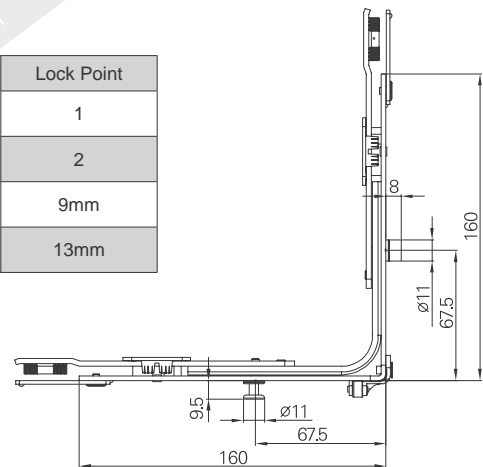
**CORNER**



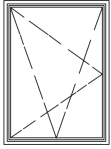
Name	Item No.	Lock Point
Corner	SZJ0516161.1	1
Corner	SZJ0516162.1	2



Name	Item No.	Lock Point
Corner	SZJ0235161.1	1



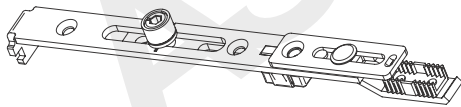
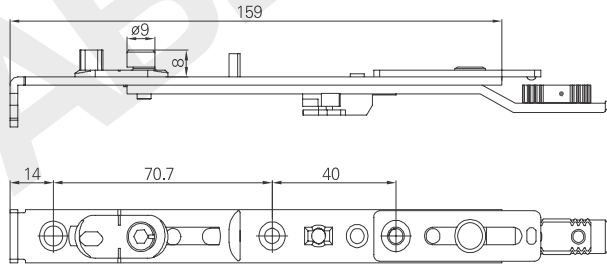
Name	Item No.	Lock Point
Lifting Corner	STQ0116161.3	1
Lifting Corner	STQ0116162.3	2
Seat	9-804530	9mm
Seat	13-804530	13mm



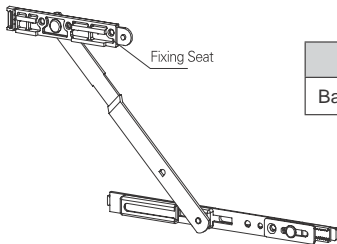
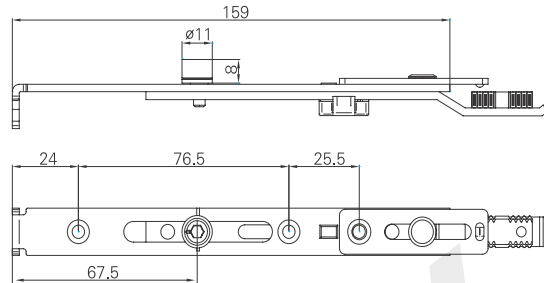
CORNER, BALANCE STAY & MISHANDLING DEVICE



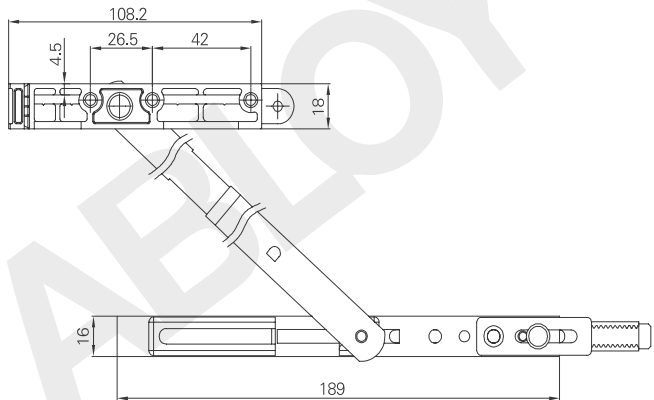
Name	Item No.
Bottom Corner	SZC05
Bottom Corner Connector	XGK02



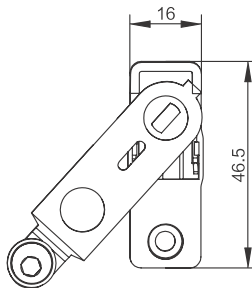
Name	Item No.
Turn Window Corner	PSJ01



Name	Item No.
Balance Stay	SLG0001



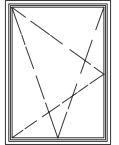
Name	Item No.
Misoperation	MWC006



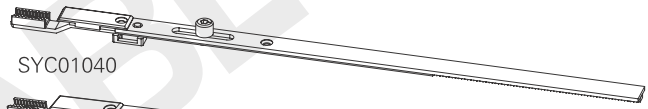
DK0613(13mm)



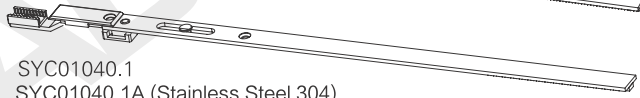
DK0609(9mm)



**EXTENSION BAR**

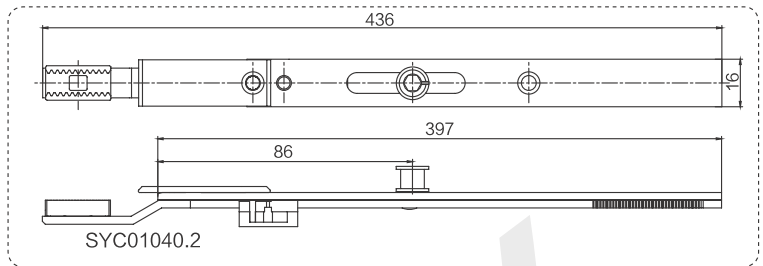
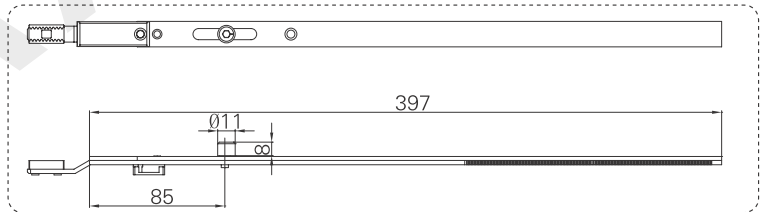


SYC01040

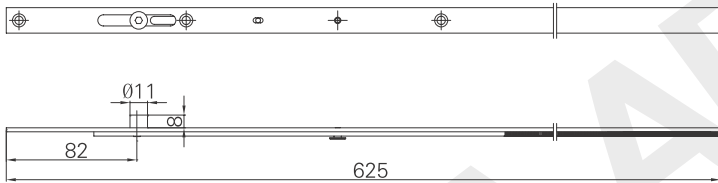


SYC01040.1  
SYC01040.1A (Stainless Steel 304)

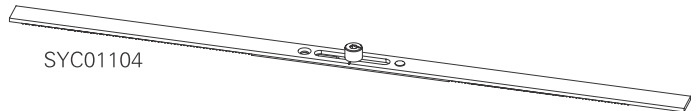
Name	Item No.	Size	Lock Point
Extension bar	SYC01040.1	260-400	0
Extension bar	SYC01040 (5320)	260-400	1
Extension bar	SYC01040.1A	260-400 SS304	1
Extension bar	SYC01040.2	260-400	1



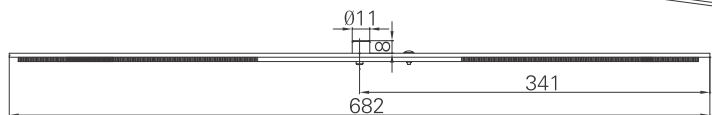
SYC01785



Name	Item No.	Size	Lock Point
Extension bar	SYC01785 (X5340)	535-785	1

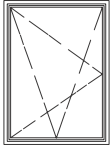


SYC01104

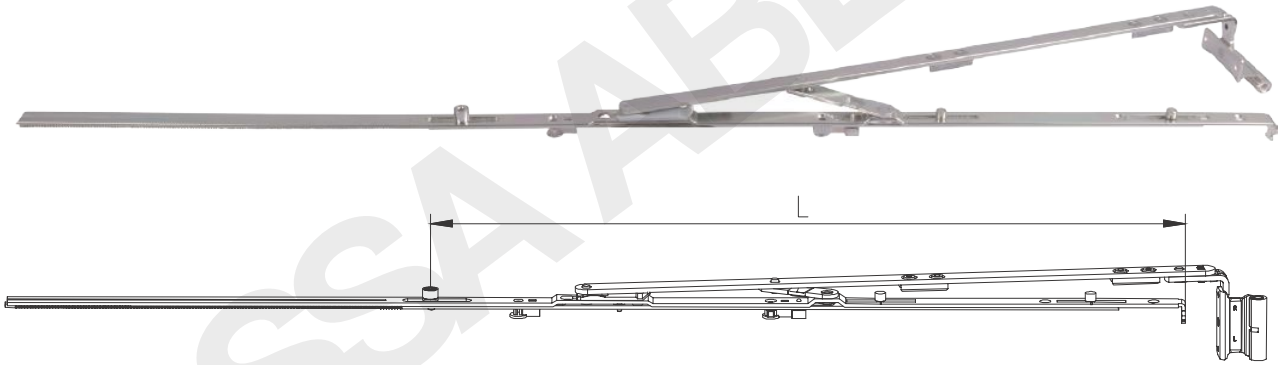


Name	Item No.	Size	Lock Point
Extension bar	SYC01104 (5330)	520-1040	1

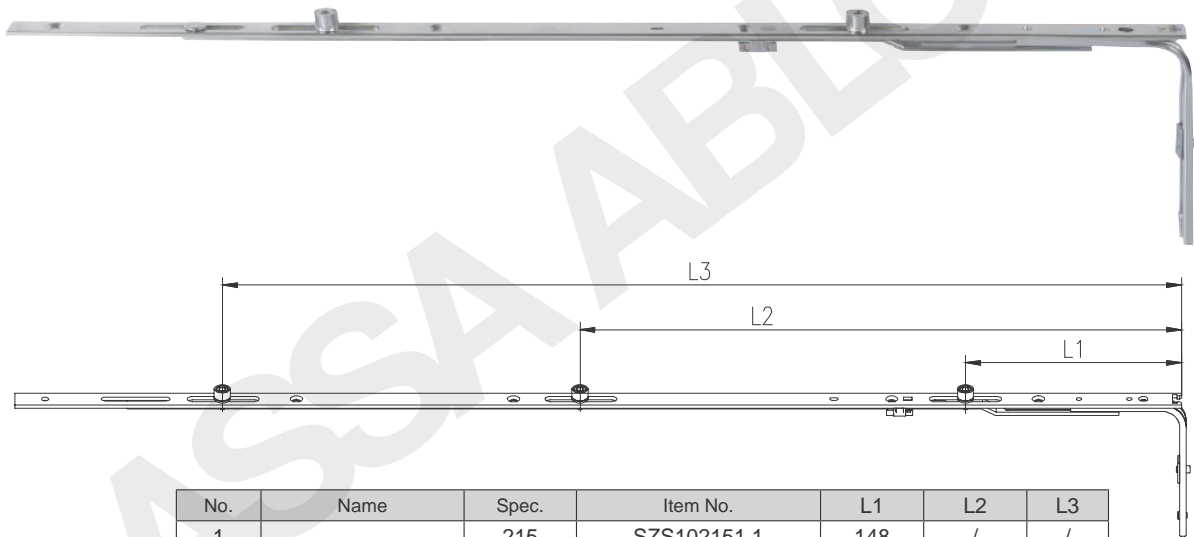




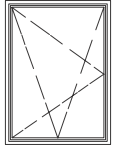
**T&T HINGE AND CENTER LOCK**



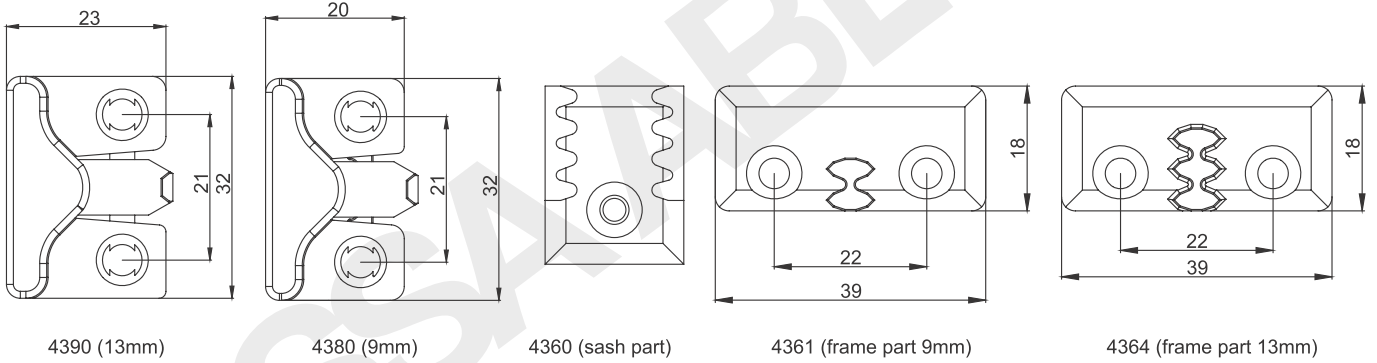
No.	Name	Spec.	Item No.	Hinge Size	L
1	T&T Hinge	401-600	SPX0924050	9mm	/
			SPX1324050	13mm	/
2		601-800	SPX0924075	9mm	/
			SPX1324075	13mm	/
3		801-1000	SPX0924100	9mm	537
4	1001-1200	SPX0924125	9mm	537	
		SPX1324125	13mm		
5	1201-1500	1201-1500	SPX0924150	9mm	701
			SPX1324150	13mm	



No.	Name	Spec.	Item No.	L1	L2	L3
1	Center Lock	215	SZS102151.1	148	/	/
2		530	SZS105302.1	148	388	/
3		740	SZS107402.1	148	598	/
4		890	SZS108902.1	148	748	/
5		1490	SZS1014903.1	148	748	1348



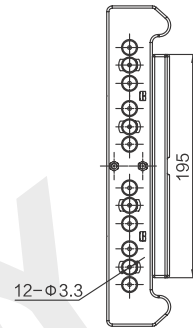
**VENTILATION PART / FIXTURES**



● **KMSSJ08**



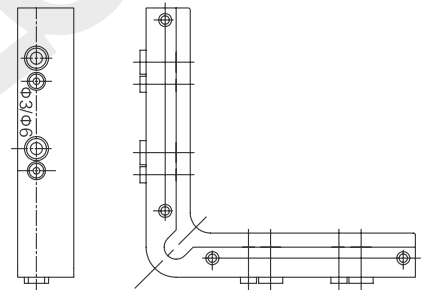
Name	Item No.	Applied for Top and Bottom Hinges
Fixture	KMSSJ08	CSJ10943600, CSJ11343600, CXJ10943600L/R, CXJ11343600L/R



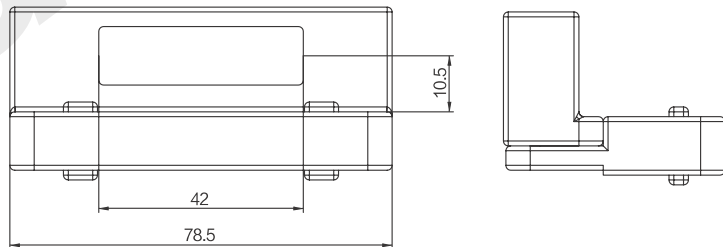
● **KMSXJ0012**



Name	Item No.	Applied for Bottom Hinges
Fixture	KMSXJ0012	SXJ0012



● **KMZJ10030200**

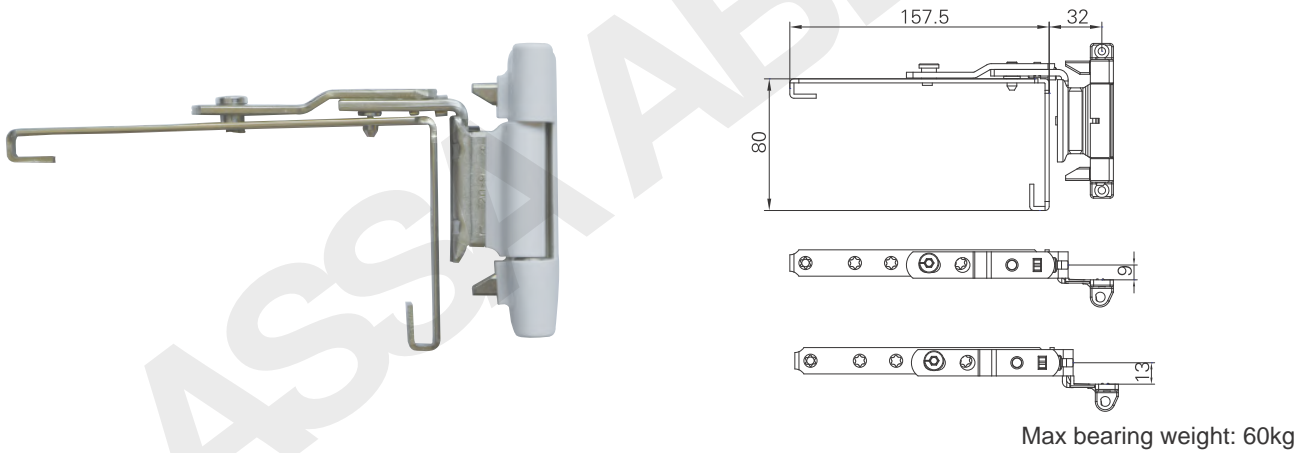


Name	Item No.	Applied for Bottom Hinges
Fixture	KMZJ10030200	ZJ10030200

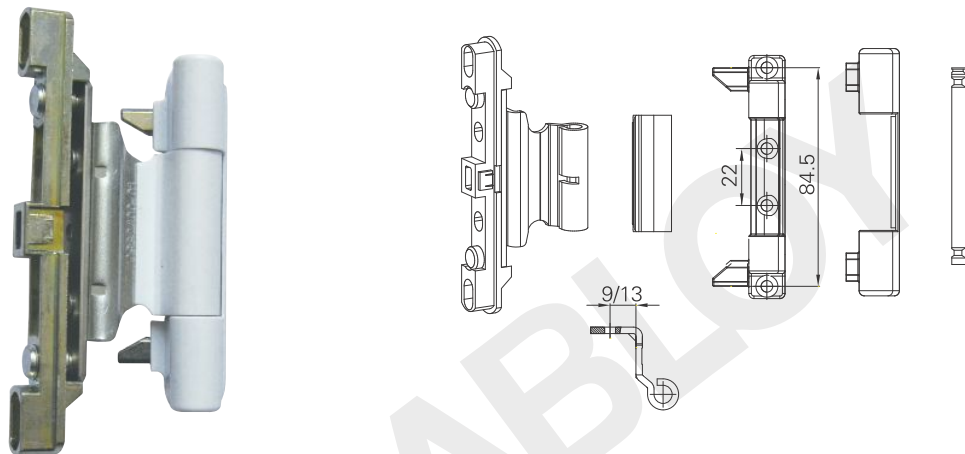


**WINDOW HINGE (FIXTURE FREE)**

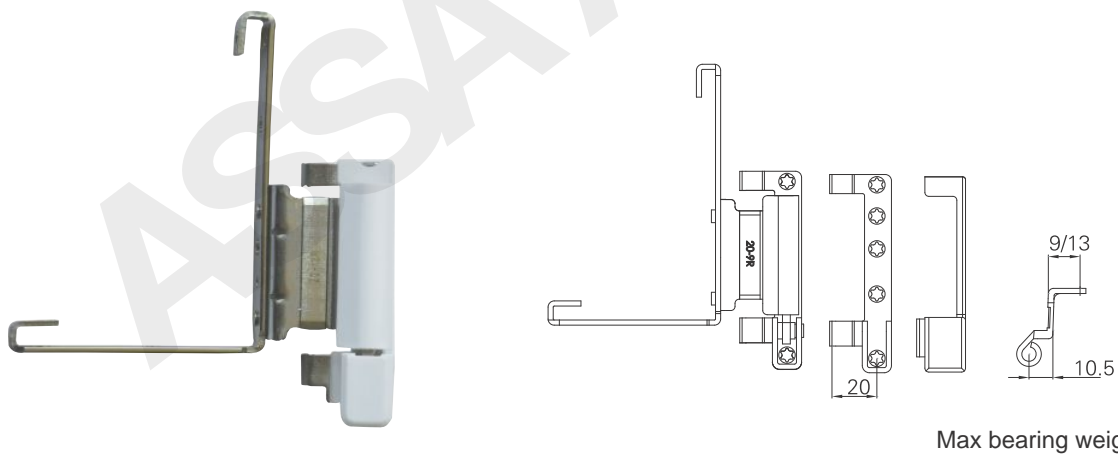
- CSJ10942000 (x) (9mm) / CSJ11342000 (x) (13mm)



- ZJ10932500 (9mm) / ZJ11332500 (13mm)

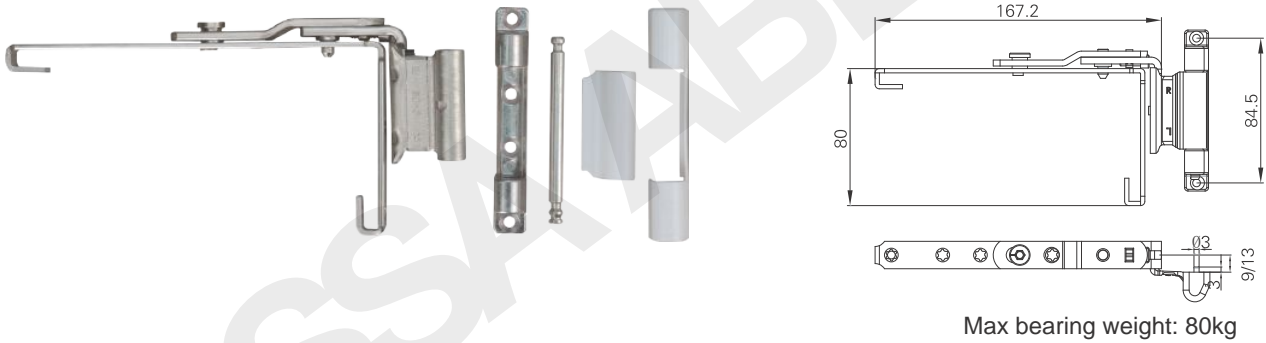


- CXJ10942000 (x) L/R (9mm) / CXJ11342000 (x) L/R (13mm)

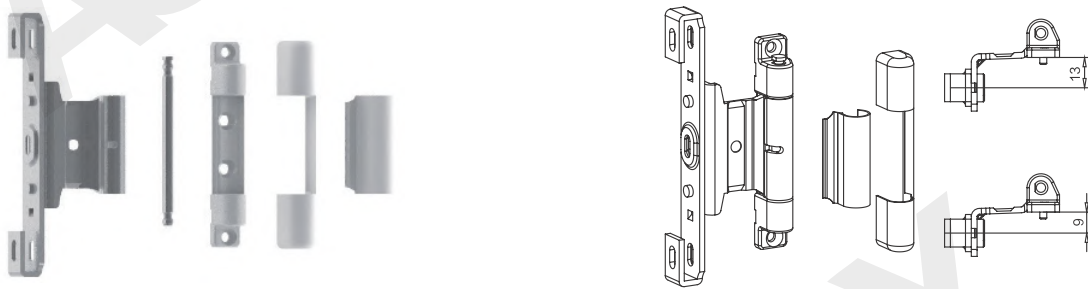


**WINDOW HINGE**

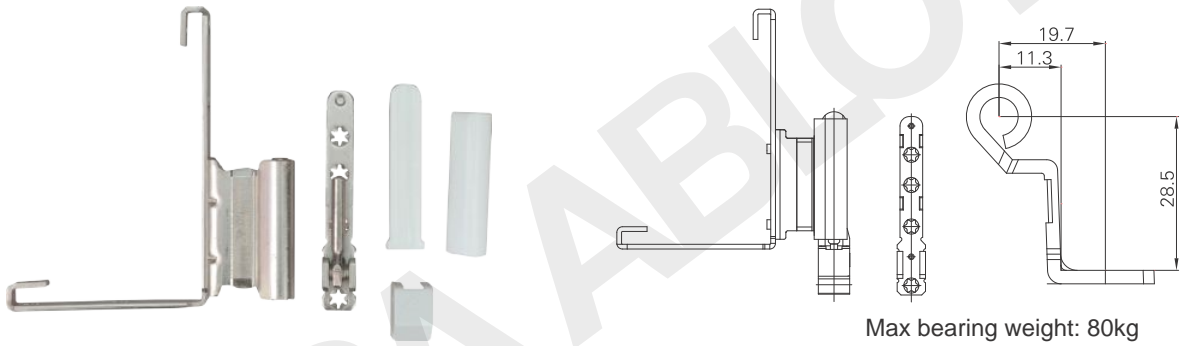
- CSJ10943600 (9mm) / CSJ11343600 (13mm)



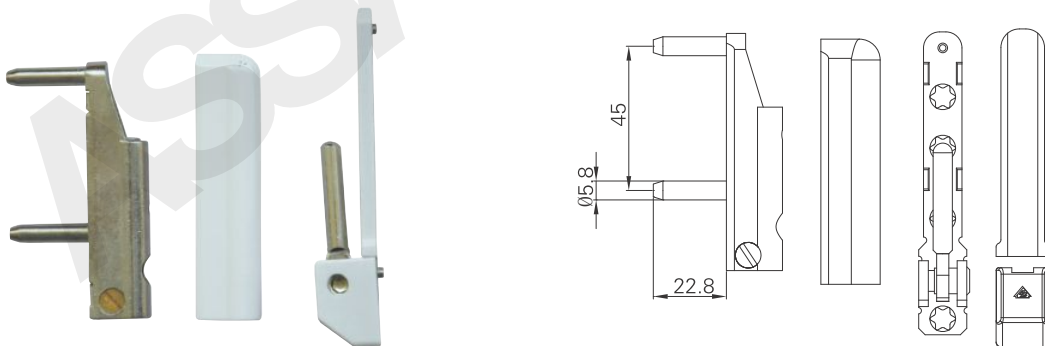
- ZJ10933400 (9mm) / ZJ11333400 (13mm)



- CXJ10943600 L/R / CXJ11343600 L/R

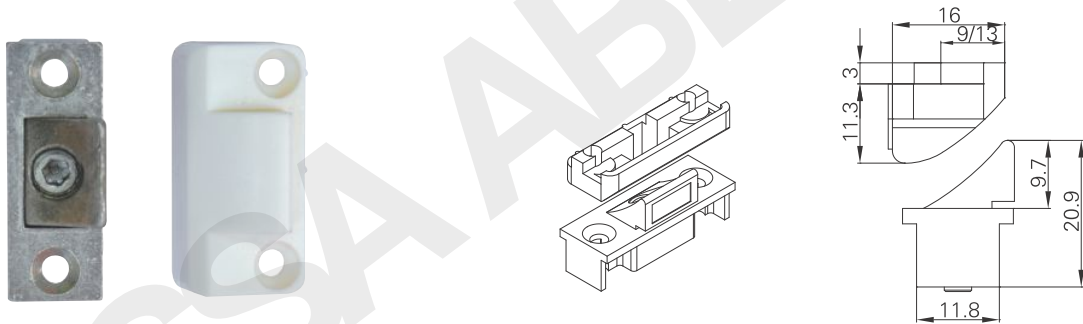


- SXJ0012

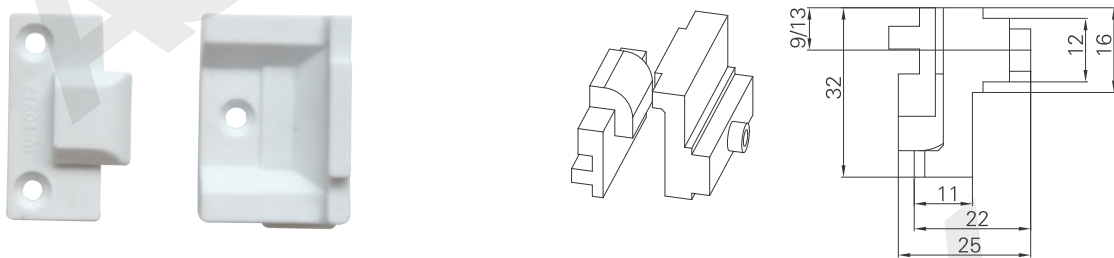


**WINDOW HINGE**

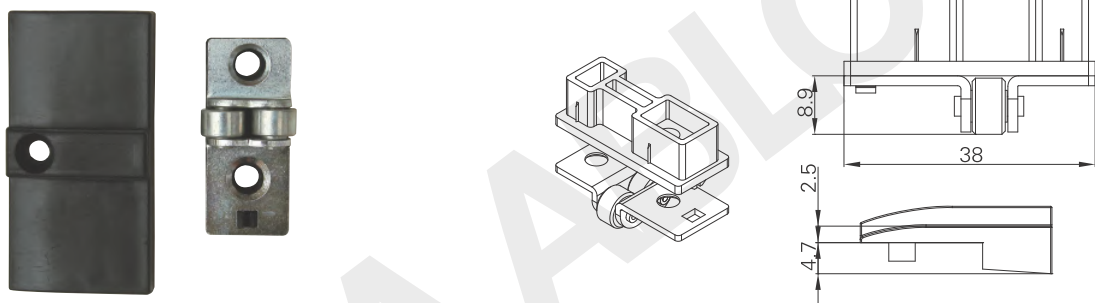
- 6180 (9mm) / 6180-1 (13mm)



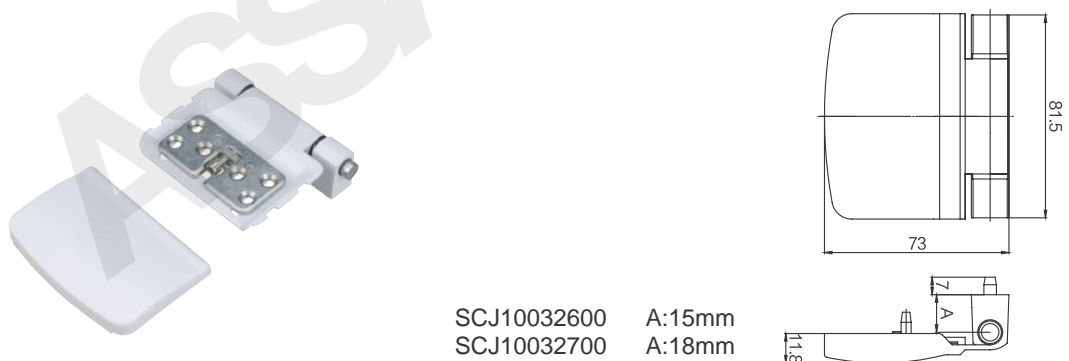
- ZTK03 (13mm) / ZTK04 (9mm)



- Sash lifter STQ01



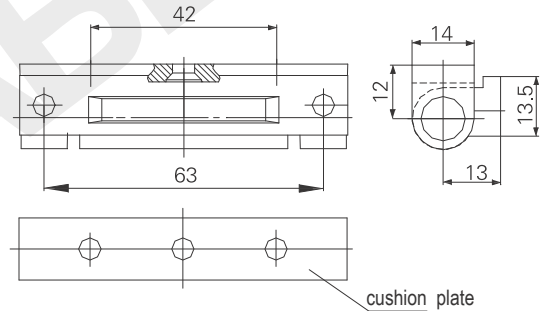
- SCJ10032600/SCJ10032700



SCJ10032600 A:15mm  
 SCJ10032700 A:18mm

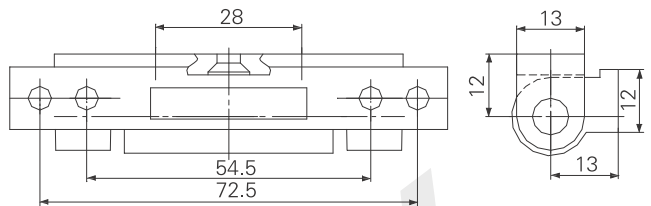
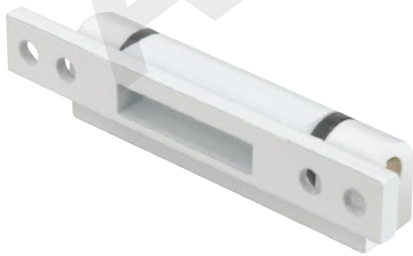
## WINDOW HINGE

- SCJ10030100



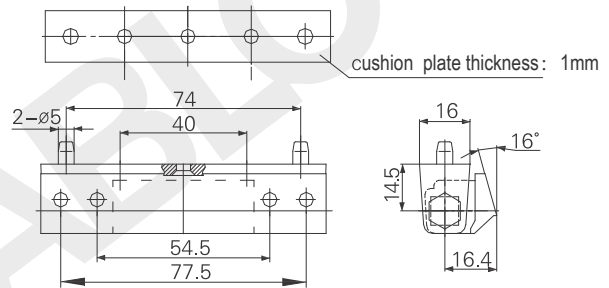
Max.bearing weight:40kg

- SCJ10030200.1 ( with security screw )



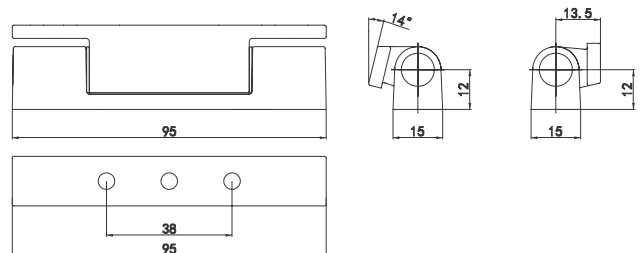
Max.bearing weight:40kg

- SCJ10030400



Max.bearing weight:60kg

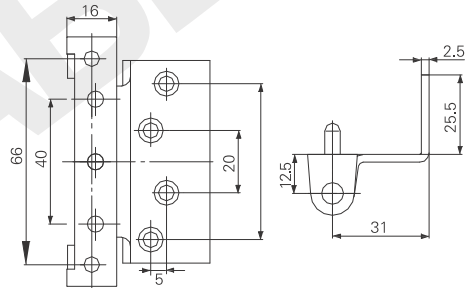
- SCJ10033500



Max.bearing weight:60kg

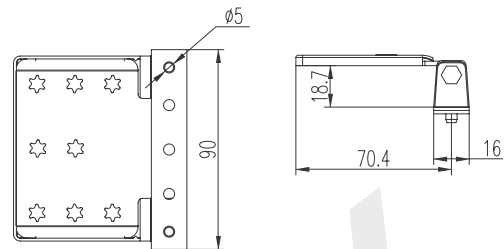
**WINDOW HINGE**

- SCJ10030500



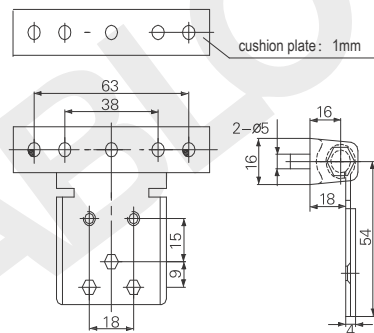
Max. bearing weight: 30kg

- MJ10030500



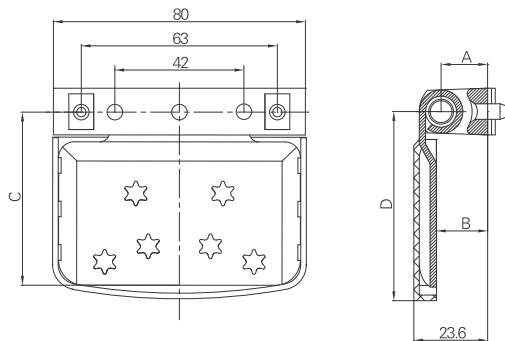
Max bearing weight: 60kg

- SCJ10031400



Max. bearing weight: 60kg

- SCJ10032300

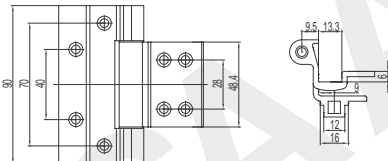


Max. bearing weight: 60kg

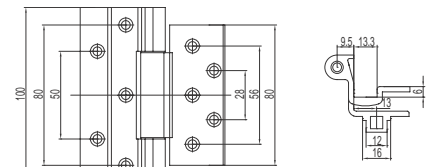
Item NO.	A	B	C	D	Spec.
SCJ10032300	15	18.5	65.5	69.8	8 Holes
SCJ10032400	15	16.5	65.5	69.8	8 Holes
SCJ10033200	15	16.5	61	65.3	6 Holes

# HINGE AND HANDLE

• SCJ10930100



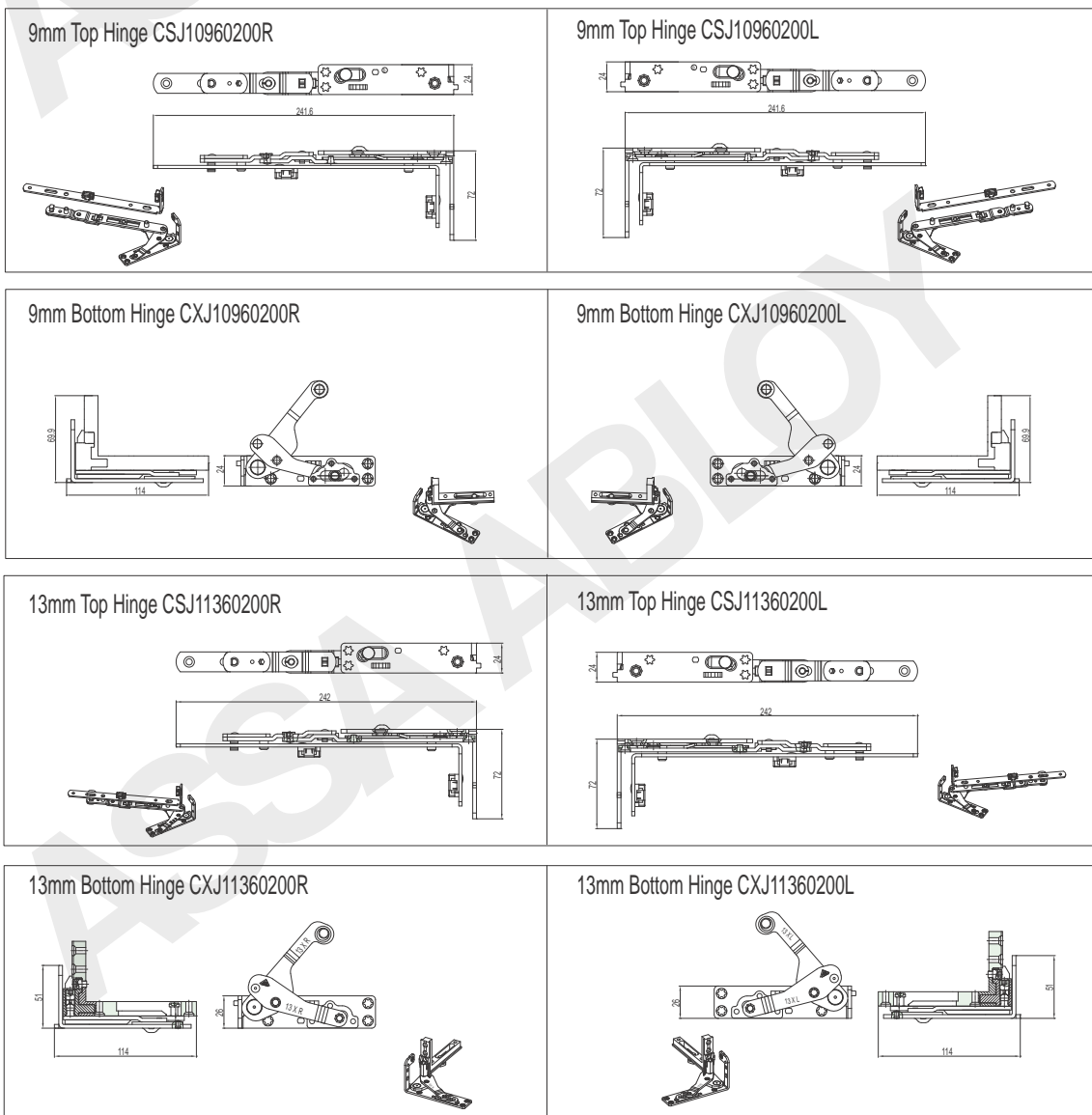
• SCJ11330100



Max bearing weight: 40kg

Max bearing weight: 40kg

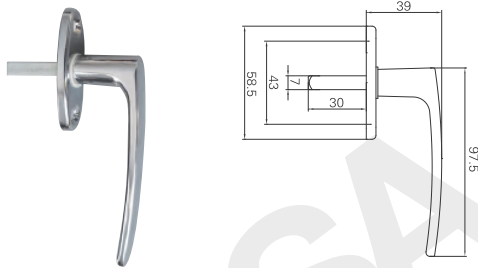
• Concealed Hinge CSJ10960200L/R (9mm,Top Hinge) CXJ10960200L/R (9mm,Bottom Hinge)  
 CSJ11360200L/R (13mm,Top Hinge) CXJ11360200L/R (13mm,Bottom Hinge)





**WINDOW HANDLE**

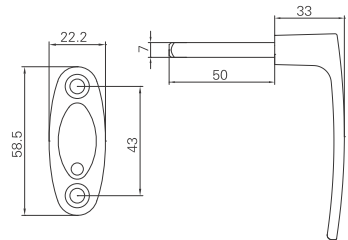
• 11840



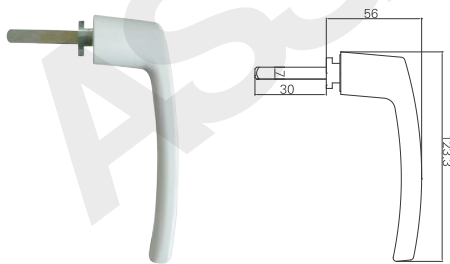
• 11850



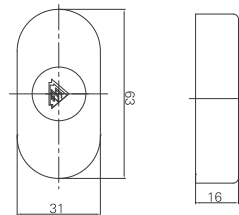
• 11840-1



• FZ1192130.1

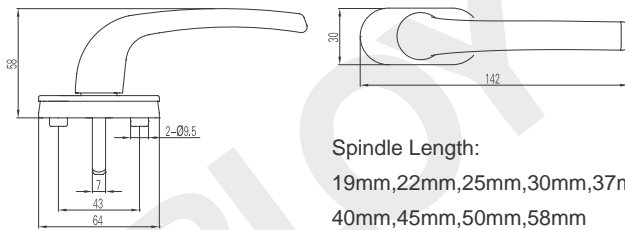


• FZ11921



• FZ1352630

Handle Base: Plastic  
Handle: Alum. Alloy

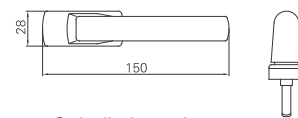
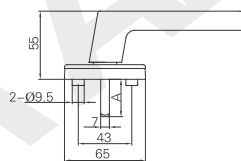


Spindle Length:

19mm,22mm,25mm,30mm,37mm,  
40mm,45mm,50mm,58mm

• FZ1132630

Handle Base: Plastic  
Handle: Alum. Alloy



Spindle Length:

19mm,22mm,25mm,30mm,37mm,  
40mm,45mm,50mm,58mm

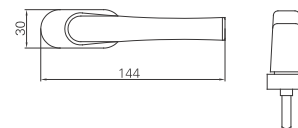
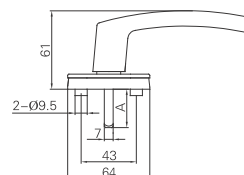
• FZ1062630

Handle Base: Plastic  
Handle: Alum. Alloy



• FZ1472130

Handle Base: Alum.  
Handle: Zinc alloy



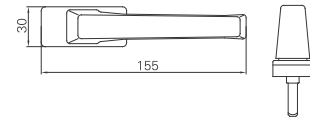
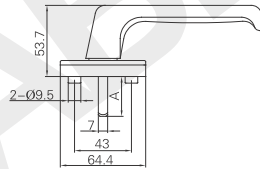
Spindle Length:

19mm,22mm,25mm,30mm,37mm,  
40mm,45mm,50mm,58mm

**WINDOW HANDLE**

● FZ1042630

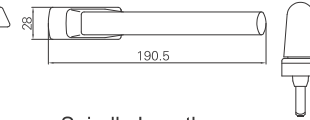
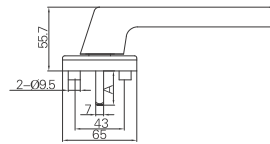
Handle Base: Plastic  
Handle: Alum. Alloy



Spindle Length:  
19mm,22mm,25mm,30mm,37mm,  
40mm,45mm,50mm,58mm

● FZ1122630

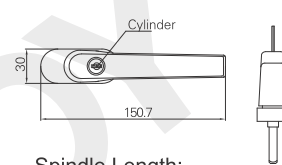
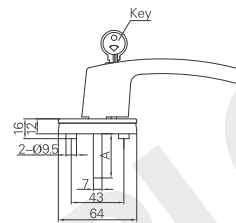
Handle Base: Plastic  
Handle: Alum.



Spindle Length:  
19mm,22mm,25mm,30mm,37mm,  
40mm,45mm,50mm,58mm

● FZS1172130 (Different Keys)

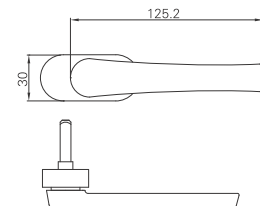
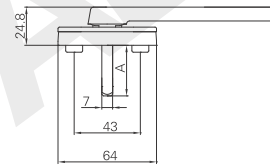
FZS1172130.1 (Same Keys)  
Handle Base: Zinc alloy  
Handle: Alum. Alloy



Spindle Length:  
19mm,22mm,25mm,30mm,37mm,  
40mm,45mm,50mm,58mm

● SCFZ012633

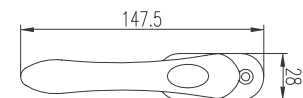
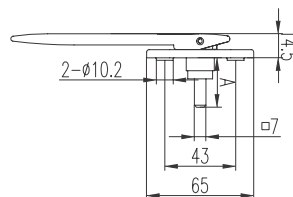
Handle Base: Plastic  
Handle: Alum. Alloy



Spindle Length:33mm

● SCFZ0211XX

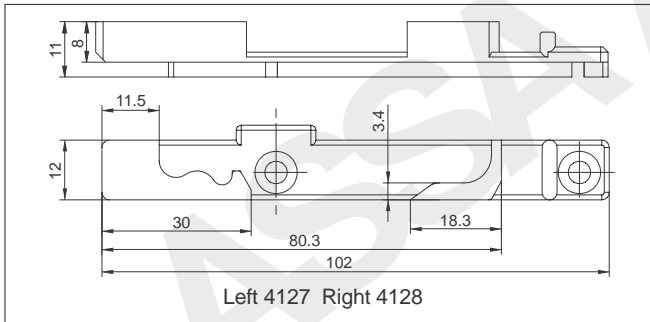
Both handle and handle base  
is made of zinc alloy



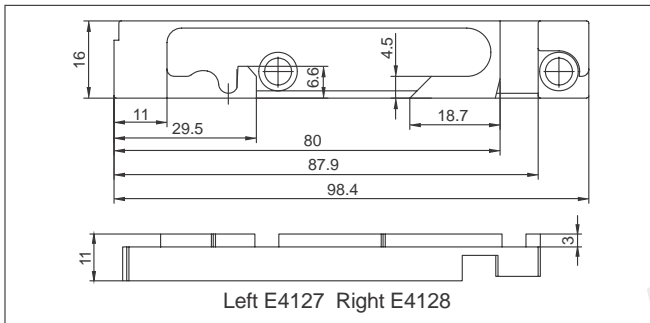
Spindle Length:  
25mm,30mm,35mm,40mm

**T&T KEEPER**

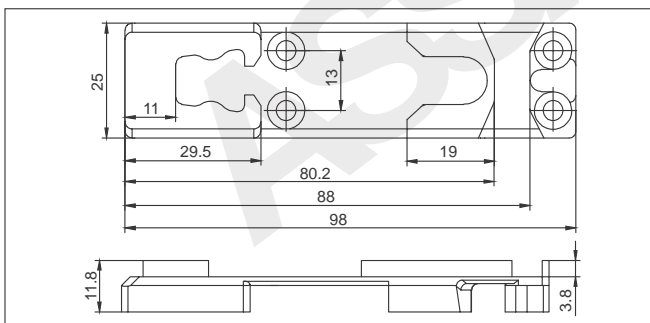
4127/4128



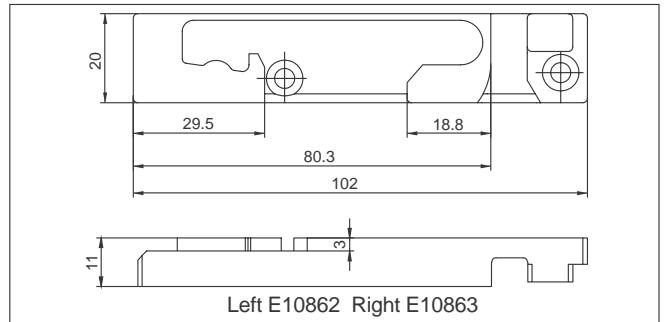
E4127/E4128



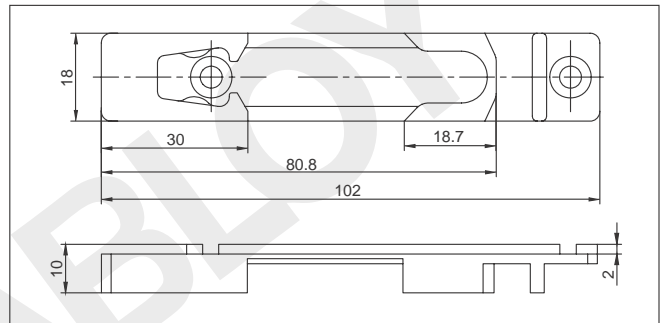
E10861



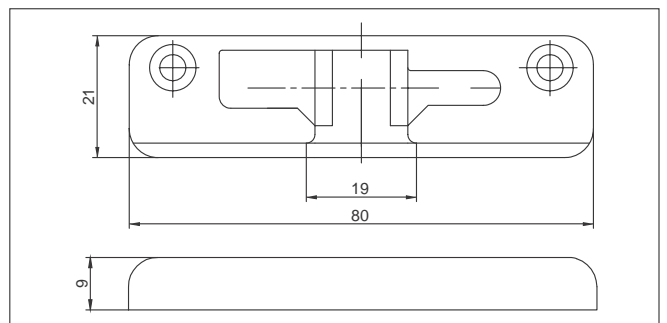
E10862/E10863



XP003

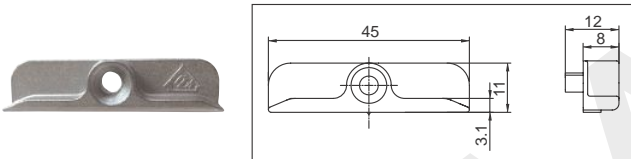


XP007L/R

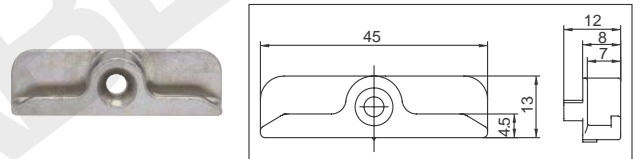


**KEEPER**

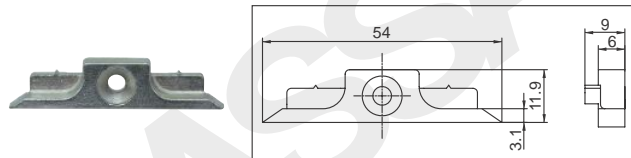
10801



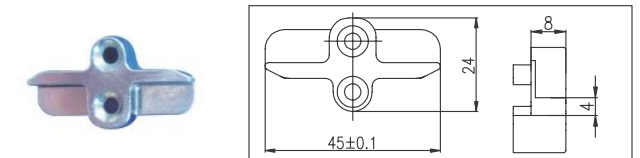
SXK021



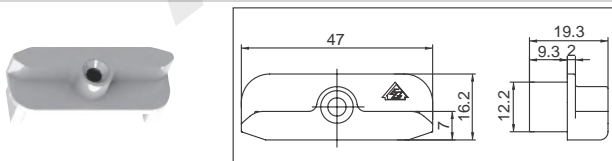
10841



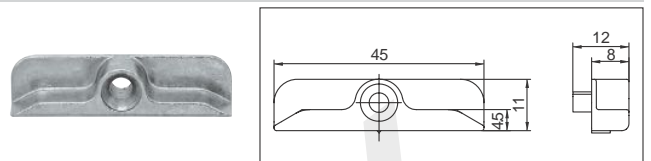
SXK025



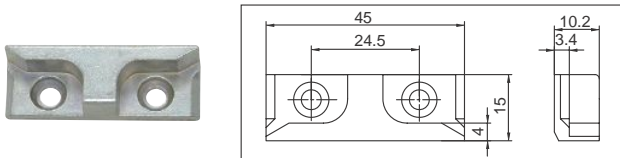
10843-1



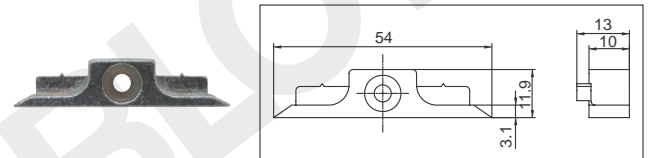
10830



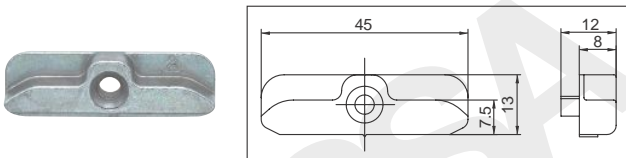
10823



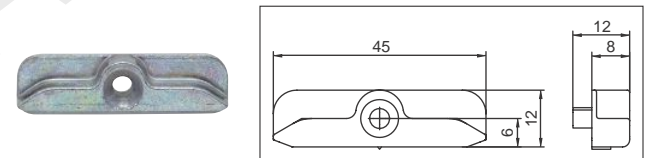
10801-2



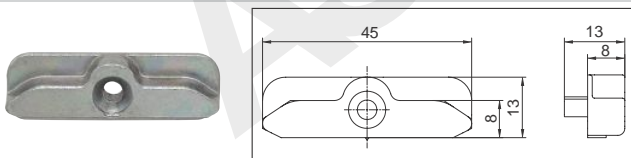
10256



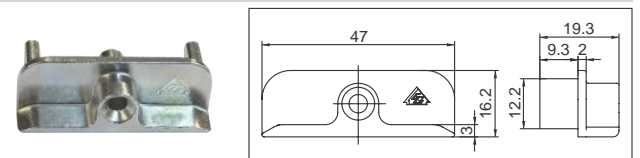
10256-1



10256-3

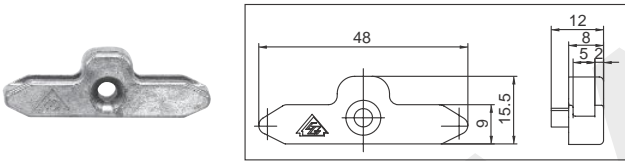


10842-1

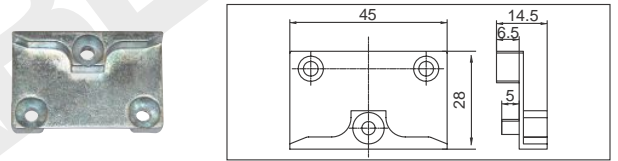


**KEEPER**

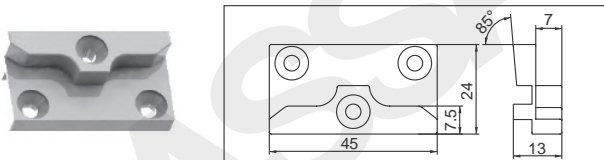
SXK027



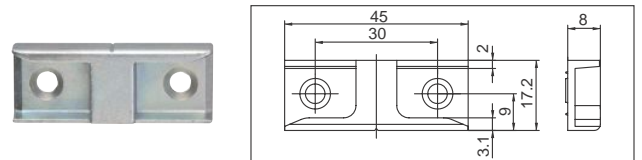
10855



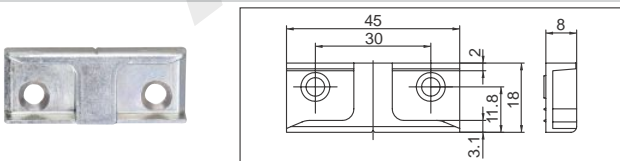
10849



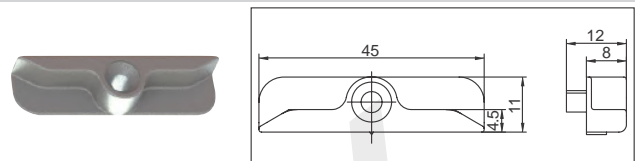
SXK029



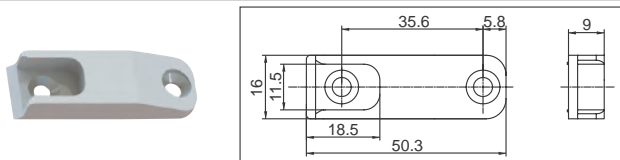
SXK028



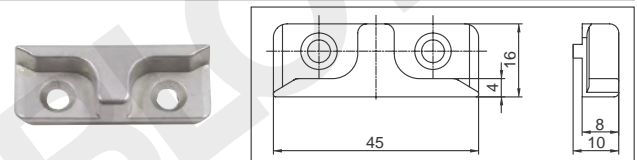
SXK007



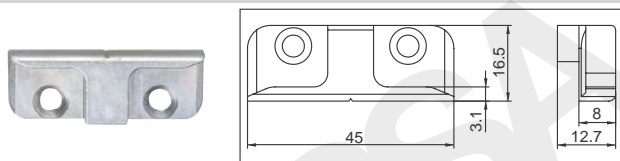
M10816



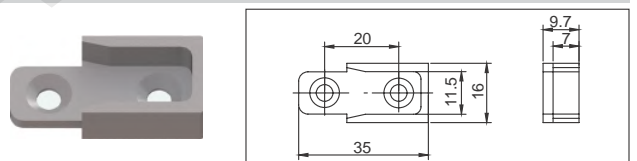
SXK005



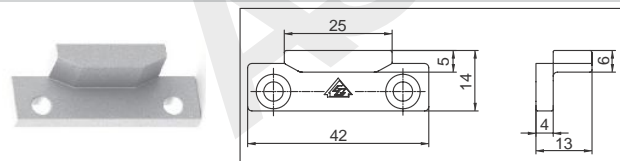
SXK031



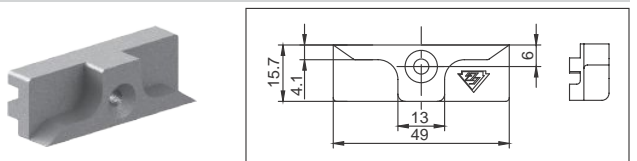
10829



SXK035



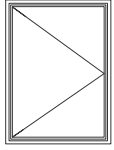
10822



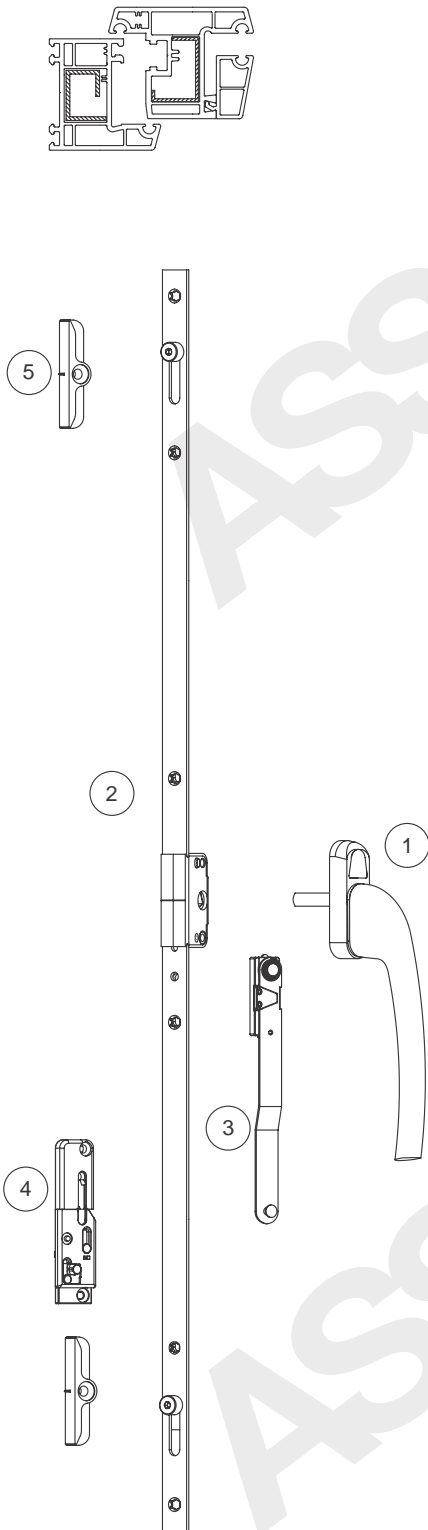
**MATCHED PROFILES CHART FOR KEEPERS, T&T KEEPER**

Profile	9mm	9mm	13mm	13mm	13mm	13mm	13mm	13mm	13mm						
Keeper	GOODWIN583 KBE58 Exprof Proplex Novotex58 Krauss Krunor Vitrage	Zhongcai Shide Kinbon Conch Huazhijie Lily	GOODWIN705 LG Grain KBE70 Novotex70 Plafen Laumann Roplasto Veka	ALUPLAST Schuco Dimex Artec Lear LG Chem Wintech Bauplast	Deceuninck	Gealan	FORWIN Rehau Montblanc Brusbox Kommerling (with plastic corner connector)	FORWIN Rehau Montblanc Brusbox (with steel corner connector)	Trokal	SXK007 E4127 E4128	10801 E4127 E4128	10256-3 E10866L E10866R	10256 E10862 E10863	E10802 E10803 E10804	E10802 E10862 E10863
	Stop Block (locking:-0.3-0.8mm)									E4127 E4128	E10801 E10861	E10862 E10863	E10862 E10863	E10802 E10861	E10862 E10863
Keeper (locking:+0.3-0.8mm)															
Keeper (locking:+0.3-0.8mm)															

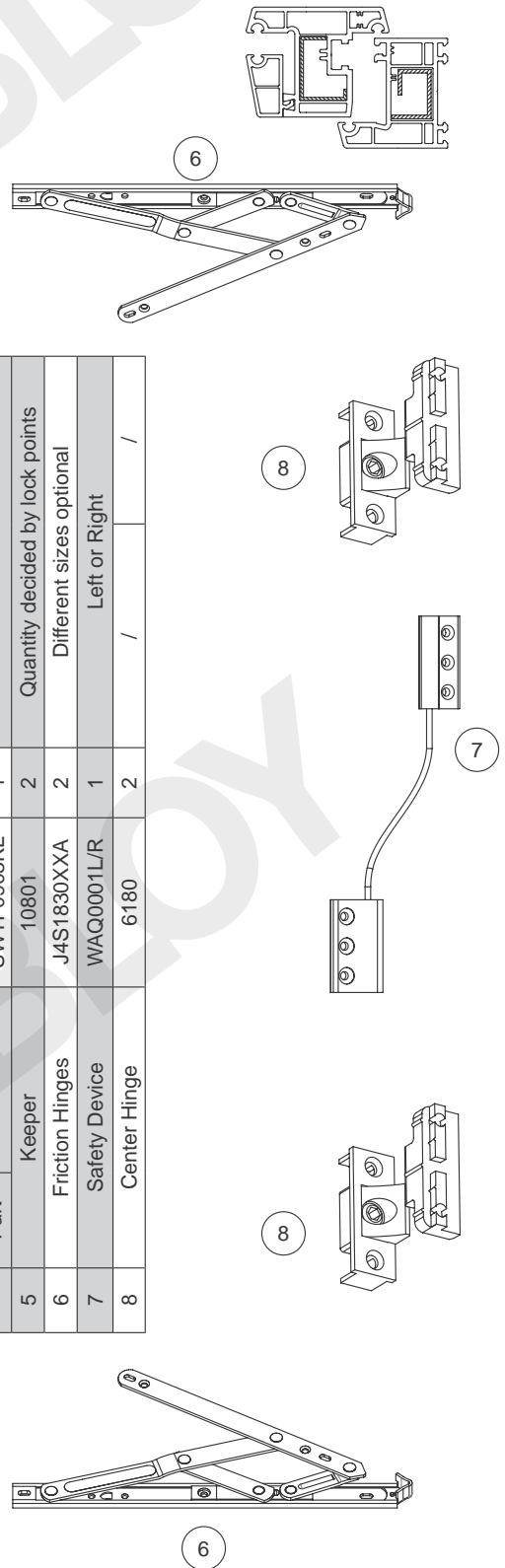


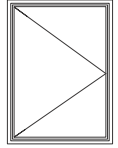


HARDWARE FOR OUTWARD OPEN WINDOW

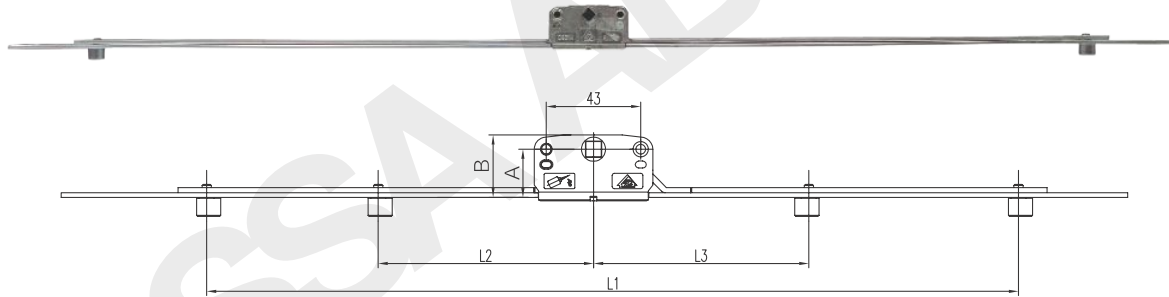


No.	Name	Item Code	Qty.	Spec.	Lock Point
1	Handle	FZ2251137	1	Different of Spindle Length is optional	
2	Esapagnolette	CQ22E21082	1	800	2
		CQ22E21103	1	1000	3
		CQ22E21143	1	1200	3
		CQ22E21143	1	1400	3
3	Ventilation Part	SWTF0903SL	1		Lfet or Right
		SWTF0903SR	1		
4	Frame Part	SWTF0903KL	1		Lfet or Right
		SWTF0903KL	1		
5	Keeper	10801	2	Quantity decided by lock points	
6	Friction Hinges	J4S1830XXA	2	Different sizes optional	
7	Safety Device	WAQ0001L/R	1	Left or Right	
8	Center Hinge	6180	2	/	/

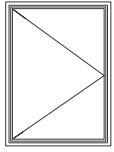




## ESPAÑOLETTE FOR OUTWARD OPEN WINDOW

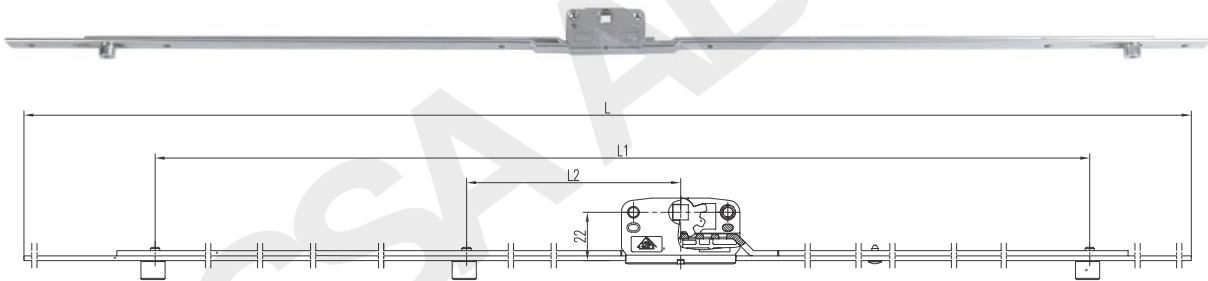


No.	Name	Item No.	Spec.	L1	L2	L3	A	B
1	Espagnolette for outward open window (Backset 20mm)	CQ22D190242	240	195	/	/	20	26
2		CQ22D19042	400	280	/	/		
3		CQ22D19062	600	480	/	/		
4		CQ22D19082	800	680	/	/		
5		CQ22D19103	1000	880	115	/		
6		CQ22D19123	1200	1080	135	/		
7		CQ22D19124	1200	1080	135	135		
8		CQ22D19144	1400	1280	135	135		
9		CQ22D19164	1600	1480	200	200		
10		CQ22D19184	1800	1680	200	200		
11		CQ22D19204	2000	1880	200	200		
12	Espagnolette for outward open window (Backset 22mm)	CQ22E190242	240	195	/	/	22	28.5
13		CQ22E19042	400	280	/	/		
14		CQ22E19062	600	480	/	/		
15		CQ22E19082	800	680	/	/		
16		CQ22E19103	1000	880	115	/		
17		CQ22E19123	1200	1080	135	/		
18		CQ22E19124	1200	1080	135	135		
19		CQ22E19144	1400	1280	135	135		
20		CQ22E19164	1600	1480	200	200		
21		CQ22E19184	1800	1680	200	200		
22	CQ22E19204	2000	1880	200	200			
23	Espagnolette for outward open window (Backset 25mm)	CQ22F060242	240	199	/	/	25	31.5
24		CQ22F06042	400	284	/	/		
25		CQ22F06062	600	484	/	/		
26		CQ22F06082	800	680	/	/		
27		CQ22F06103	1000	804	115	/		
28		CQ22F06123	1200	1084	137	/		
29		CQ22F06124	1200	1084	137	137		
30	CQ22F06144	1400	1284	137	137			
31	Espagnolette for outward open window (Backset 30mm)	CQ22H010242	240	199	/	/	30	36
32		CQ22H01042	400	284	/	/		
33		CQ22H01062	600	484	/	/		
34		CQ22H01082	800	680	/	/		
35		CQ22H01103	1000	804	115	/		
36		CQ22H01123	1200	1084	137	/		
37		CQ22H01124	1200	1084	137	137		
38		CQ22H01144	1400	1284	137	137		



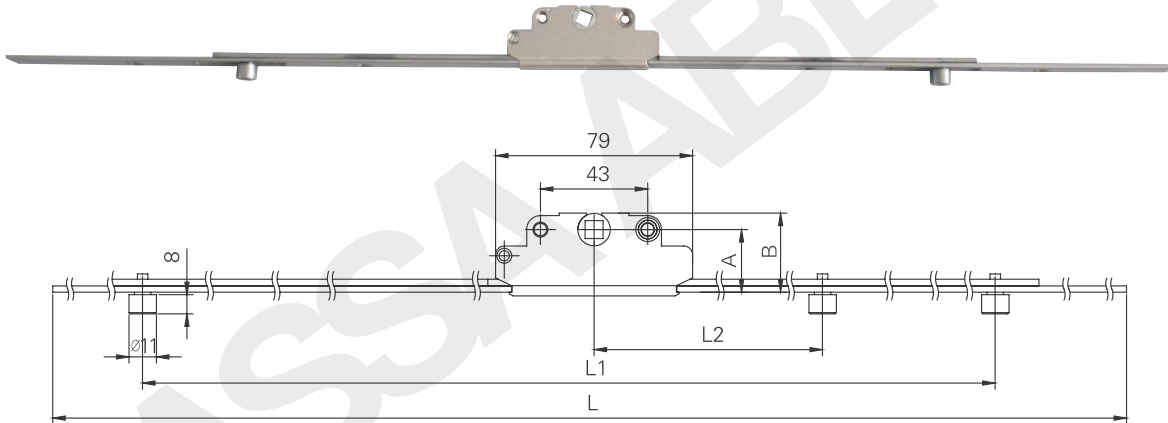
## ESPAÑOLETE FOR OUTWARD OPEN WINDOW

Stainless Steel 304

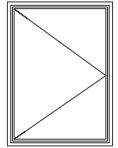


No.	Name	Item No.	Spec.	L	L1	L2	A	B
1	Espagnolette for Outward Open Window Stainless Steel 304 (Backset 20mm)	CQ22D190425	400	400	255	/	20	26
2		CQ22D190625	600	600	360	/		
3		CQ22D190825	800	800	560	/		
4		CQ22D191025	1000	1000	760	115		
5		CQ22D191235	1200	1200	960	170		
6		CQ22D191435	1400	1400	1160	170		
7		CQ22D191635	1600	1600	1360	170		
8		CQ22E190425	400	400	255	/		
9	CQ22E190625	600	600	360	/			
10	CQ22E190825	800	800	560	/			
11	CQ22E191025	1000	1000	760	115			
12	CQ22E191235	1200	1200	960	170			
13	CQ22E191435	1400	1400	1160	170			
14	CQ22E191635	1600	1600	1360	170			

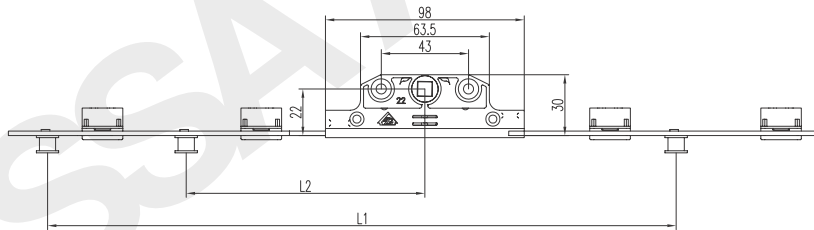
Stainless Steel 304



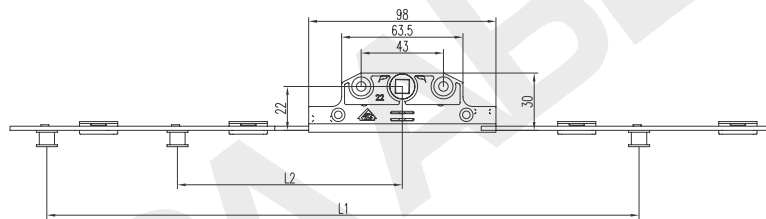
No.	Name	Item No.	Spec.	L	L1	L2	A	B
1	Espagnolette for Outward Open Window Stainless Steel 304 (Backset 25mm)	CQ22F020425	400	400	255	255	25	32
2		CQ22F020625	600	600	360	360		
3		CQ22F020825	800	800	560	560		



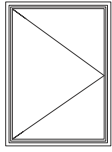
## ESPAGNOLETTE FOR OUTWARD OPEN WINDOW



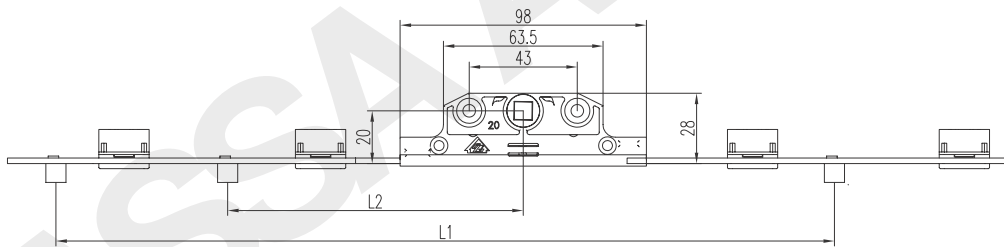
No.	Name	Item No.(BS:22mm)		Spec.	L1	L2
		Material:carbon steel	Material:SS304			
1	Espagnolette for outward open window (Backset:22mm)	CQ21E010242	CQ21E0102425	240	130	/
2		CQ21E01042	CQ21E010425	400	220	/
3		CQ21E01062	CQ21E010625	600	420	/
4		CQ21E01082	CQ21E010825	800	610	/
5		CQ21E01103	CQ21E011035	1000	810	140



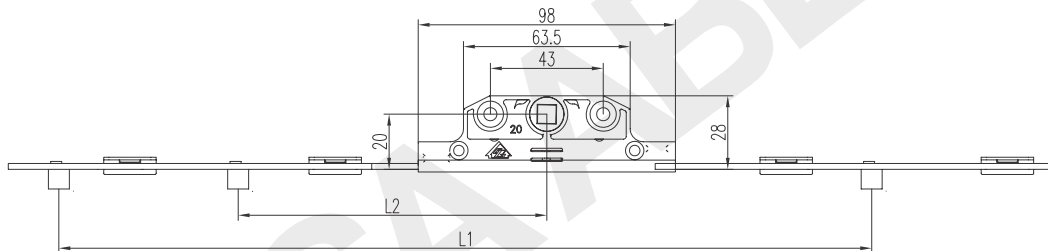
No.	Name	Item No.(BS:22mm)		Spec.	L1	L2
		Material:carbon steel	Material:SS304			
1	Espagnolette for outward open window (Backset:22mm)	CQ21E010242.1	CQ21E0102425.1	240	130	/
2		CQ21E01042.1	CQ21E010425.1	400	220	/
3		CQ21E01062.1	CQ21E010625.1	600	420	/
4		CQ21E01082.1	CQ21E010825.1	800	610	/
5		CQ21E01103.1	CQ21E011035.1	1000	810	140



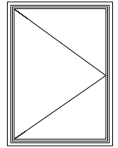
## ESPAGNOLETTE FOR OUTWARD OPEN WINDOW



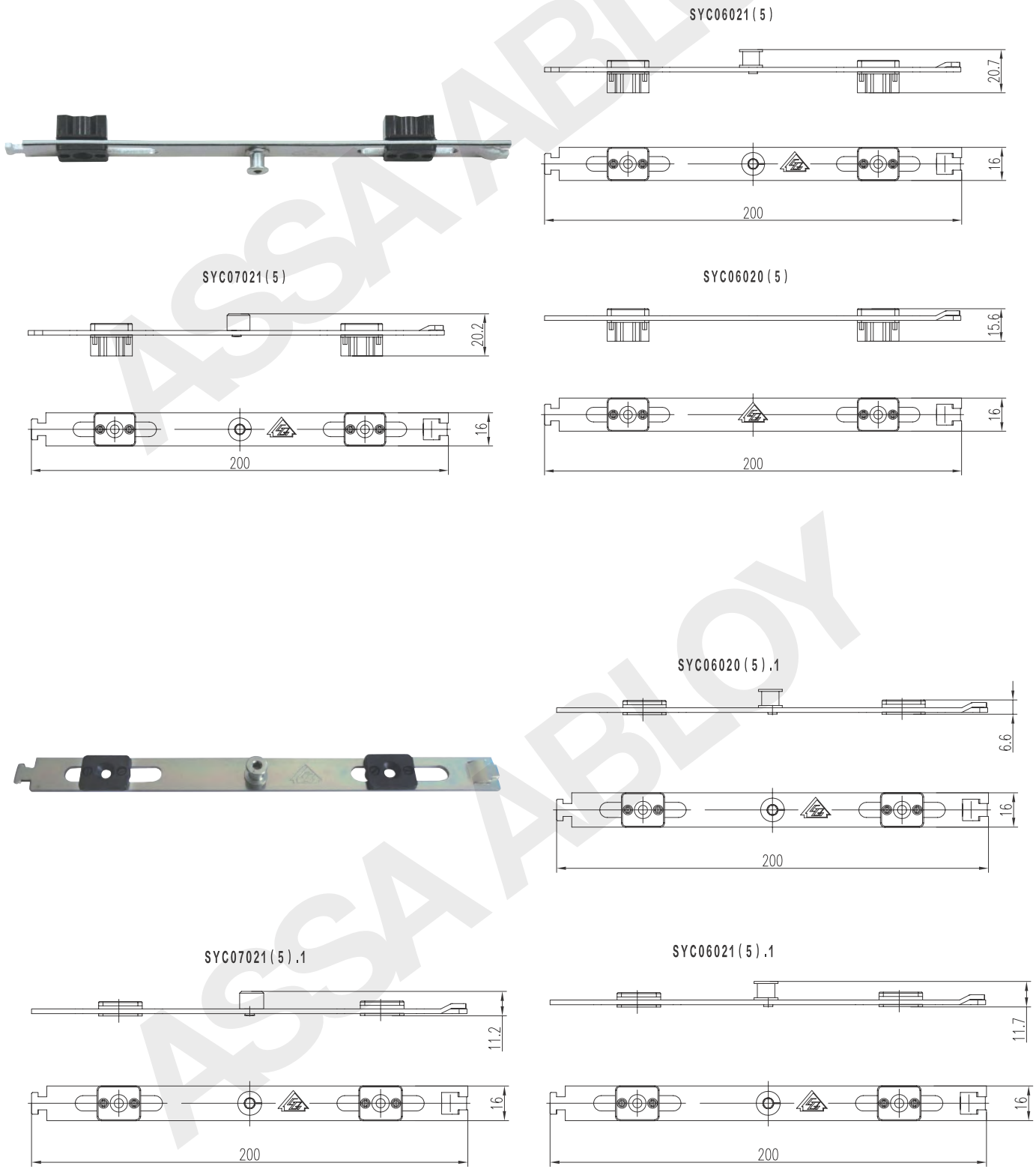
No.	Name	Item No.(BS:20mm)		Spec.	L1	L2
		Material:carbon steel	Material:SS304			
1	Espagnolette for outward open window (Backset:20mm)	CQ21D030242	CQ21D0302425	240	130	/
2		CQ21D03042	CQ21D030425	400	220	/
3		CQ21D03062	CQ21D030625	600	420	/
4		CQ21D03082	CQ21D030825	800	610	/
5		CQ21D03103	CQ21D031035	1000	810	140



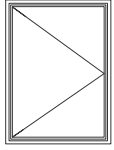
No.	Name	Item No.(BS:20mm)		Spec.	L1	L2
		Material:carbon steel	Material:SS304			
1	Espagnolette for outward open window (Backset:20mm)	CQ21D030242.1	CQ21D0302425.1	240	130	/
2		CQ21D03042.1	CQ21D030425.1	400	220	/
3		CQ21D03062.1	CQ21D030625.1	600	420	/
4		CQ21D03082.1	CQ21D030825.1	800	610	/
5		CQ21D03103.1	CQ21D031035.1	1000	810	140



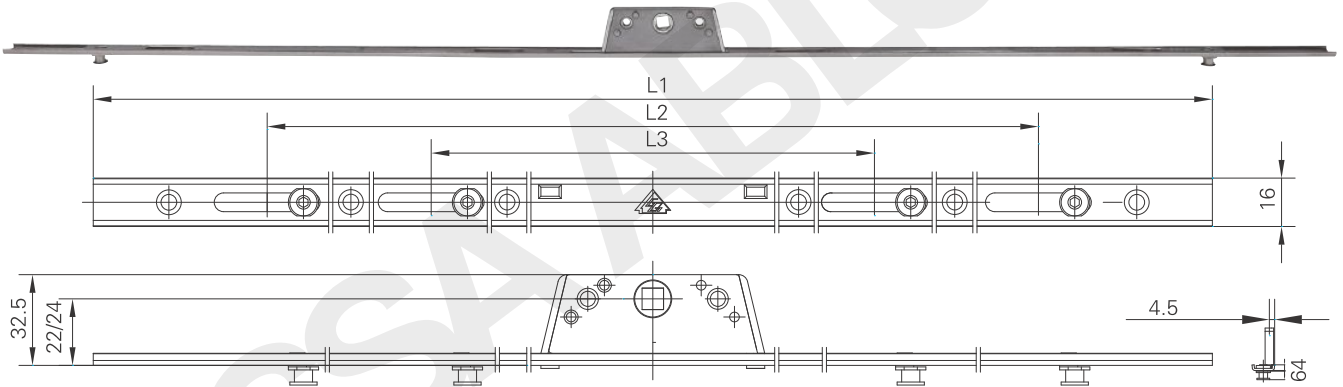
**ESPAÑOLETE FOR OUTWARD OPEN WINDOW**



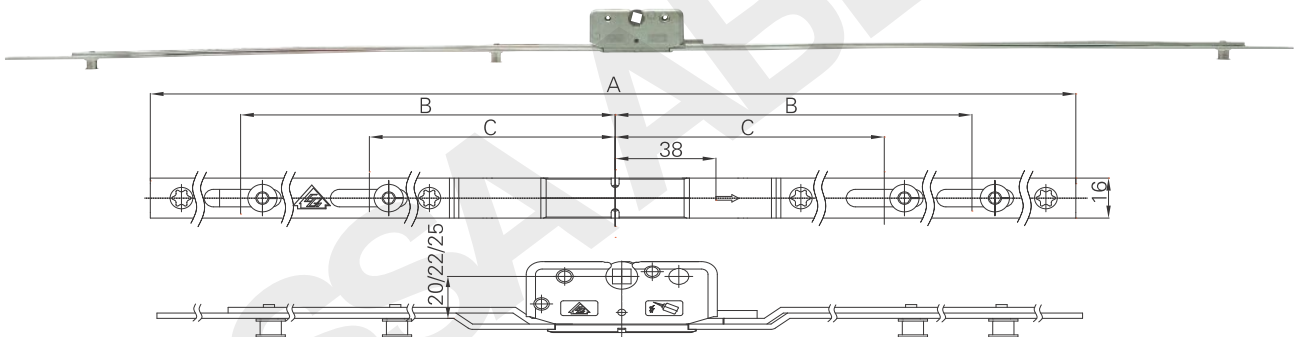




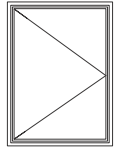
## ESPAÑOLETE FOR OUTWARD OPEN WINDOW



No.	Name	Item No.(BS:22mm)	Item No.(BS:22mm)	L1	L2	L3	Locking Point QTY
		Material:carbon steel	Material:SS304				
1	U type espagnolette for outward open window	CQ22D060252	CQ22D0602525	250	135	/	2
2		CQ22D06042	CQ22D060425	400	265	/	2
3		CQ22D06062	CQ22D060625	600	465	/	2
4		CQ22D06082	CQ22D060825	800	665	/	2
5		CQ22D06103	CQ22D061035	1000	865	/	3
6		CQ22D06124	CQ22D061245	1200	1065	305	4
7		CQ22D06144	CQ22D061445	1400	1265	305	4
8		CQ22D06164	CQ22D061645	1600	1465	305	4
No.	Name	Item No.(BS:24mm)	Item No.(BS:24mm)	L1	L2	L3	Locking Point QTY
1	U type espagnolette for outward open window	CQ22X010252	CQ22X0102525	250	135	/	2
2		CQ22X01042	CQ22X010425	400	265	/	2
3		CQ22X01062	CQ22X010625	600	465	/	2
4		CQ22X01082	CQ22X010825	800	665	/	2
5		CQ22X01103	CQ22X011035	1000	865	/	3
6		CQ22X01124	CQ22X011245	1200	1065	305	4
7		CQ22X01144	CQ22X011445	1400	1265	305	4
8		CQ22X01164	CQ22X011645	1600	1465	305	4

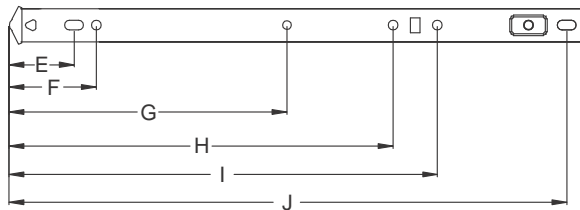
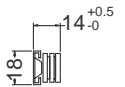
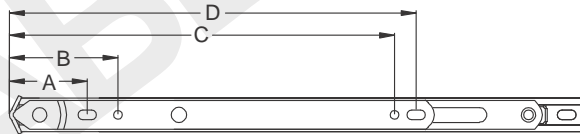
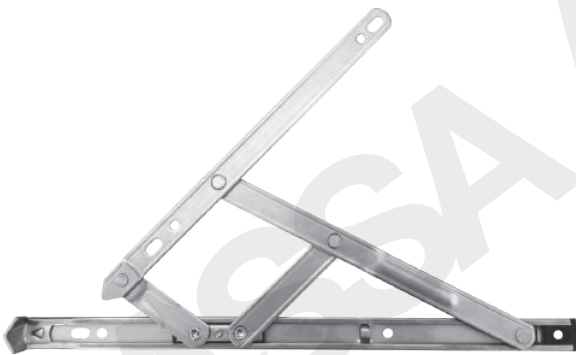


Name	Dimension			Item No. (backset :20mm)	Item No. (backset :22mm)	Item No. (backset :25mm)
	A	B	C			
Anti-burglar Espagnolette for outward open window	400	140		CQ22D05042	CQ22E05042	CQ22F05042
	600	240		CQ22D05062	CQ22E05062	CQ22F05062
	800	340		CQ22D05082	CQ22E05082	CQ22F05082
	1000	400	115	CQ22D05103	CQ22E05103	CQ22F05103
	1200	540	135	CQ22D05124	CQ22E05124	CQ22F05124
	1400	640	135	CQ22D05144	CQ22E05144	CQ22F05144
	1600	740	200	CQ22D05164	CQ22E05164	CQ22F05164



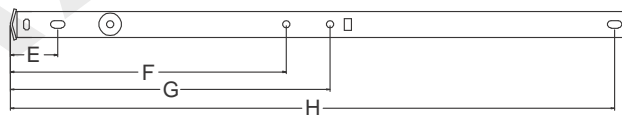
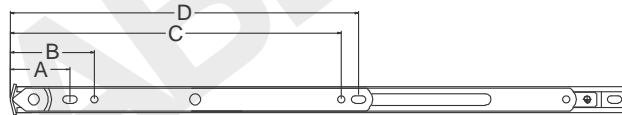
## FRICITION HINGE

### 14mm Stack Height Friction Hinges

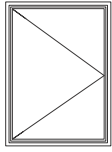


	A	B	C	D	E	F	G	H	I	J
10 inches	42	58.5	185.3	197	35	47	144.5	198.5	222.5	258.5
12 inches	42	58.5	207.3	219	35	47	149.5	206.5	230.5	301
14 inches	42	58.5	239.3	251	35	47	149.5	209.5	233.5	353
16 inches	42	58.5	239.3	251	35	47	162.5	247.5	271.5	392

### Easy-Clean Friction Hinges



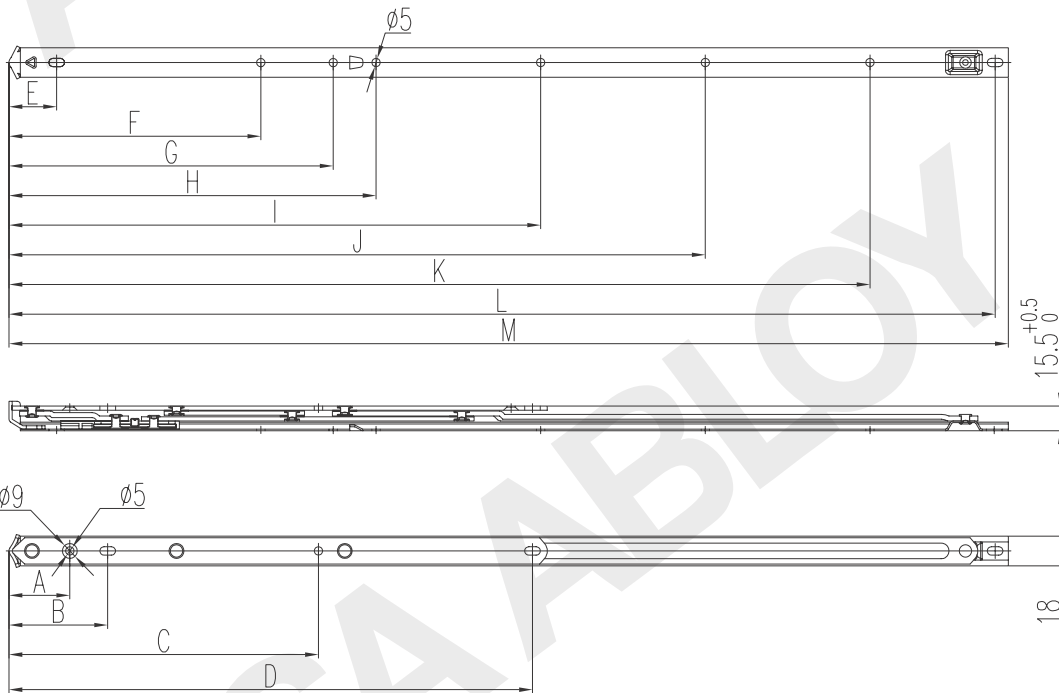
	A	B	C	D	E	F	G	H
12 inches	41.5	-	179.5	191.5	32	120	150	309
16 inches	41.5	57.8	226.5	238.5	32	189	219	412



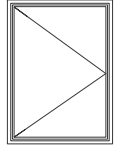
## FRICITION HINGE

### 18mm Double Pivots Friction Hinge for Side-hung Window

- Picked Stainless Steel 304 Material
- Coincide with China National Standard JG/T127-2007
- Open Angle Adjustable among 0-90 Degree
- Still Workable after 50,000 Cycles of Open and Close



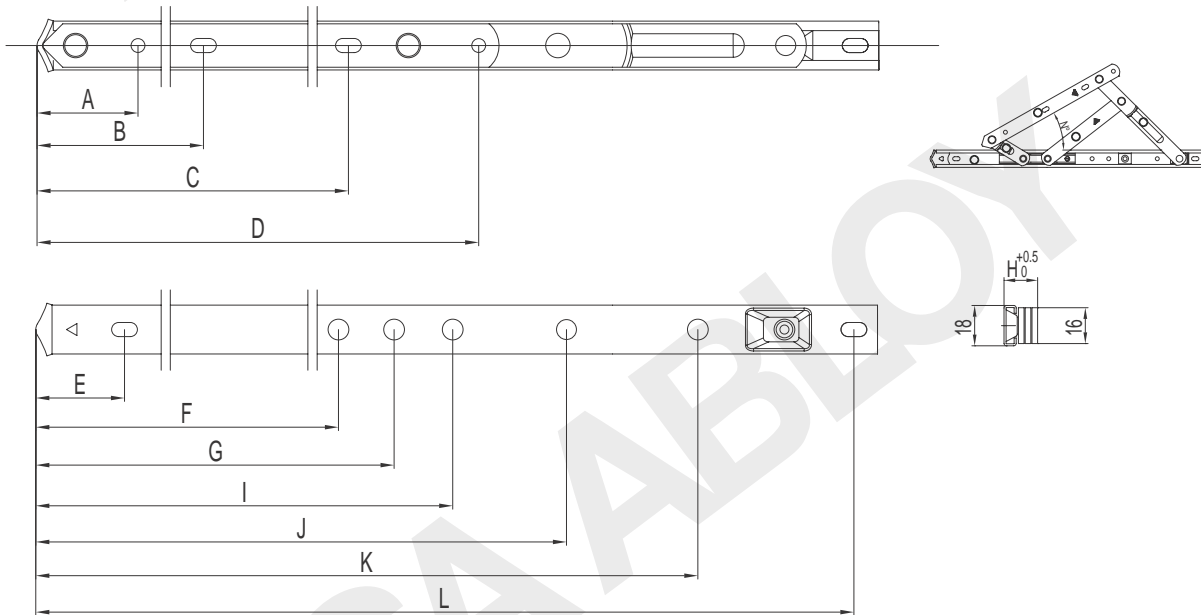
Item No.	Installation Size (mm)													Sash Size				
	A	B	C	D	E	F	G	H	I	J	K	L	M	Max Height (mm)	Max Width (mm)	Max Weight (kg)	Open Angle	Arm Qty
J4S182508	—	37	—	160	28	—	—	156	—	—	—	200	208	1000	300	9	55°	4
J4S182510A	37	60	—	186	29	—	—	197	—	—	—	248	257	1200	400	16	90°	4
J4S182512A	37	65	—	204	29	156	207	233	—	—	—	298	307	1200	500	19	45°/ 90°	4
J4S182514A	37	65	88	223	29	165	232	258	—	—	306	348	357	1500	600	22	45°/ 90°	4
J4S183016A	37	65	107	242	29	173	257	283	—	—	356	398	407	1500	650	25	45°/ 90°	4
J4S183018A	37	65	126	261	29	182	282	308	—	—	406	448	457	1500	700	26	45°/ 90°	4
J4W183020A	37	60	152	284	29	147	227	253	343	—	433	508	517	1500	750	28	30°/ 60°	5
J4W183024A	37	60	188	318	29	153	197	223	323	423	523	598	607	1500	800	29	30°/ 45°	5



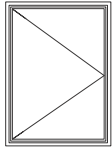
## FRICTION HINGE

### 18mm Double Pivots Friction Hinge for Top-hung Window

- Picked Stainless Steel 304 Material
- Still Workable after 50,000 Cycles of Open and Close
- Coincide with China National Standard JG/T127-2007



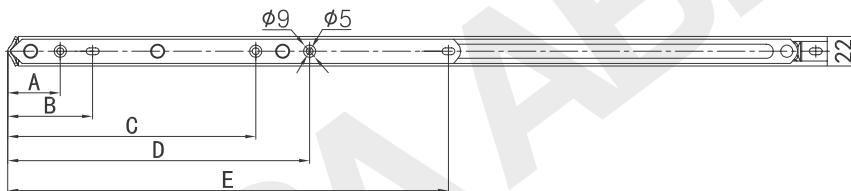
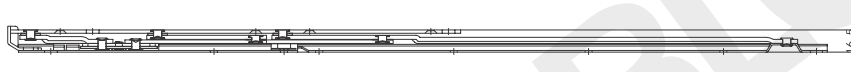
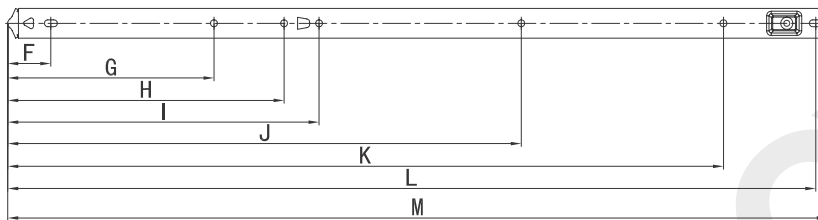
Item No.	A	B	C	D	E	F	G	I	J	K	L	H (mm) Stack Height	Sash Weight (kg)	Open Angle N°
J4XS182510	36.9	55.4	90.4	130.4	29.7	—	126.2	153.2	208.2	—	249.8	15	25	20/35°
J4XS182512	36.9	55.4	134.9	175.2	29.7	—	136.2	169.5	224.5	—	296.0	15	27	20/30°
J4XS182514	36.9	60.9	163.4	196.6	29.7	—	140.2	168.7	195.3	—	345.8	15	32	20/25°
J4XW182516	36.9	96.9	189.9	237.9	32.0	152.8	186.3	206.8	228.4	—	397.4	15	36	20/25/30°
J4XW183018	36.9	96.9	217.5	265.5	32.0	169.8	191.6	219.9	255.8	404.8	447.2	15.5	40	20/25/30°
J4XL183020	36.9	96.9	247.1	295.1	32.0	173.8	193.3	224.9	279.9	447.4	497.5	15.5	45	20/25/30°



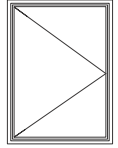
## FRICTION HINGE

### 22mm Double Pivots Friction Hinge for Side-hung Window

- Picked Stainless Steel 304 Material
- Coincide with China National Standard JG/T127-2007
- Open Angle Adjustable among 0-90 Degree
- Still Workable after 50,000 Cycles of Open and Close



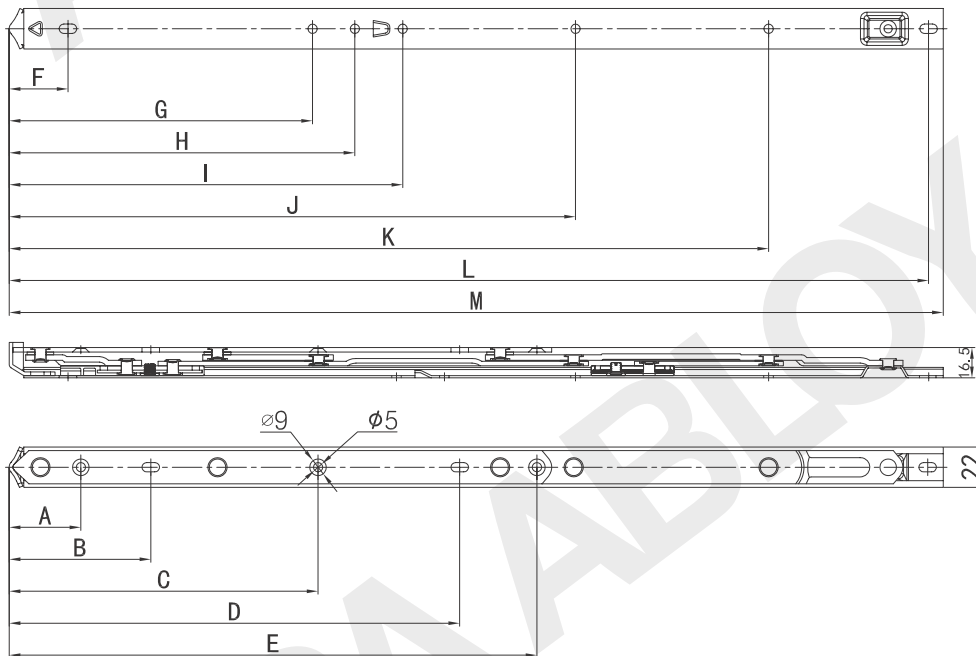
Item No.	Installation Size (mm)													Sash Size				
	A	B	C	D	E	F	G	H	I	J	K	L	M	Max Height (mm)	Max Width (mm)	Open Angle	Arm Qty	Max Weight (kg)
J4S223010A	39	57	—	—	196	32	139	—	203	—	—	250	258	1500	500	45/90°	4	23
J4S223012A	39	63	—	—	215	32	156	220	246	—	—	300	308	1500	600	45/90°	4	28
J4S223014A	39	63	90	—	232	32	162	237	263	—	303	350	358	1500	700	45/90°	4	33
J4S223016A	39	63	109	—	251	32	171	262	288	—	353	400	408	1800	800	45/90°	4	38
J4S223018A	39	63	128	—	270	32	179	287	313	—	403	450	458	1800	900	45/90°	4	43
J4S223020A	39	63	148	188	291	32	154	232	258	343	428	500	508	1800	1000	30/60°	4	45
J4W223024A	39	63	184	224	327	32	161	205	231	331	431	600	608	1800	1100	30/45°	5	50



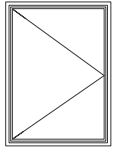
## FRICTION HINGE

### 22mm Heavy Duty Friction Hinge for Top-hung Window

- Picked Stainless Steel 304 Material
- Still Workable after 50,000 Cycles of Open and Close
- Coincide with China National Standard JG/T127-2007



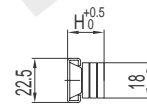
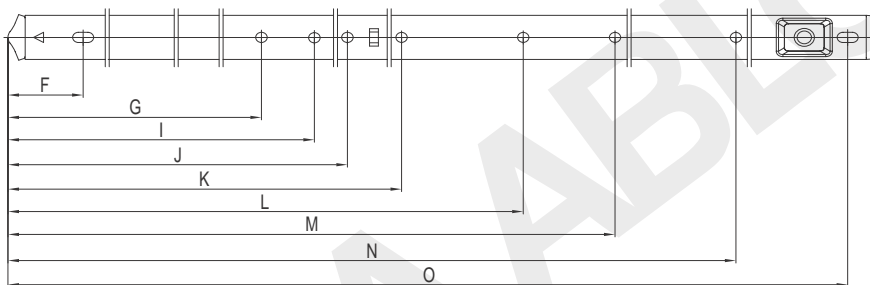
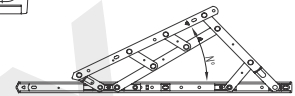
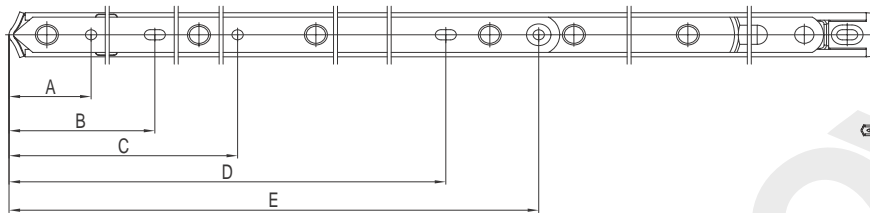
Item No.	Installation Size (mm)													Sash Size				
	A	B	C	D	E	F	G	H	I	J	K	L	M	Max Height (mm)	Max Width (mm)	Open Angle	Arm Qty	Max Weight (kg)
J4XS223010	39	77	—	—	141	32	—	—	178	—	203	250	258	650	1000	35°	4	40
J4XS223012	39	77	—	127	169	32	174	194	220	—	253	300	308	800	1200	30/35°	4	50
J4XS223014	39	77	—	155	197	32	183	205	231	—	303	350	358	1000	1200	30/35°	4	65
J4XS223016	39	77	—	185	227	32	172	194	220	—	353	400	408	1200	1400	25/30°	4	85
J4XS223018	39	77	—	215	257	32	180	205	231	278	403	450	458	1400	1400	25/30°	4	95
J4XL223020	39	77	168	245	287	32	165	188	214	308	413	500	508	1600	1500	20/25°	6	105
J4XL223024	39	77	212	305	347	32	174	202	228	368	493	600	608	1800	1500	20/25°	6	120



## FRICITION HINGE

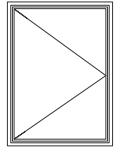
### 22 Heavy Duty Friction Hinge for Top-hung Window (7 arms)

- Picked Stainless Steel 304 Material
- Still Workable after 50,000 Cycles of Open and Close
- Coincide with China National Standard JG/T127-2007

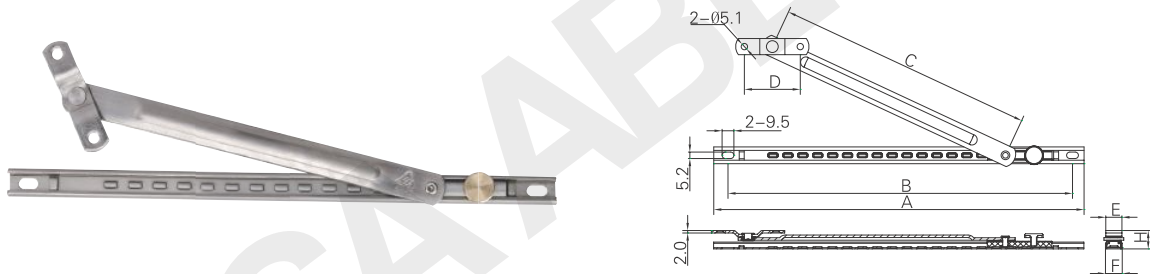


Item No.	A	B	C	D	E	F	G	I	J	K	L	M	N	O	H (mm) Stack Height	Sash Weight (kg)	Open Angle N°
J4XQ223026	37.1	97.1	217.2	362.4	404.6	33.7	199.5	238.0	294.5	316.1	371.1	401.1	581.1	649.6	16.5	135	20/25°
J4XQ223028	37.1	97.1	217.2	390.4	432.6	33.7	106.5	245.5	306.3	327.9	382.9	412.9	632.9	694.1	16.5	145	20/25°
J4XQ223030	37.1	97.1	217.2	424.4	466.4	33.7	210.5	254.9	320.5	342.1	397.1	457.1	677.1	748.1	16.5	150	20/25°
J4XQ223032	37.1	97.1	217.2	455.4	497.4	33.7	217.5	263.5	333.5	355.1	410.1	500.1	718.1	797.1	16.5	160	20/25°





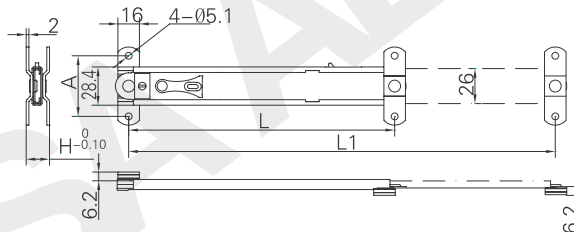
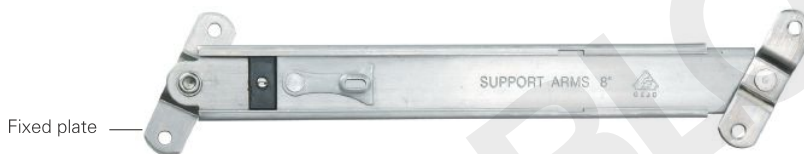
**FRICTION STAY**



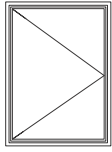
Item No.	Installation Size (mm)							
	A	B	C	D	E	F	G	H
J4E182008/J4E182508	216	197	123	45	16	18	2.0/2.5	15
J4E182010/J4E182510	268	249	177	45	16	18	2.0/2.5	15
J4E182012/J4E182512	298	279	207	45	16	18	2.0/2.5	15
J4E182014/J4E182514	344	325	249	45	16	18	2.0/2.5	15
J4E182016/J4E182516	400	381	312	45	16	18	2.0/2.5	15

Item No. Rule Note: for J4E182008 example, J4E 182008  
 — Length in inch  
 — Fixed plate thickness – "G" in above table  
 — Width – "F" in above table

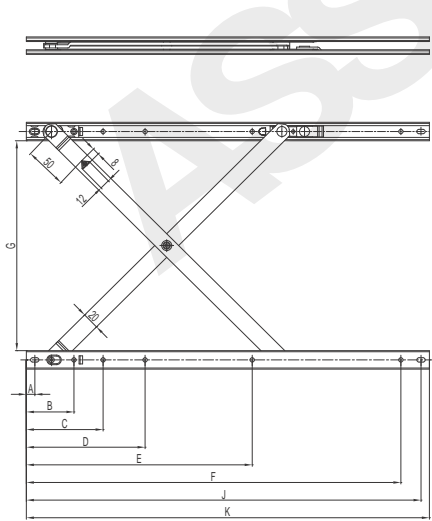
**SUPPORT ARM**



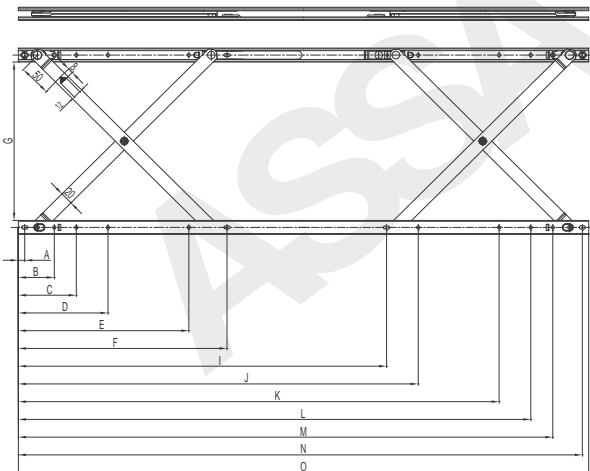
Item No.	Length (inch)	A fixed hole size	L retracted size	L1 outspread size	H stack height
18000	6	45.0	154.5	203.5	16.5
18010	8	45.0	203.5	301.5	16.5
18020	10	45.0	254.5	403.5	16.5
18030	12	45.0	304.5	503.5	16.5



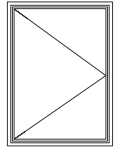
**PARALLEL WINDOW HINGE**



Code	Installation Size (mm)									Loading Capacity
	A	B	C	D	E	F	J	K	G	
PYDX224016	10	57	101	151	-	366	390	400	201	50kg
PYDX224018	10	57	91	141	269	416	440	450	250	55kg
PYDX224020	10	57	91	141	269	446	470	480	250	60kg



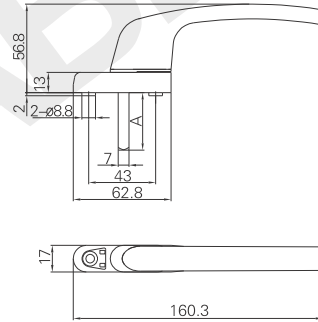
Code	Installation Size (mm)														Loading Capacity
	A	B	C	D	E	F	I	J	K	L	M	N	O	G	
PYSX224032	10	57	101	151	-	295	504	-	649	699	743	790	800	201	70 kg
PYSX224036	10	57	91	141	269	329	-	631	759	809	843	890	900	250	80 kg
PYSX224040	10	57	91	141	269	-	563	-	-	796	846	1009	1016	250	90 kg



**WINDOW HANDLE**

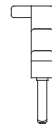
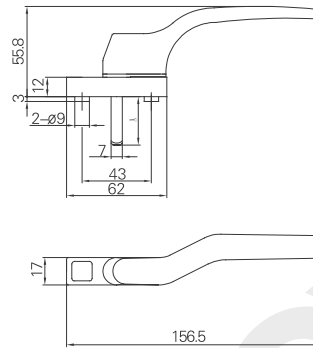
- FZ2251137.1

Handle: Zinc alloy  
Handle Base: Zinc alloy



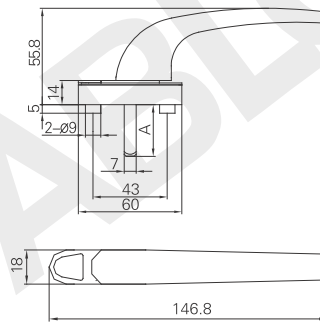
- FZ2171137L/R

Handle: Zinc alloy  
Handle Base: Zinc alloy



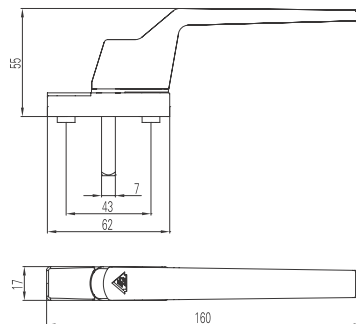
- FZ2181137.1

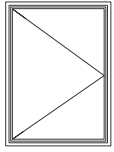
Handle: Zinc alloy  
Handle Base: Zinc alloy



- FZ2302137

Handle: Alum. alloy  
Handle Base: Zinc alloy





## WINDOW HANDLE

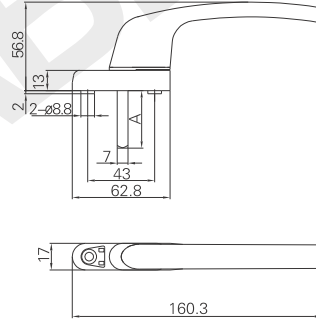
● FZ2251137

Handle: Zinc alloy  
Handle Base: Zinc alloy



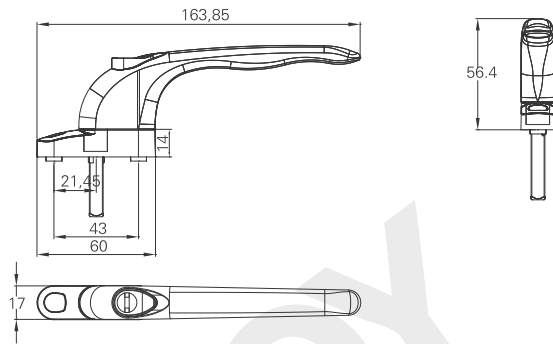
● FZ2252237

Handle: Alum.  
Handle Base: Alum.



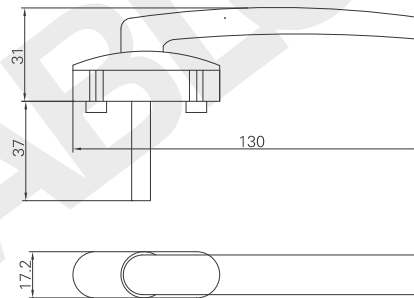
● 11600A

Handle: Zinc alloy  
Handle Base: Alum. alloy



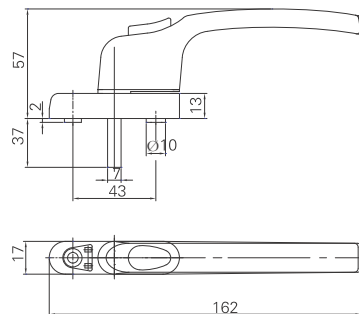
● GQYZS-7

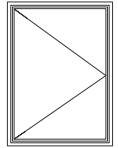
Handle: Alum. alloy  
Handle Base: Plastic



● FZ2261237

Handle: Zinc alloy  
Handle Base: Alum. alloy

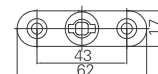
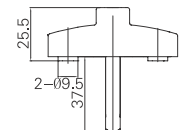
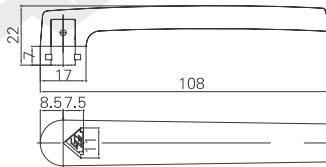




**WINDOW HANDLE**

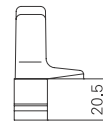
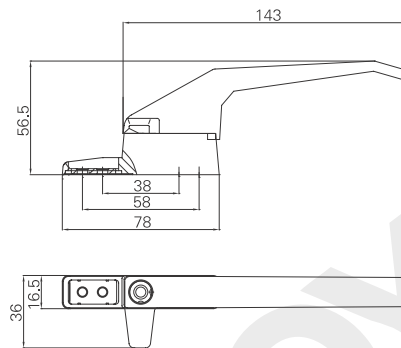
• FZ22926 / FZ2292637

Handle: Alum. alloy  
Handle Base: Plastic



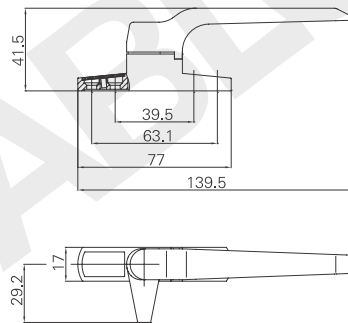
• XZ20411170 L/R

Handle: Zinc alloy  
Handle Base: Zinc alloy



• XZ20611175L/R

Handle: Zinc alloy  
Handle Base: Zinc alloy



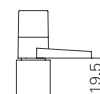
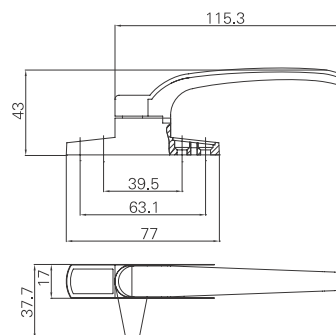
• XZ20711175L/R

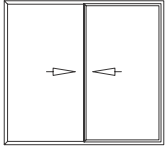
Handle: Zinc alloy  
Handle Base: Zinc alloy



• XZ20722165L/R

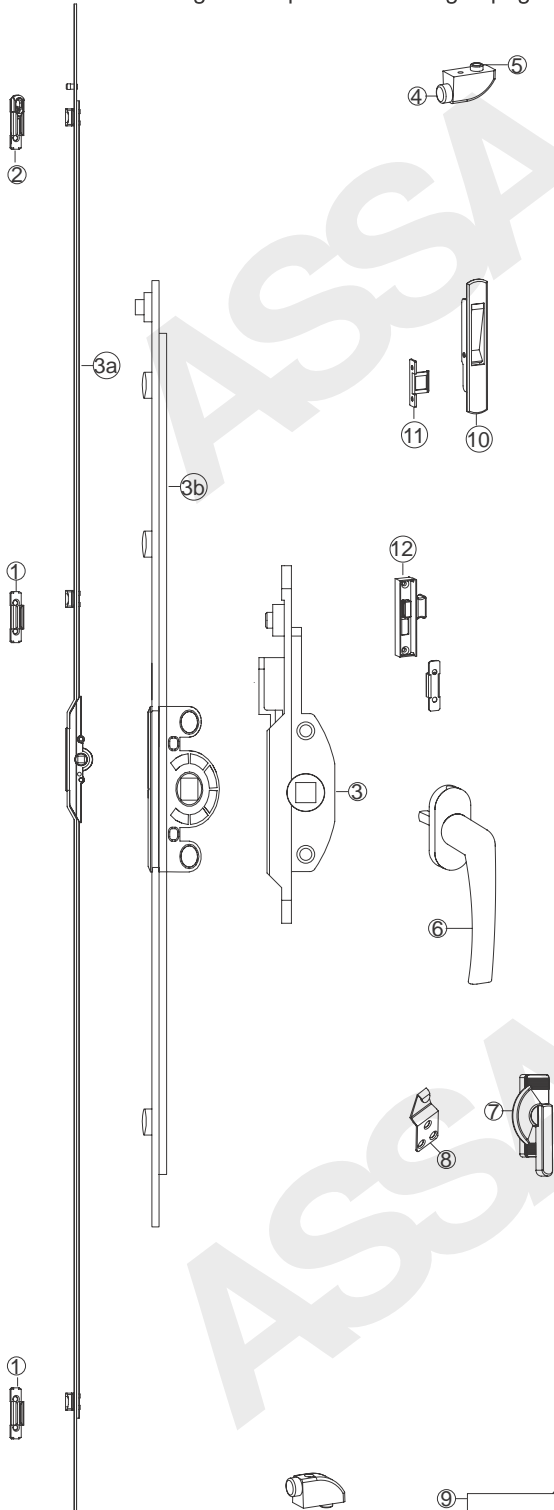
Handle: Alum.  
Handle Base: Alum.



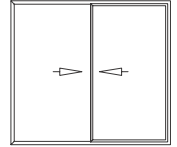


## HARDWARE FOR SLIDING WINDOW

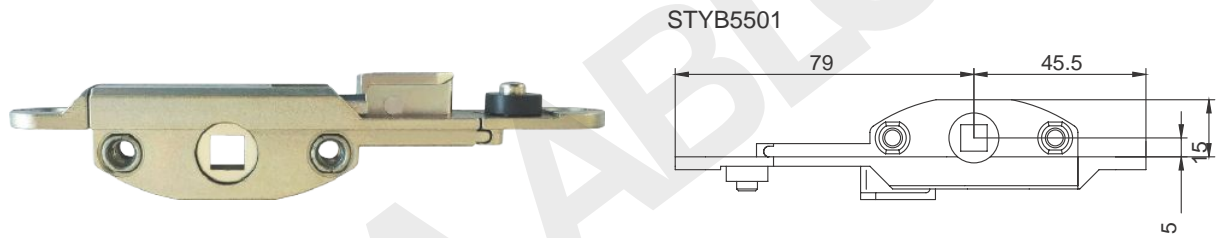
- Sliding espagnolettes are suitable for pvc profile with Euro-slot.
- Different length are optional in sliding espagnolettes.



No.	Name	Item No.	Spec. (MM)	Lock Point Qty
1	Keeper	14506		
2	Keeper	TXK001		
3	Sliding Gearbox(BS:7.5mm)	STYB5501	125	1
3a	Sliding Gear(BS:7.5mm)	CQ32A070242	240	2
		CQ32A07042(GJ)	400	2
		CQ32A07062(GJ)	600	2
		CQ32A07082(GJ)	800	2
		CQ32A07103(GJ)	1000	3
		CQ32A07124(GJ)	1200	4
		CQ32A07144(GJ)	1400	4
		CQ32A07164(GJ)	1600	4
		CQ32A07184(GJ)	1800	4
		CQ32A07204(GJ)	2000	4
		CQ32A07224(GJ)	2200	4
3b	Sliding Gear(BS:15mm)	CQ32C03042(GJ)	400	2
		CQ32C03062(GJ)	600	2
		CQ32C03082(GJ)	800	2
		CQ32C03103(GJ)	1000	3
		CQ32C03124(GJ)	1200	4
		CQ32C03144(GJ)	1400	4
		CQ32C03164(GJ)	1600	4
		CQ32C03184(GJ)	1800	4
		CQ32C03204(GJ)	2000	4
		CQ32C03224(GJ)	2200	4
4	Stopper	12168		
5	Stopper Seat	12169		
6	Handle	FZ1062630		
7	Crescent Lock	TYB118265		
8	Hook For Crescent Lock	B2		Optional as different profile
9	Roller	ST112		
10	Touch Lock L/R	STYB203L/R		
11	Hook For Touch Lock	STYB203-05	Carbon steel	
	Hook For Touch Lock	STYB2035-11	SS304	
12	Lock Bolt	TYB301		



## ESPAGNOLETTE FOR SLIDING WINDOW

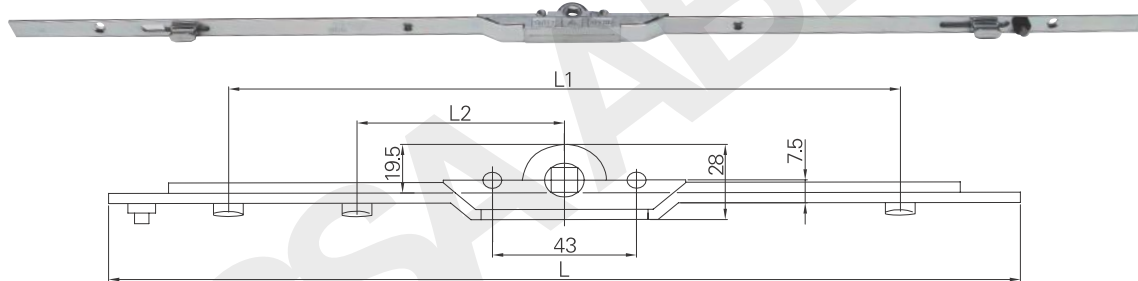


No.	Name	Carbon Steel (Mushroom Lock Point)	
		Item No.	Spec.
1	Espagnolette for Sliding Window (Backset 7.5mm)	CQ32A070242	240mm
2		CQ32A07042(GJ)	400mm
3		CQ32A07062(GJ)	600mm
4		CQ32A07082(GJ)	800mm
5		CQ32A07103(GJ)	1000mm
6		CQ32A07124(GJ)	1200mm
7		CQ32A07144(GJ)	1400mm
8		CQ32A07164(GJ)	1600mm
9		CQ32A07184(GJ)	1800mm
10		CQ32A07204(GJ)	2000mm
11		CQ32A07224(GJ)	2200mm

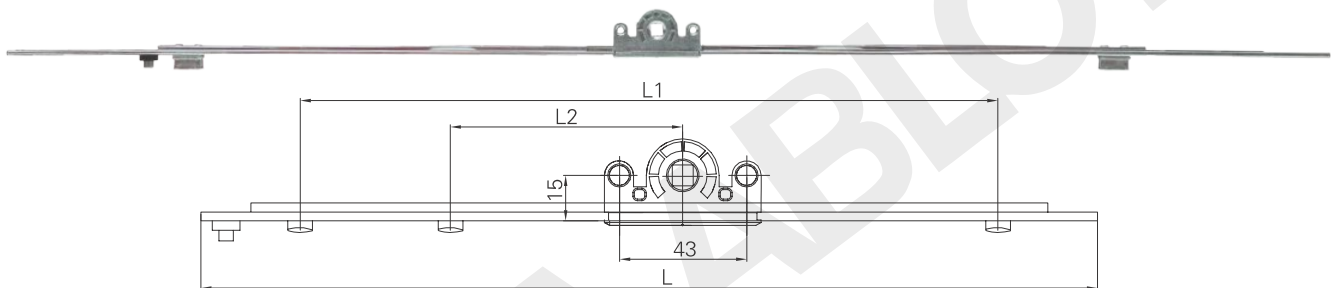


No.	Name	Carbon Steel (Mushroom Lock Point)	
		Item No.	Spec.
1	Espagnolette for Sliding Window (Backset 15mm)	CQ32C030242	240mm
2		CQ32C03042(GJ)	400mm
3		CQ32C03062(GJ)	600mm
4		CQ32C03082(GJ)	800mm
5		CQ32C03103(GJ)	1000mm
6		CQ32C03124(GJ)	1200mm
7		CQ32C03144(GJ)	1400mm
8		CQ32C03164(GJ)	1600mm
9		CQ32C03184(GJ)	1800mm
10		CQ32C03204(GJ)	2000mm
11		CQ32C03224(GJ)	2200mm





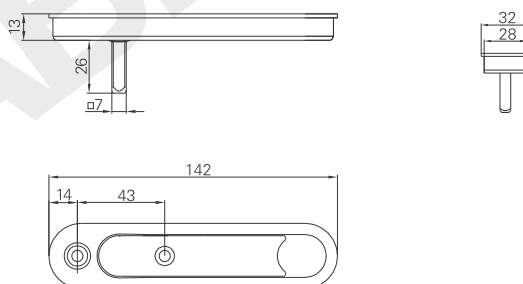
No.	Name	Item No.		L	L1	L2
		Carbon Steel	S.S.304			
1	Espagnolette for Sliding Window (Backset:7.5mm)	CQ32A01042	CQ32A010425	400	310	/
2		CQ32A01062	CQ32A010625	600	360	/
3		CQ32A01082	CQ32A010825	800	560	/
4		CQ32A01102	CQ32A011025	1000	760	/
5		CQ32A01123	CQ32A011235	1200	960	170
6		CQ32A01143	CQ32A011435	1400	1160	170
7		CQ32A01163	CQ32A011635	1600	1360	170
8		CQ32A01183	CQ32A011835	1800	1560	170
9		CQ32A01204	CQ32A012045	2000	1760	170
10		CQ32A01214	CQ32A012145	2100	1800	170



No.	Name	Item No.		L	L1	L2
		Carbon Steel	S.S.304			
1	Espagnolette for Sliding Window (Backset:15mm)	CQ32C01042	CQ32C010425	400	310	/
2		CQ32C01062	CQ32C010625	600	360	/
3		CQ32C01082	CQ32C010825	800	560	/
4		CQ32C01102	CQ32C011025	1000	760	/
5		CQ32C01123	CQ32C011235	1200	960	170
6		CQ32C01143	CQ32C011435	1400	1160	170
7		CQ32C01163	CQ32C011635	1600	1360	170
8		CQ32C01183	CQ32C011835	1800	1560	170
9		CQ32C01204	CQ32C012045	2000	1760	170
10		CQ32C01214	CQ32C012145	2100	1800	170

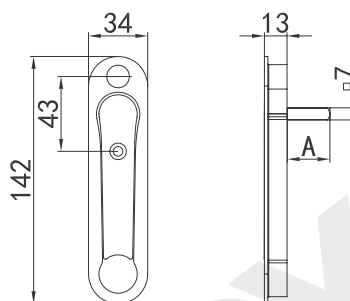
**POP UP HANDLE**

- FZ3011226



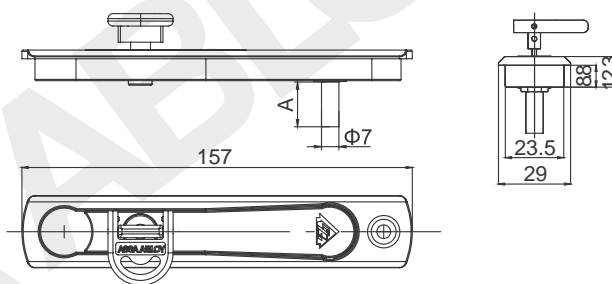
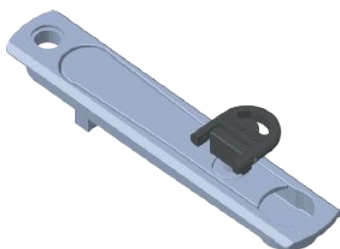
Material: aluminium

- FZ3031126



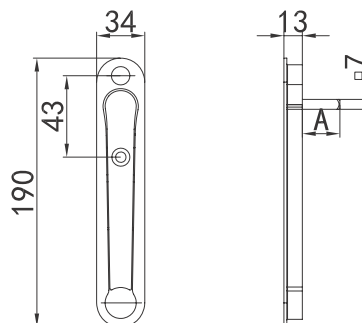
Material: zamak

- FZ3051126



Material: zamak

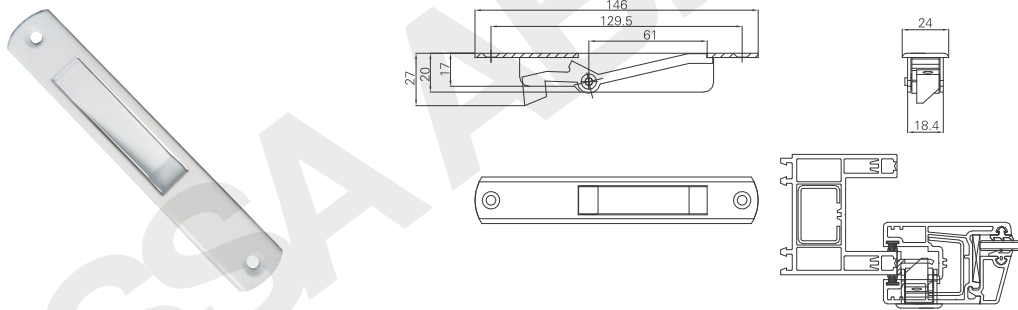
- FZ3021126



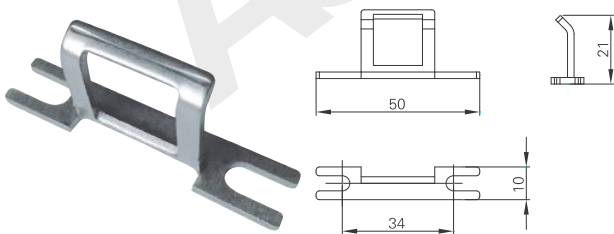
Material: zamak

**TOUCH LOCK, SLIDING GEAR AND OTHERS**

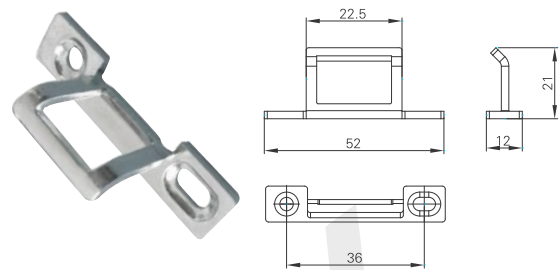
• STYB203L/R



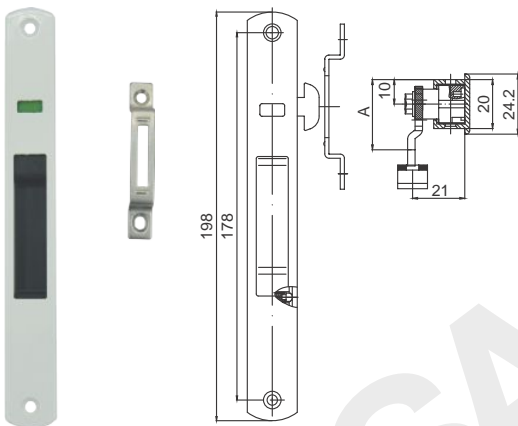
• STYB2035-11



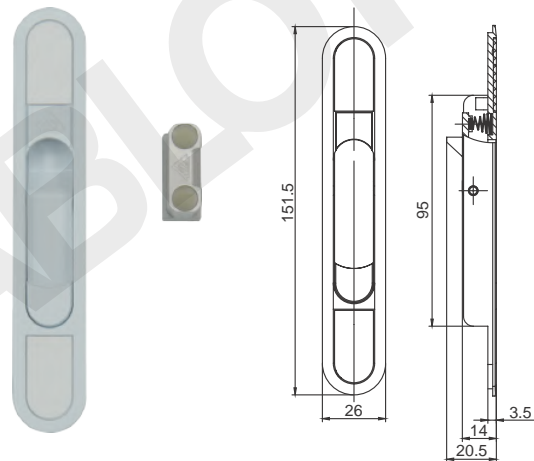
• STYB203-05



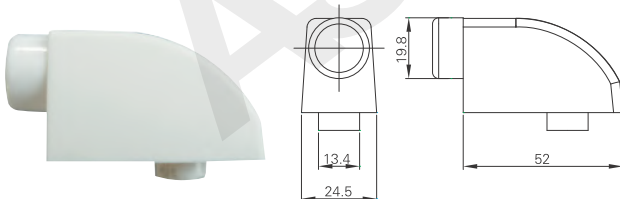
• STYB204



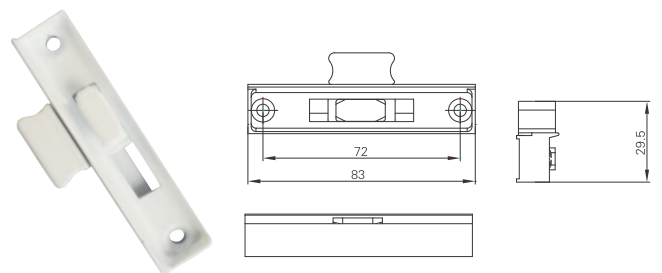
• STYB206+STYB206D1(Keeper)



• 12168+12169

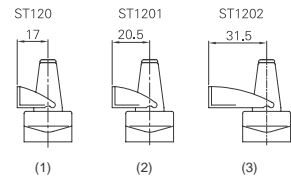
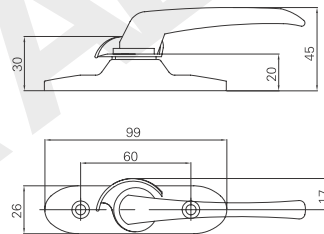


• TYB301



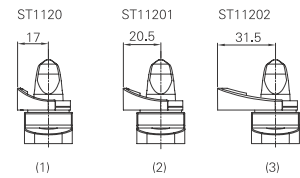
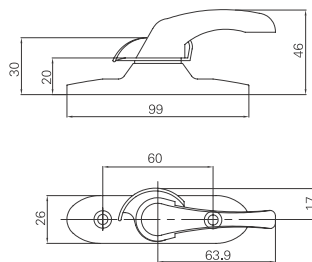
**CRESCENT LOCK**

- (1) TYB107300XL/R
- (2) TYB107300.1XL/R
- (3) TYB107300.2XL/R



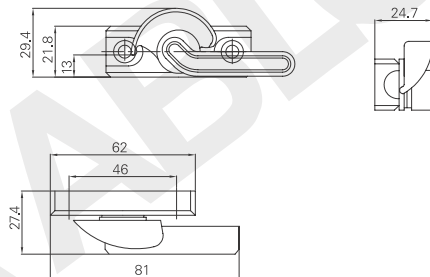
• Left or Right

- (1) TYB102300XL/R
- (2) TYB102300.1XL/R
- (3) TYB102300.2XL/R



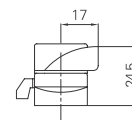
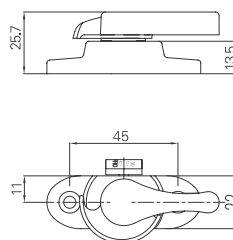
• Left or Right

TYB108247L/R



• Left or Right

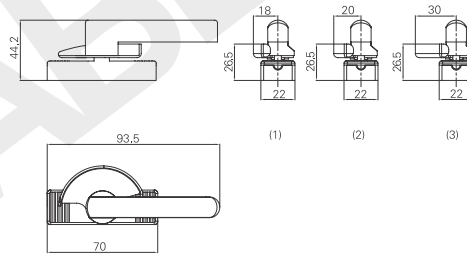
TYB109227L/R



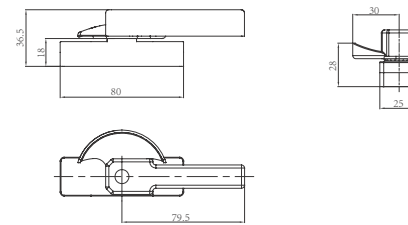
• Left or Right

**CRESCENT LOCK**

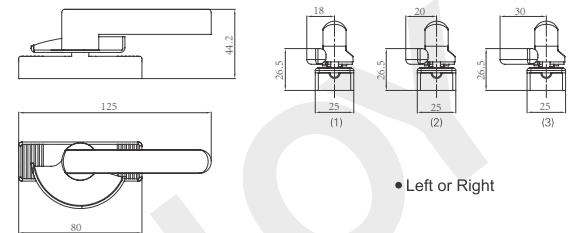
- (1)TYB121265L/R (2)TYB120265L/R (3)TYB119265L/R



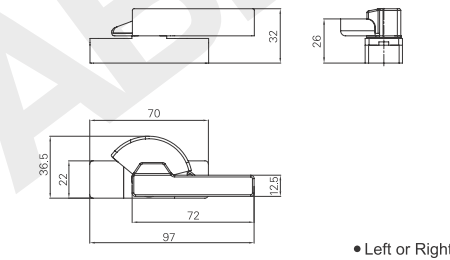
- TYB113280



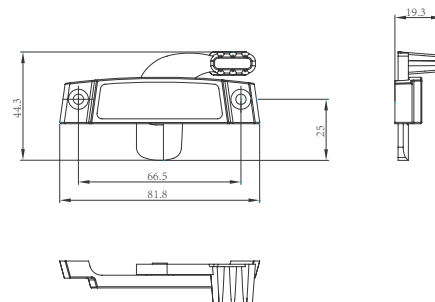
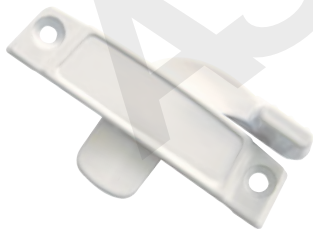
- (1)TYB118265L/R (2)TYB117265L/R (3)TYB116265L/R



- TYB122260L/R



- TYB139015R



## HOOK FOR CRESCENT LOCK

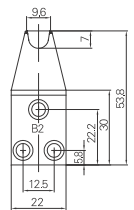
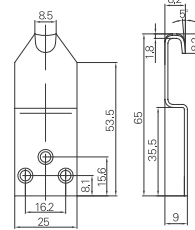
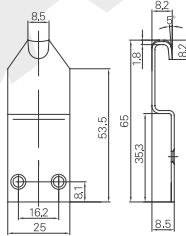
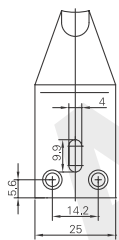


A

B

B1

B2

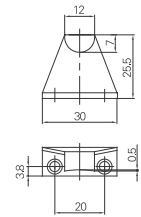
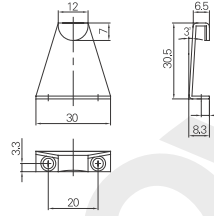
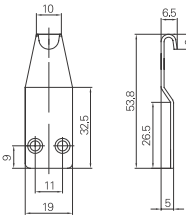
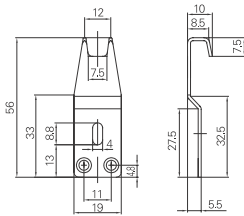


C

C2

modified E

E

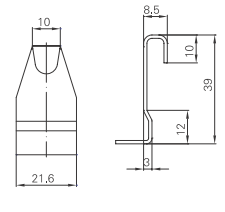
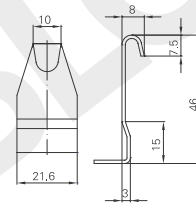
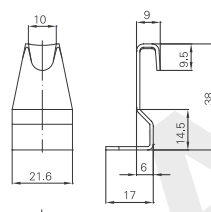
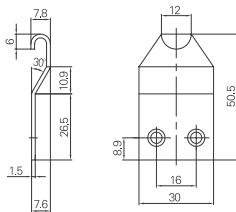


F1

G2

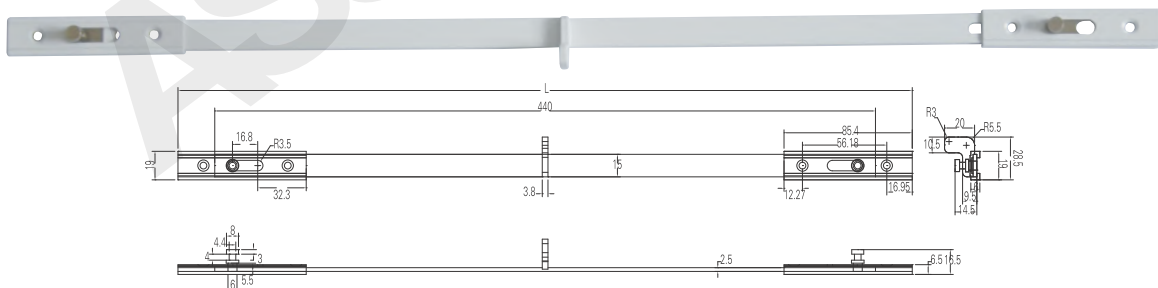
G3

G4



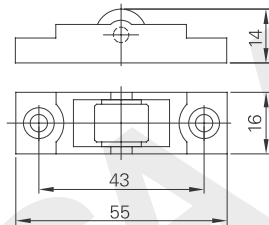
## Multi-Point Sliding Lock For South America Market

- GQSL600 (L=500mm; 2 locking points) / GQSL1200 (L=1200mm; 2 locking points)



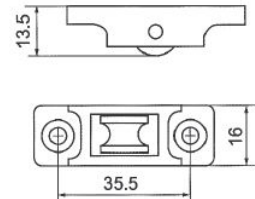
**ROLLER**

• ST111-T



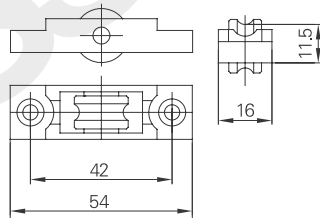
Max bearing weight: 30kg

• RL901



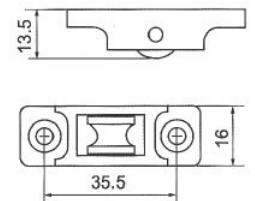
Max bearing weight: 30kg

• ST112



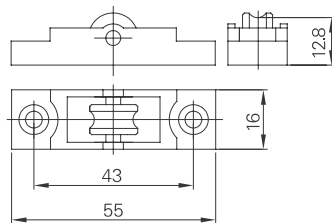
Max bearing weight: 30kg

• RL902



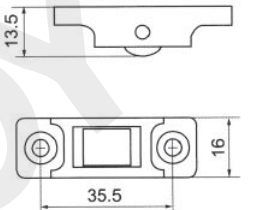
Max bearing weight: 30kg

• ST113-T



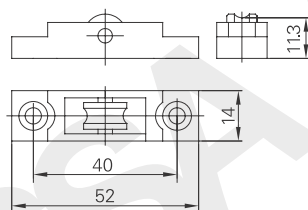
Max bearing weight: 30kg

• RL904



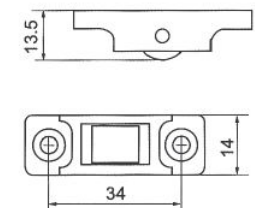
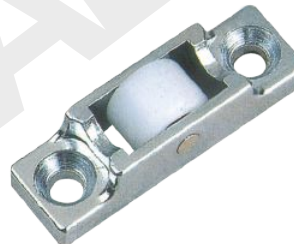
Max bearing weight: 30kg

• ST104C-T



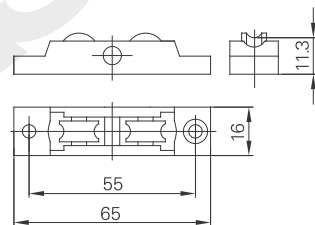
Max bearing weight: 30kg

• RL906



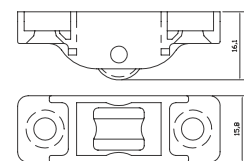
Max bearing weight: 30kg

• ST108



Max bearing weight: 30kg

• RL23

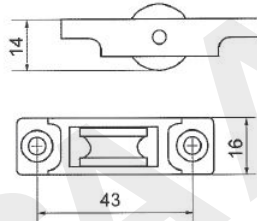
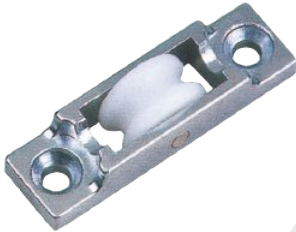


Max bearing weight: 30kg



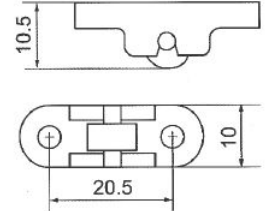
**ROLLER**

• RL911



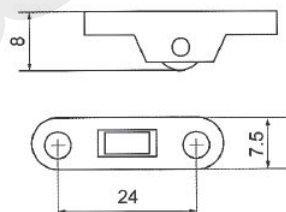
Max bearing weight: 30kg

• RL912



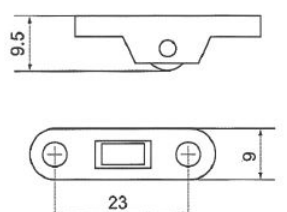
Max bearing weight: 5kg

• RL913



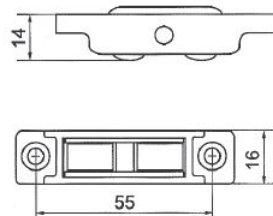
Max bearing weight: 5kg

• RL914



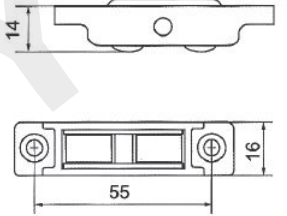
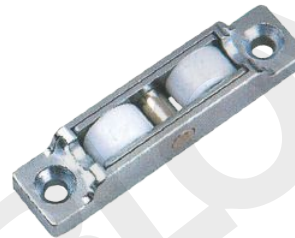
Max bearing weight: 5kg

• RL915



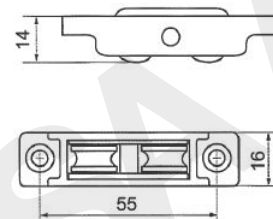
Max bearing weight: 50kg

• RL916



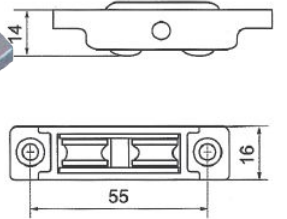
Max bearing weight: 50kg

• RL917



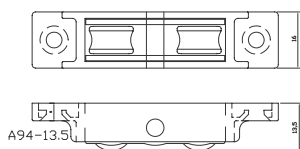
Max bearing weight: 50kg

• RL918



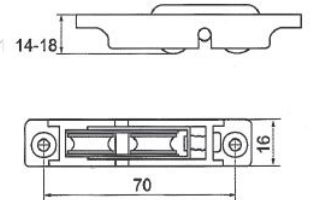
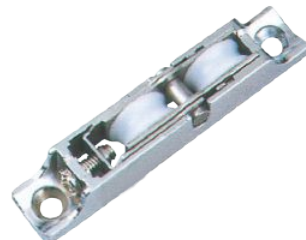
Max bearing weight: 50kg

• RL94



Max bearing weight: 50kg

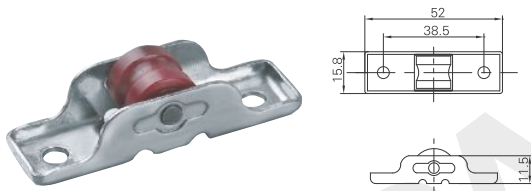
• RL920



Max bearing weight: 50kg

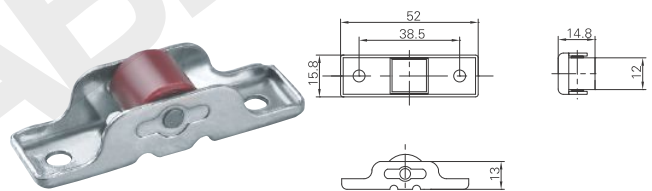
**ROLLER**

• RG801



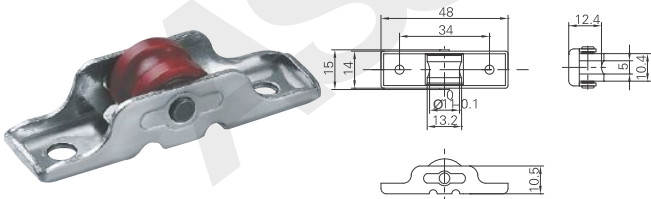
Max bearing weight: 30kg

• RG802



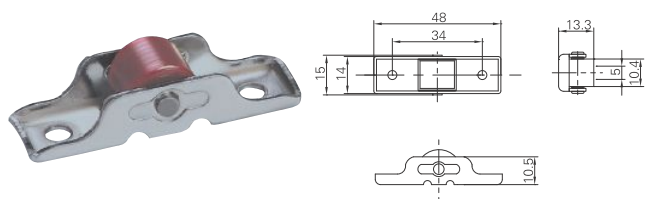
Max bearing weight: 30kg

• RG803



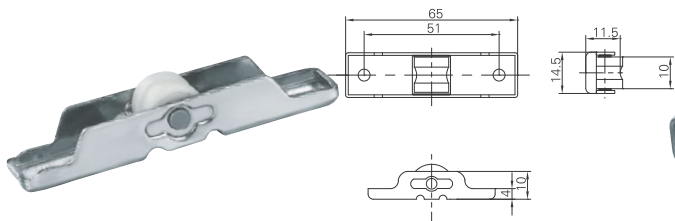
Max bearing weight: 30kg

• RG804



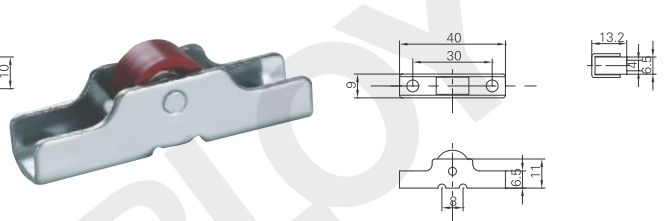
Max bearing weight: 30kg

• RG807



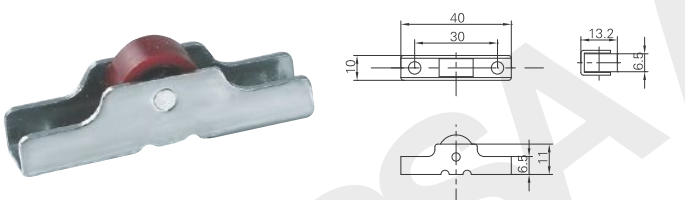
Max bearing weight: 30kg

• RG808



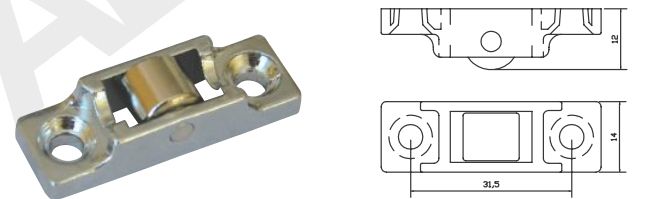
Max bearing weight: 30kg

• RG809



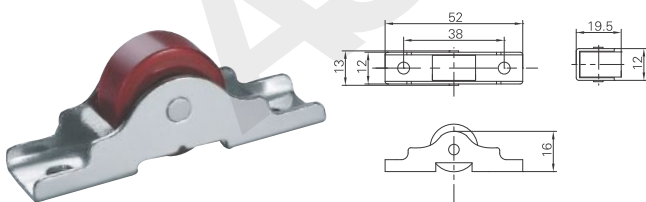
Max bearing weight: 30kg

• RL63



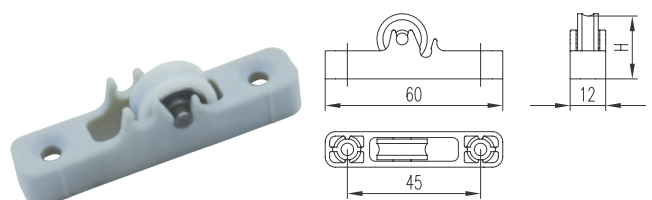
Max bearing weight: 30kg

• RG811



Max bearing weight: 30kg

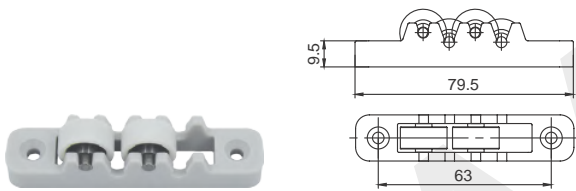
• SL1U0012001



H: 17 or 21mm adjustable  
Max bearing weight: 50kg

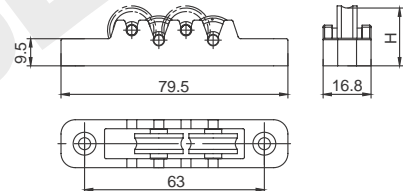
**ROLLER**

- SL2IP0017001 (Flat Roller)



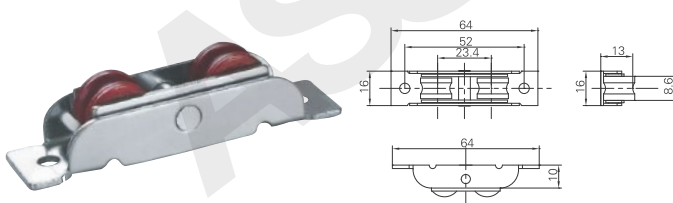
Height : 17.5mm or 21mm (Adjustable)  
Max Bearing Weight : 80kgs

- SL2IU0017001 (Groove Roller)



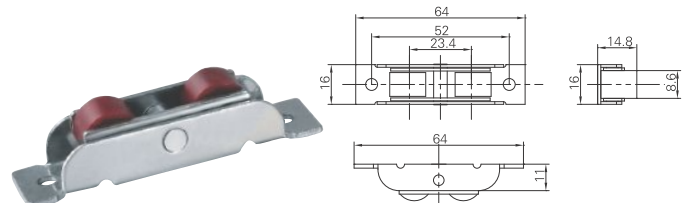
Height : 16.7mm or 20.2mm (Adjustable)  
Max Bearing Weight : 80kgs

- RG813



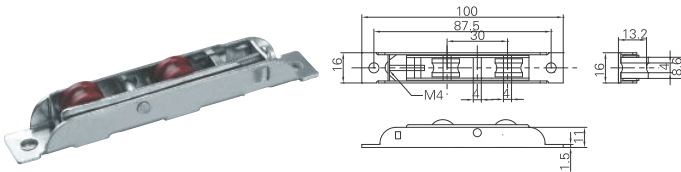
Max bearing weight: 50kg

- RG814



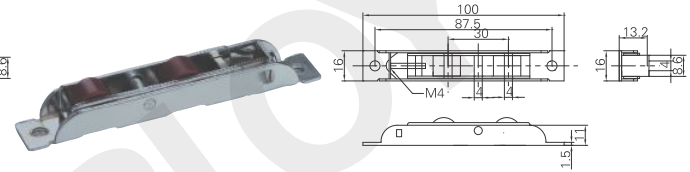
Max bearing weight: 50kg

- RG817



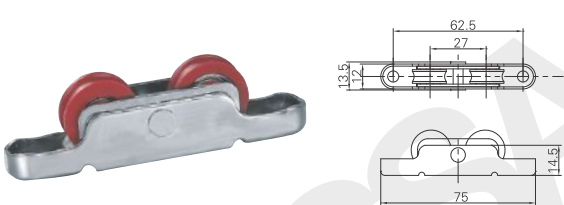
Max bearing weight: 50kg

- RG818



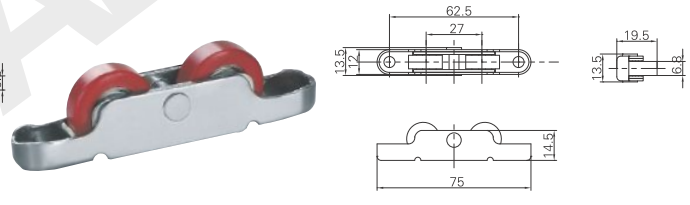
Max bearing weight: 50kg

- RG819



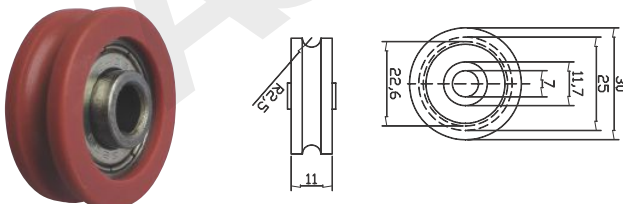
Max bearing weight: 50kg

- RG820

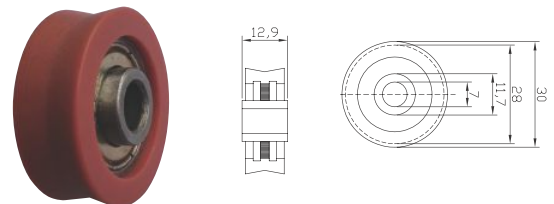


Max bearing weight: 50kg

- P05206

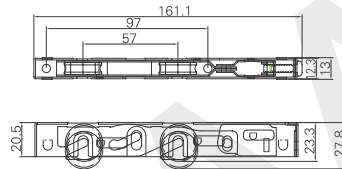


- P05202



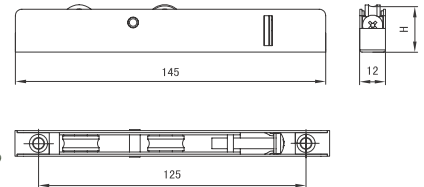
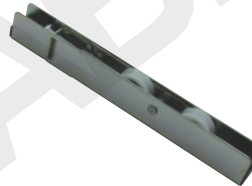
**ROLLER**

•RG822



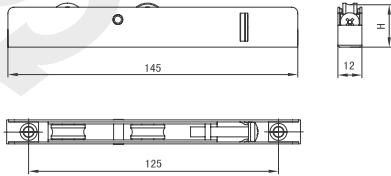
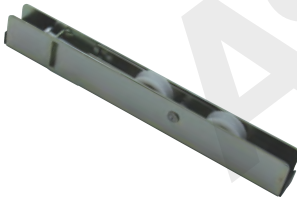
Max bearing weight: 100kg

• SL2IU0012009 (Carbon Steel Frame)  
• SL2IU0012009.1 (SS304 Frame)



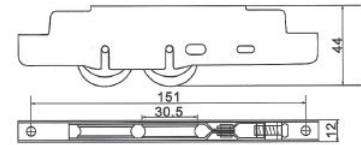
Adjustable:20-26  
Max bearing weight: 100kg

• SL2IU0012010 (Carbon Steel Frame)  
• SL2IU0012010.1 (SS304 Frame)



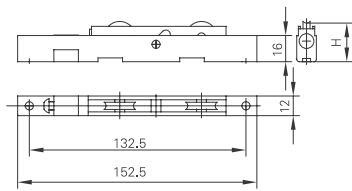
Adjustable:17.5-23.5  
Max bearing weight: 100kg

• RL922



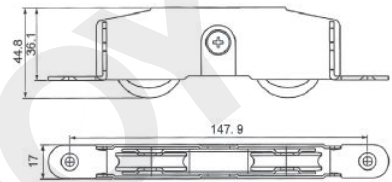
Adjustable:38.5-44  
Max bearing weight: 100kg

• SL01122U



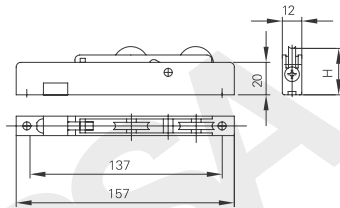
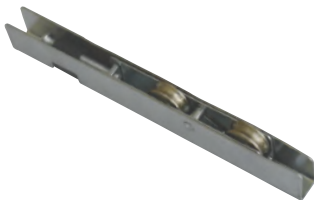
H:17.5~23.5  
Max bearing weight: 90kg

• RL923



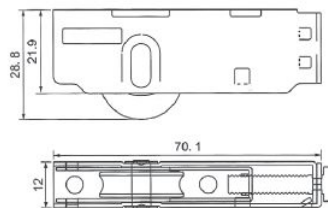
Adjustable:39.8-44.8  
Max bearing weight: 120kg

• T12T



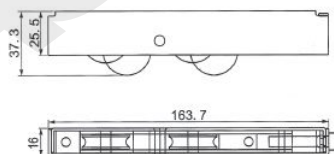
H: 22~28  
Max bearing weight: 90kg

• RL924



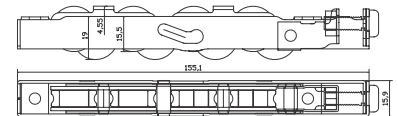
Adjustable:22.5-28.8  
Max bearing weight: 50kg

• RL925



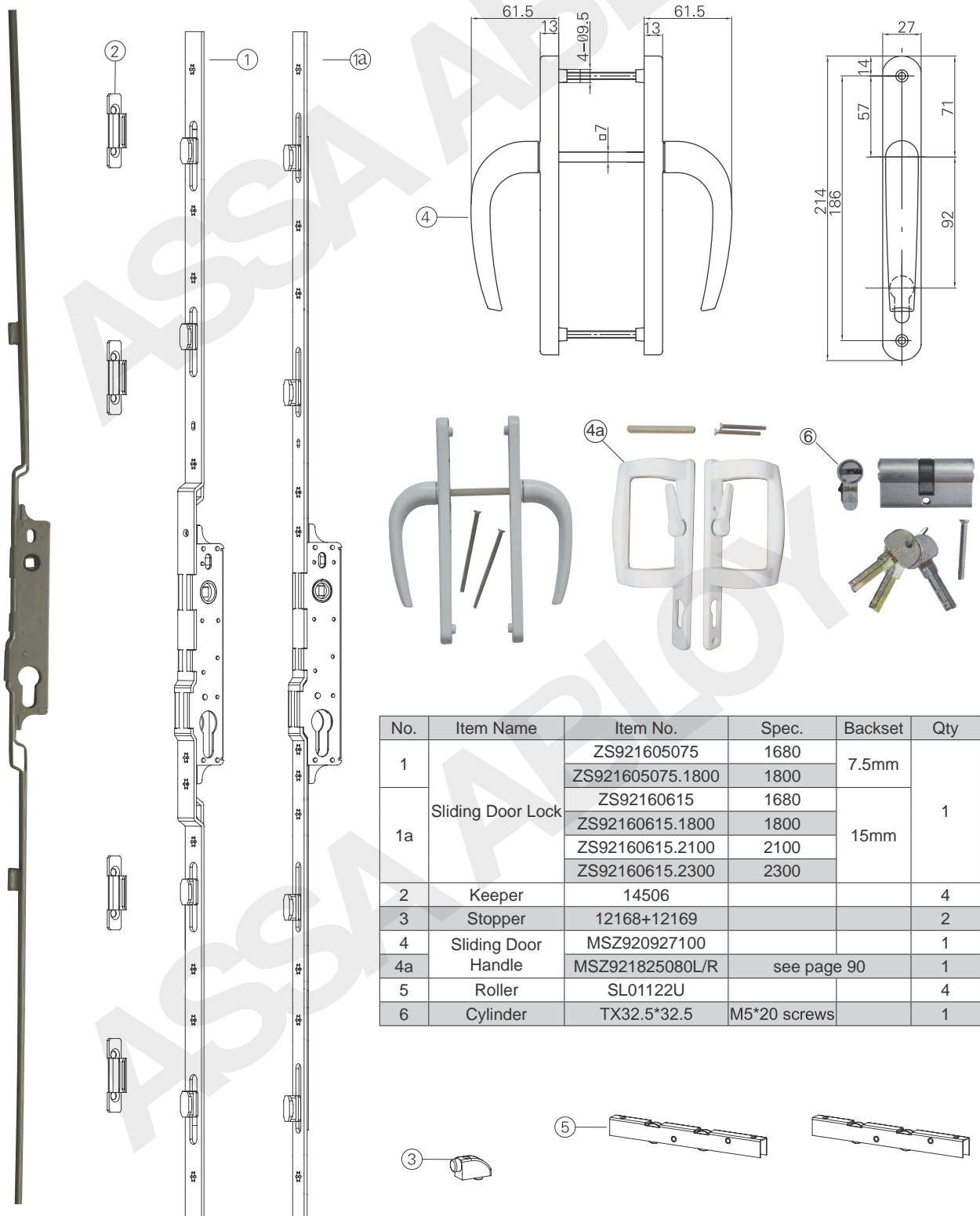
Adjustable:30-37.3  
Max bearing weight: 100kg

• RL926



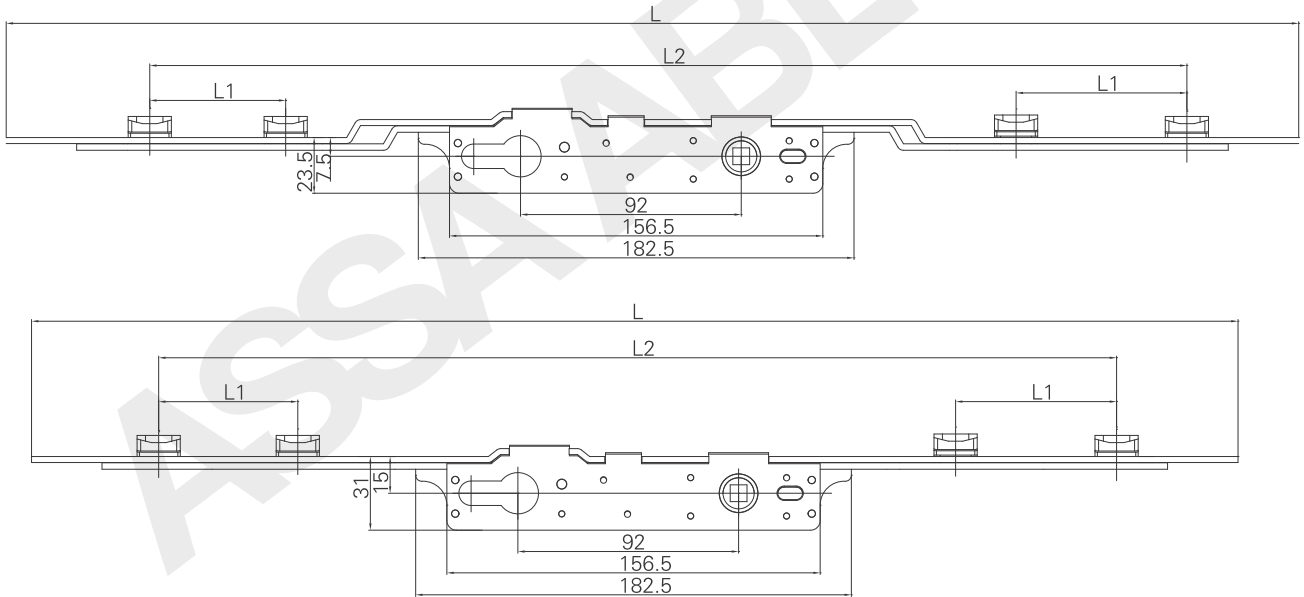
Adjustable:14-19  
Max bearing weight: 200kg

**SLIDING DOOR LOCK**

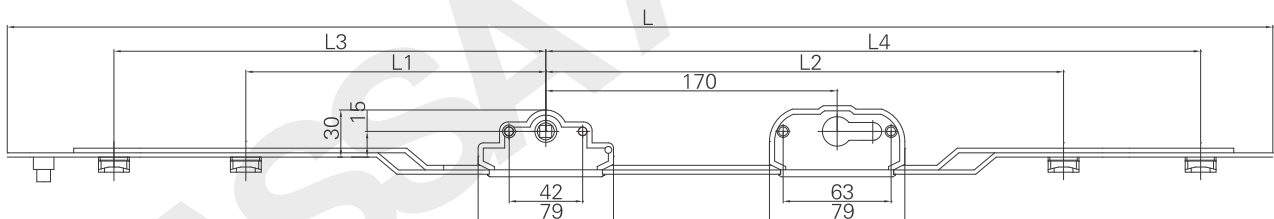


No.	Item Name	Item No.	Spec.	Backset	Qty
1	Sliding Door Lock	ZS921605075	1680	7.5mm	1
		ZS921605075.1800	1800		
1a	Sliding Door Lock	ZS92160615	1680	15mm	1
		ZS92160615.1800	1800		
		ZS92160615.2100	2100		
		ZS92160615.2300	2300		
2	Keeper	14506			4
3	Stopper	12168+12169			2
4	Sliding Door Handle	MSZ920927100			1
4a	Sliding Door Handle	MSZ921825080L/R	see page 90		1
5	Roller	SL01122U			4
6	Cylinder	TX32.5*32.5	M5*20 screws		1

## SLIDING DOOR LOCK



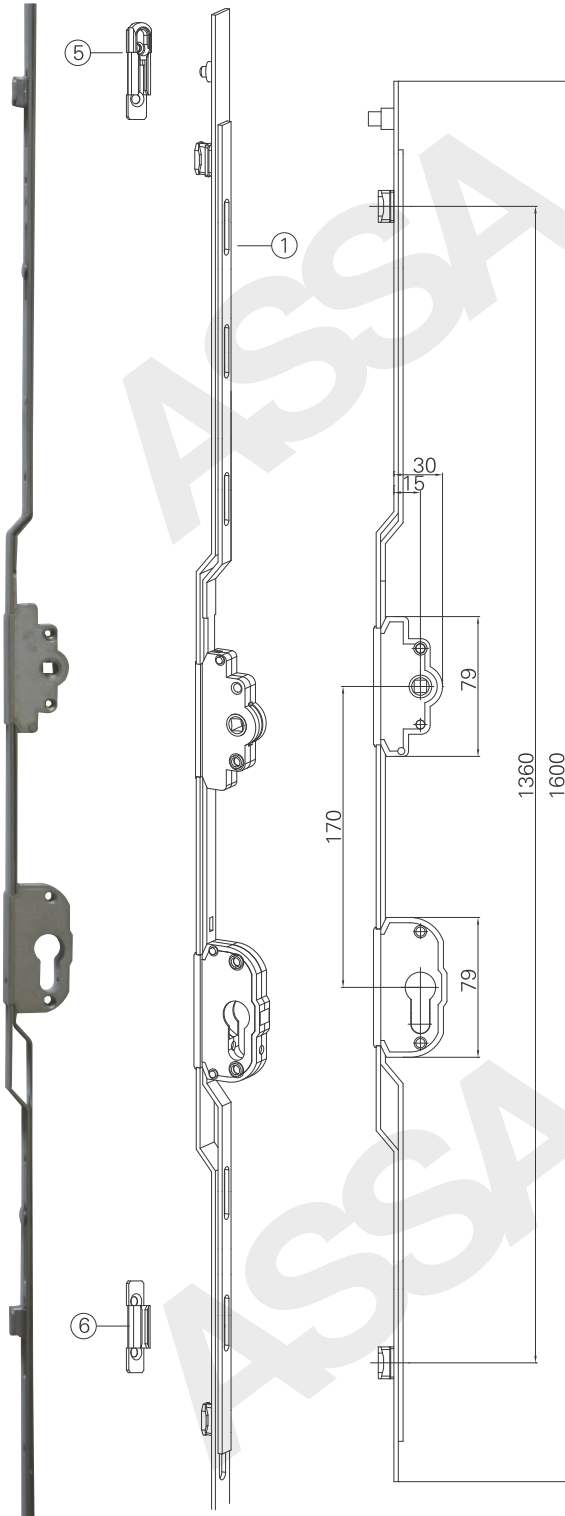
No.	Name	Item No.	Spec.	Backset	L	L1	L2
1	Sliding Door gear	ZS921605075	1680	7.5mm	1680	535	1517
2		ZS921605075A	1680, SS304		1680	535	1517
3		ZS921605075.1800	1800		1800	595	1637
4		ZS921605075A.1800	1800, SS304		1800	595	1637
5		ZS921605075.2200	2200		2200	690	1960
6		ZS921605075A.2200	2200, SS304		2200	690	1960
7		ZS92160615	1680	15mm	1680	535	1517
8		ZS92160615.1800	1800		1800	595	1637
9		ZS92160615.2100	2100		2100	745	1937
10		ZS92160615.2300	2300		2300	845	2137



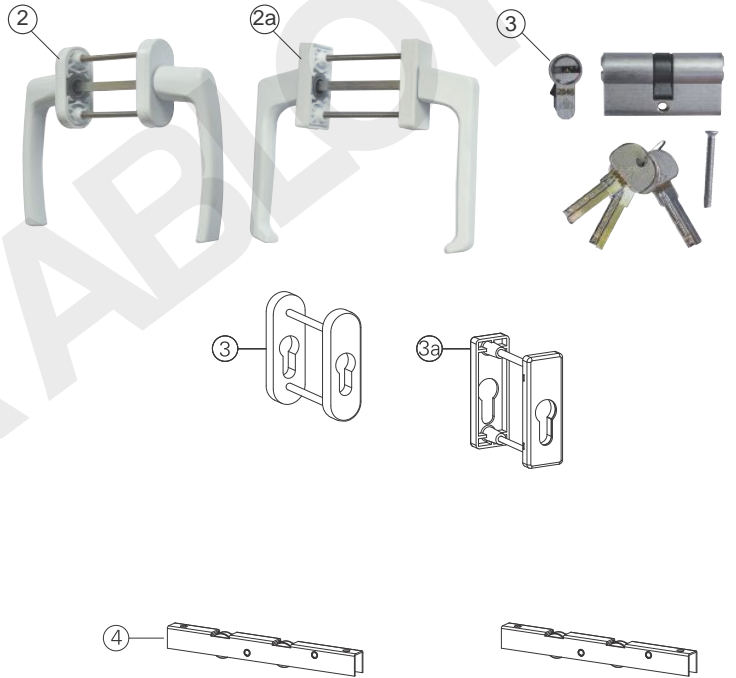
No.	Name	Item No.	Spec.	Backset	L	L1	L2	L3	L4
1	Sliding Door Lock	CQS32C02162.1	1600	15mm	1600	/	/	680	680
2		CQS32C021625.1	1600, SS304		1600	/	/	680	680
3		CQS32C02184.1	1800		1800	335	400	780	780
4		CQS32C02204.1	2000		2000	335	400	880	880



**SLIDING DOOR LOCK**

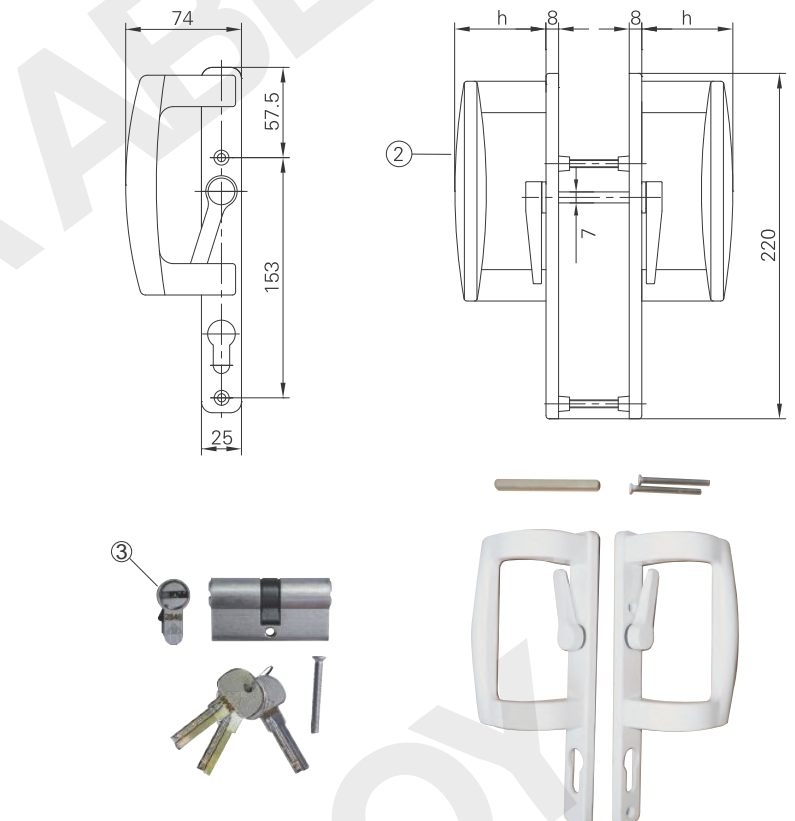
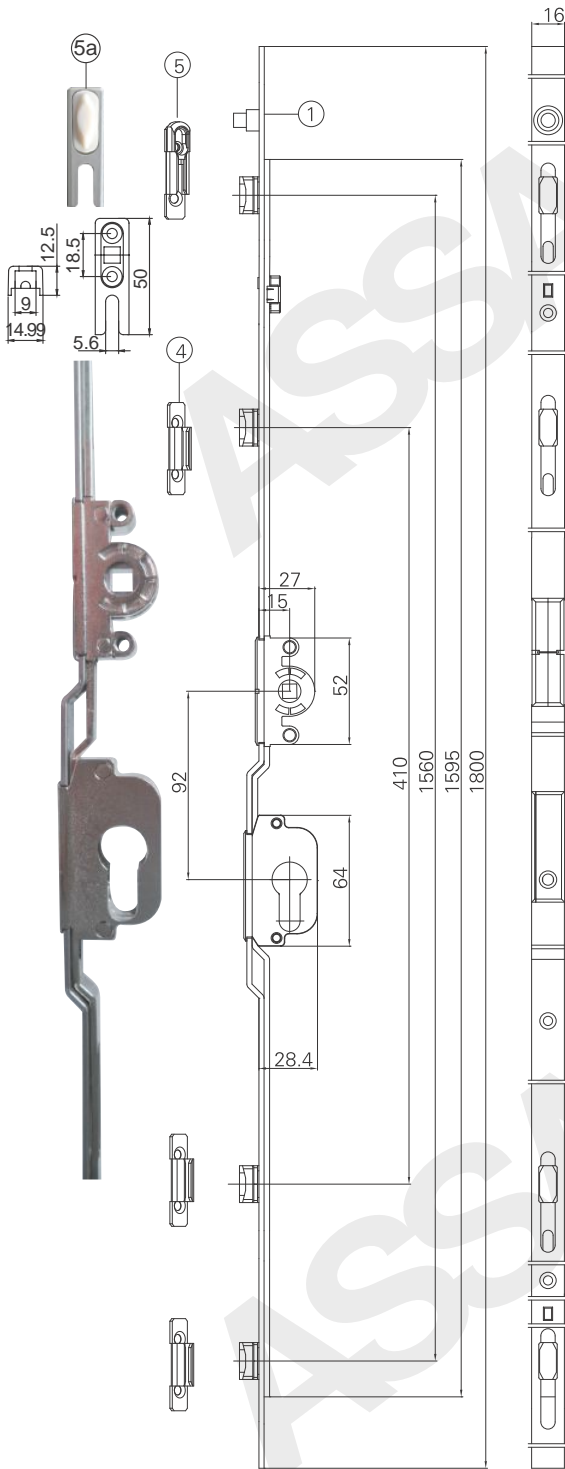


No.	Name	Item No.	Spec.	Qty.
1	Sliding Door gear	CQS32C02162	BS:15mm,1600mm	1
		CQS32C021625.1		
		CQS32C02184.1	BS:15mm,1800mm	
		CQS32C02204.1	BS:15mm,2000mm	
2	Door Handle	SMZ11105.1		1
2a		SMZ08105B.1		
3	Cylinder Cover	SSB02		1
3a		SSB03		
4	Roller	SL01122U		4
5	Keeper	TXK001		1
6	Keeper	14506		3
7	Cylinder	MDD30*30		1

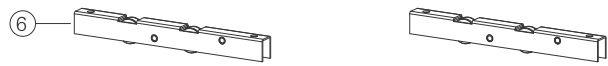




**SLIDING DOOR LOCK**



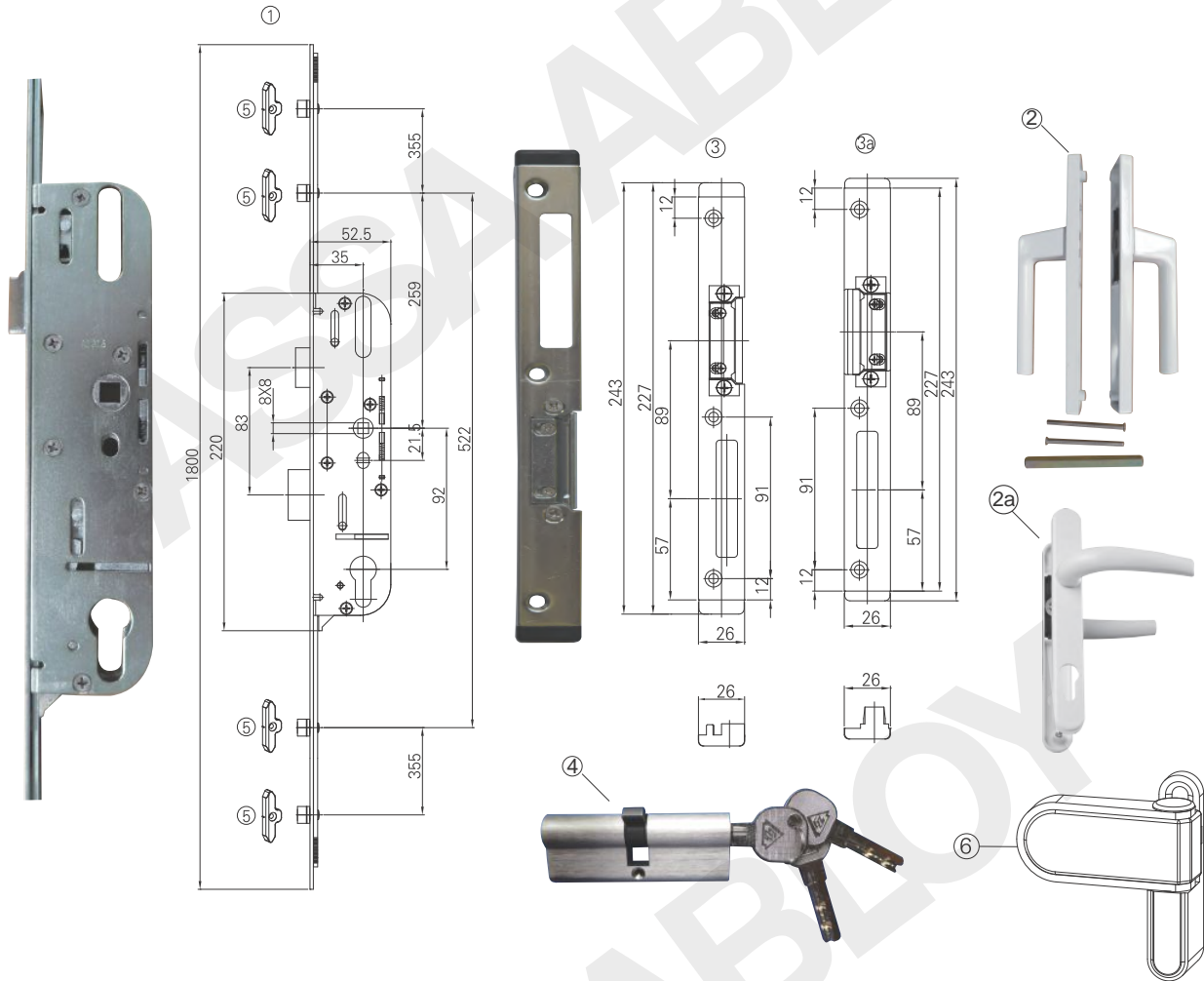
No.	Name	Item No.	Spec.	Qty.
1	Sliding Door gear	CQS32C21184 (carbon steel)	BS: 15mm, 1800mm	1
		CQS32C211845.1 (stainless steel)		
		CQS32C21224 (carbon steel)	BS: 15mm, 2200mm	
		CQS32C212245 (stainless steel)		
2	Door handle (see page 90-93 for more options)	MSZ921825080L/R	h=58mm	1
		MSZ922625077L/R	h=42mm	
3	Cylinder	MDD30*30		1
4	Keeper	14506		3
5	Keeper	TXK001		1
5a	Keeper	TLXK003		1
6	Roller	SL01122U		4



## DOOR LOCK

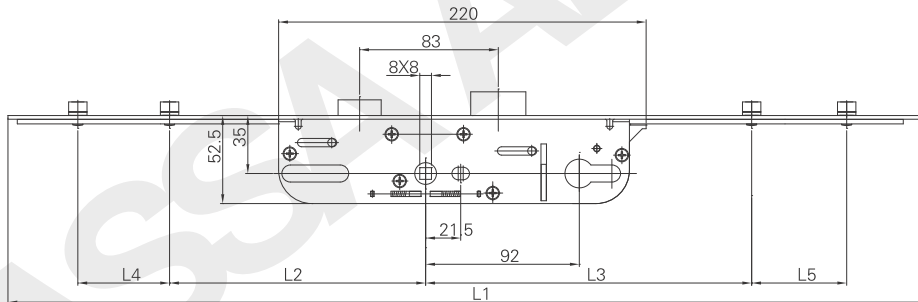
Suitable for UPVC Profile with Euro-Slot

Suitable for sash height: 2000mm~2600mm

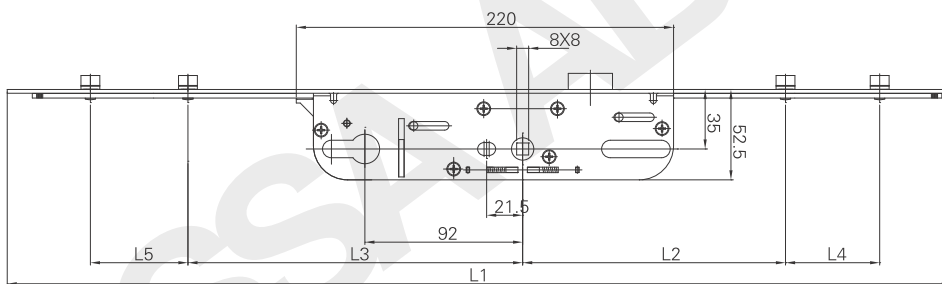


No.	Name	Spec.	Item No.	Qty.
1	Door Lock with teeth	BS: 35mm, 1800mm	ZS92160235	1
		BS: 35mm, 2000mm	ZS92160235.2000	1
2	Door Handle	Handle Base Width:29mm	MSZ921929100	1
		Handle Base Width:33mm	MSZ922033105	1
2a	Door Handle	Handle Base Width:27mm	MSZ920727100.2	1
3	Latch Plate	For Single Sash	SHB03L/R	1
3a		For Double Sash	SHB04L/R	1
4	Cylinder	According to the profile	MDD42.5*42.5	1
5	Keeper	For Single Sash	10256	4
	Mullion Keeper	For Double Sash	10843	
6	Door Hinge	See page 88 for more options	MJ10050900	3

# DOOR LOCK

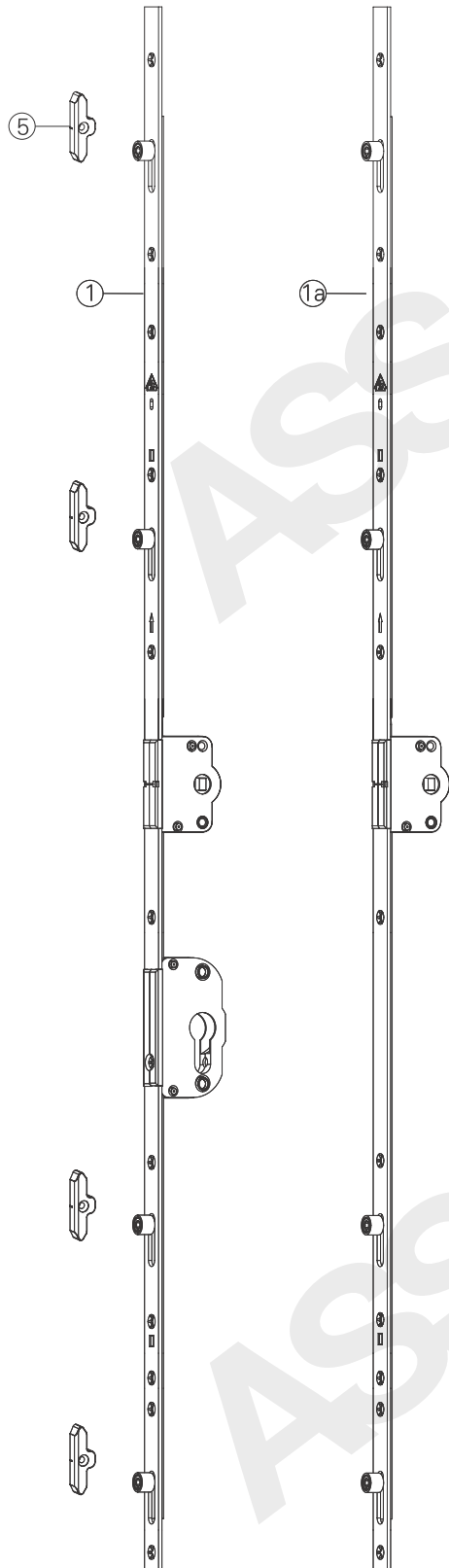


No.	Name	Spec.	Item No.	L1	L2	L3	L4	L5
1	Door Lock without teeth	BS: 35mm, 1600mm	ZS92160435.1600	1600	259	263	465	465
2		BS: 35mm, 1800mm	ZS92160435.1800	1800	259	263	565	565
3		BS: 35mm, 2000mm	ZS92160435.2000	2000	259	263	665	665
4		BS: 35mm, 2200mm	ZS92160435.2200	2200	259	263	765	765
5	Mortise Door Lock	BS: 35mm, 300mm	DS92160335	Handle controls both latch and dead bolt				
6	Bathroom Door Lock	BS: 35mm, 300mm	DS92160435	Handle controls only latch and cylinder controls dead bolt				



No.	Name	Spec.	Item No.	L1	L2	L3	L4	L5
1	Door Lock without deadbolt	BS: 35mm, 1800mm	ZS00160235 (Carbon Steel)	1800	259	263	355	355
			ZS00160235A (SS304)	1800	259	263	355	355
2		BS: 35mm, 2200mm	ZS00160435.2200 (Carbon Steel)	2200	259	263	765	765
			ZS00160435A.2200 (SS304)	2200	259	263	765	765

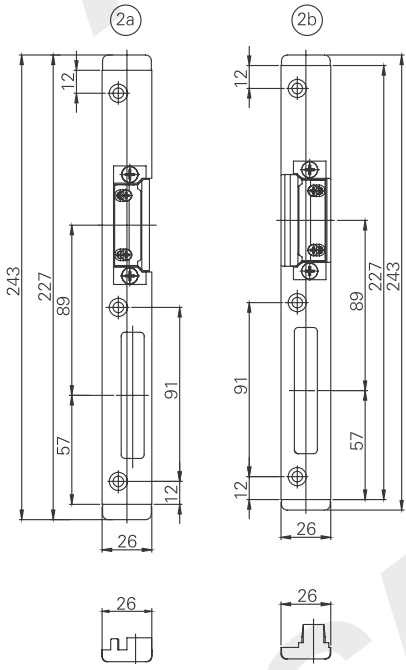
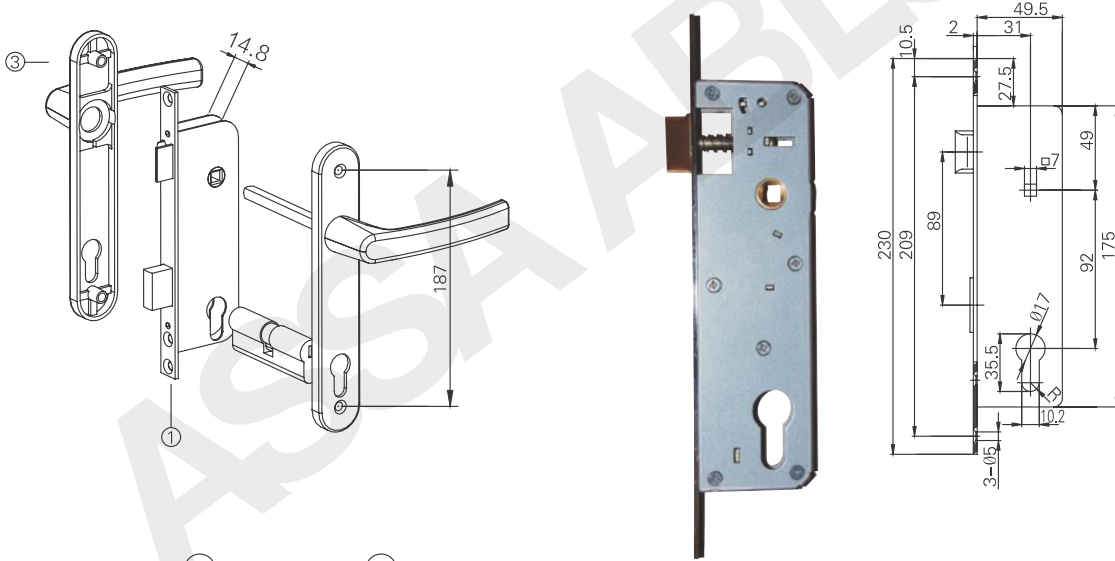
**DOOR LOCK**



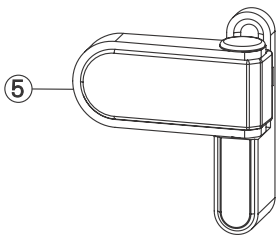
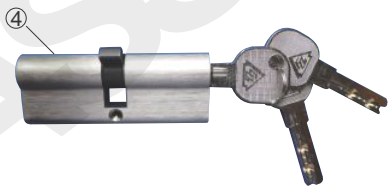
No.	Name	Item No.	Spec.(mm)	Backset	Lock Width
1	Door Gear with Cylinder	CQS02J22164	1600	45mm	60mm
		CQS02J22184	1800		
		CQS02J22204	2000		
		CQS02Q21164	1600		
		CQS02Q21184	1800	40mm	55mm
		CQS02Q21204	2000		
		CQS02I24164	1600		
		CQS02I24184	1800		
		CQS02I24204	2000	35mm	50mm
		CQS02H24164	1600		
		CQS02H24184	1800		
		CQS02H24204	2000		
		CQS02H24224	2200	30mm	45mm
		CQS02H25244	1900-2400		
		CQS02F24164	1600		
		CQS02F24184	1800		
CQS02F24204	2000	25mm	40mm		
CQ02J02164	1600				
CQ02J02184	1800				
CQ02J02204	2000				
1a	Door Gear without Cylinder	CQ02Q01164	1600	40mm	55mm
		CQ02Q01184	1800		
		CQ02Q01204	2000		
		CQ02I06164	1600		
		CQ02I06184	1800	35mm	50mm
		CQ02I06204	2000		
		CQ02H06164	1600		
		CQ02H06184	1800		
		CQ02H06204	2000	30mm	45mm
		CQ02H06224	2200		
		CQ02H07240	1900-2400		
		CQ02H08224	1900-2400		
		CQ02F06164	1600	25mm	40mm
		CQ02F06184	1800		
		CQ02F06204	2000		
		SMZ11105.1			
2	Door Handle	SMZ11105.1			
2a		SMZ10105B.1			
3	Door Cover	SSB02			
3a		SSB03			
4	Door Hinge	MJ10050900			
5	Keeper	10256			
6	Cylinder	MDD40*40			



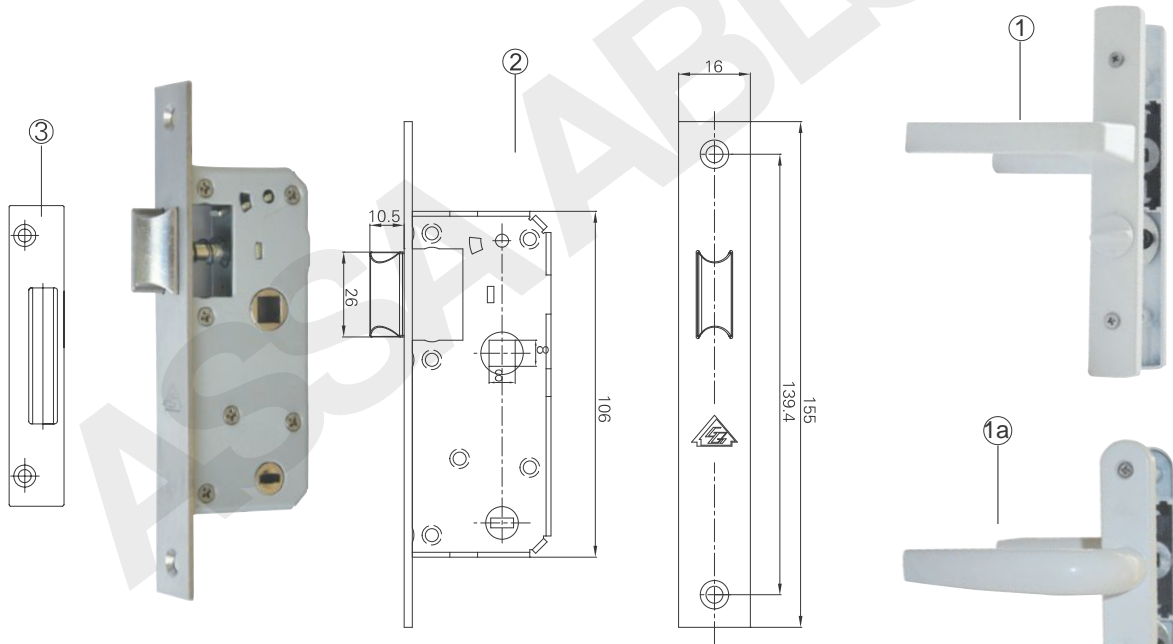
DOOR LOCK



No.	Name	Item No.	Spec.	Qty.
1	Door Lock	DS92160235	BS: 30mm	1
2a	Latch Plate	SHB03L/R	for single sash	1
2b	Latch Plate	SHB04L/R	for double sash	
3	Door Handle	MSZ920833100	L/R	1
4	Cylinder	MDD40*40	According to the profile	1
5	Door Hinge	See page 84 for more options	MJ10050900	3

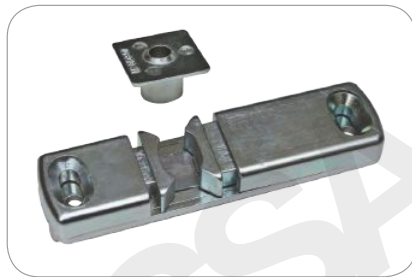


**DOOR LOCK**

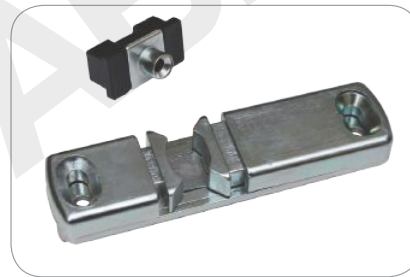


No.	Name	Item No.	Qty.
1	Door Handle	MSZ002129090	1
1a		MSZ001927090	1
2	Door Lock (backset:30mm)	DS00160530	1
	Door Lock (backset:25mm)	DS00160526	1
	Door Lock (backset:35mm)	DS00160535	1
3	Lock Plate	SHB05	1

Spindle length: 90、100、105



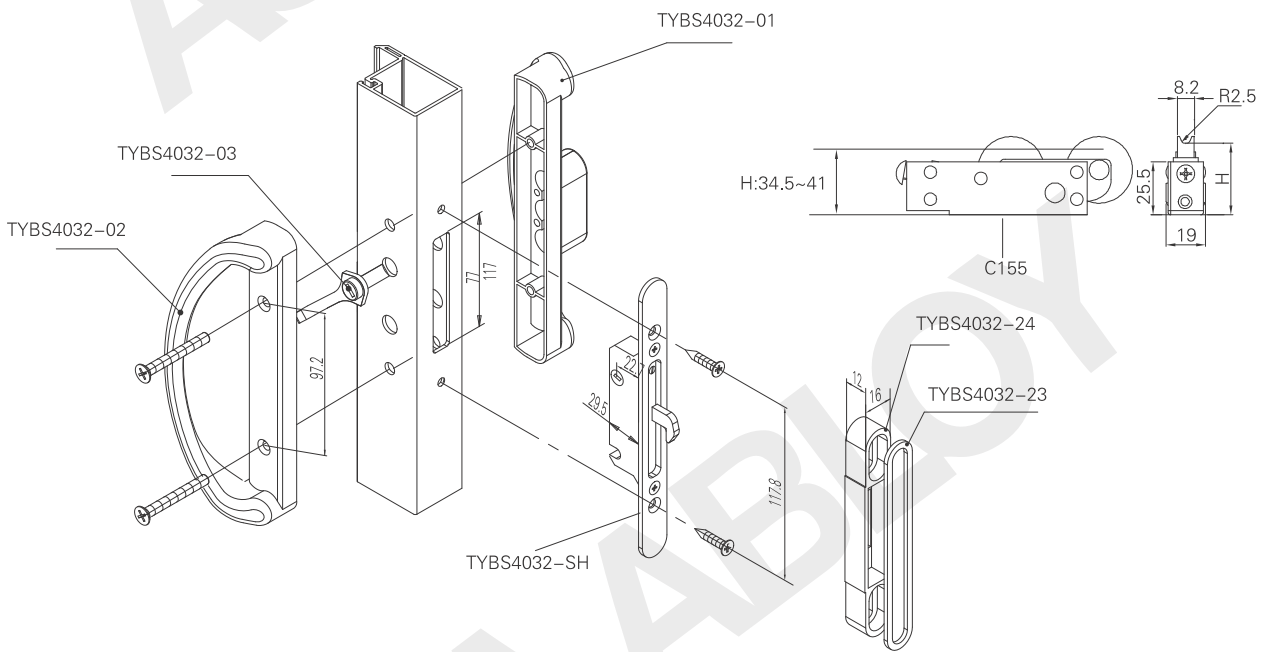
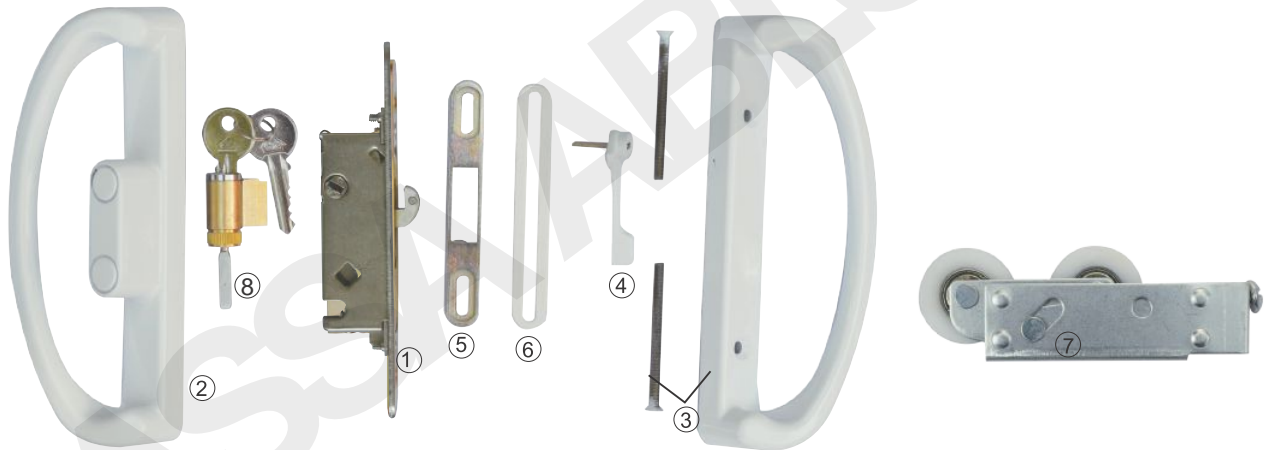
①



②

No.	Item Name	Item No.	Spec.	Remark
1	Door Touch Bolt	MP0109	9mm	fixed on transmission gear
		MP0113	13mm	
2	Door Touch Bolt	MP0209	9mm	fixed on profile directly
		MP0213	13mm	

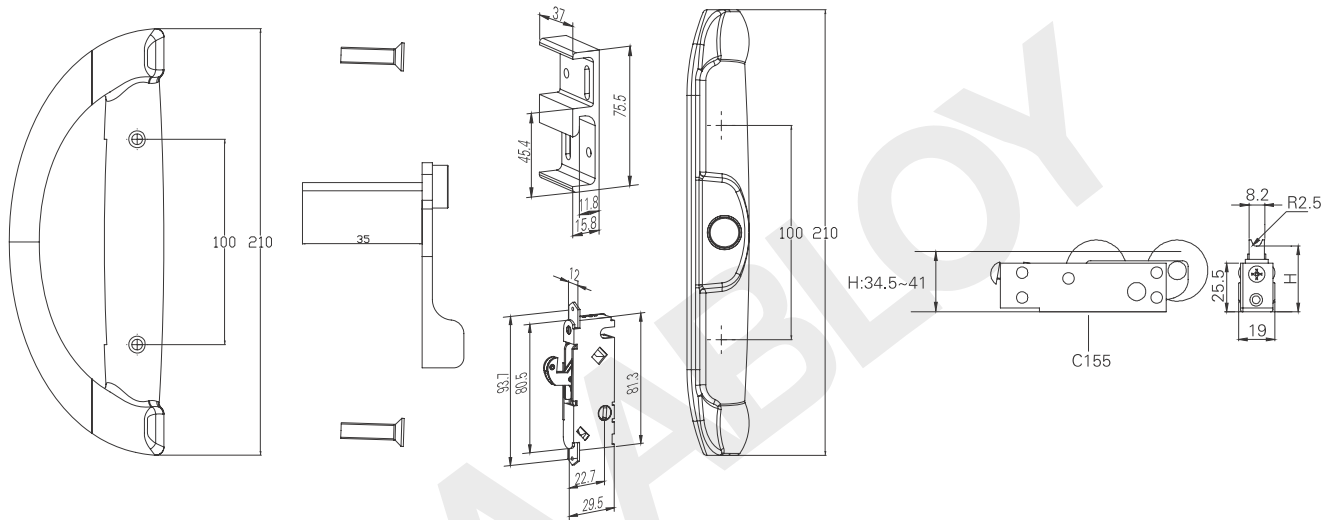
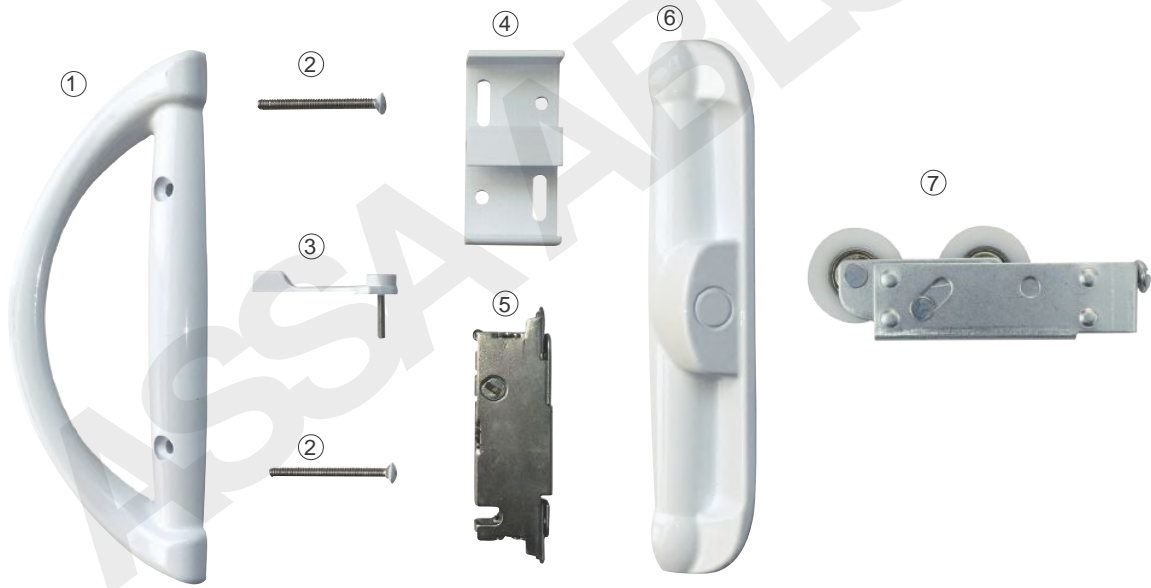
**PATIO DOOR ACCESSORIES**



No.	Name	Item No.	Qty.
1	Door Lock	TYBS4032-SH	1
2	External Handle	TYBS4032-01	1
3	Inner Handle	TYBS4032-02	1
4	Inner Level	TYBS4032-03	1
5	Keeper	TYBS4032-24	1
6	Keeper Cushion	TYBS4032-23	1
7	Roller	C155	2
8	Cylinder	TYBS4032-05/06/07	1

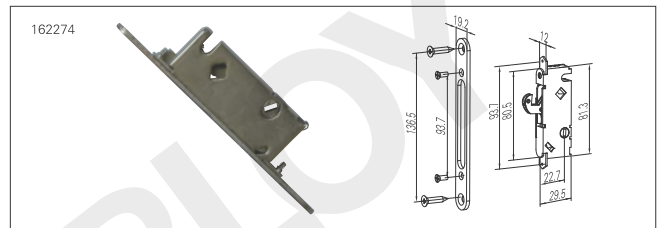
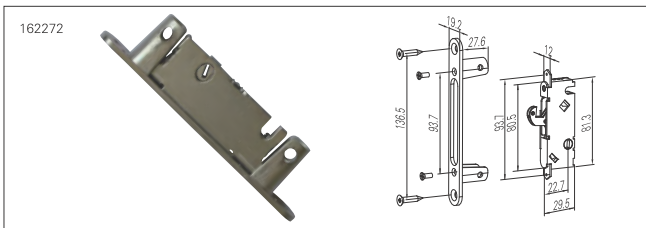
**PATIO DOOR ACCESSORIES**

**System No. MTYBS401**



No.	Name	Item No.	Qty.
1	Inner Handle	MTYBS401-01	1
2	Screw	10#-24x2"	2
3	Inner Level	TYBS4032-03(GJ)	1
4	Keeper	162160	1
5	Mechanism	162159	1
6	External Handle	MTYBS401-02	1
7	Roller	C155	2

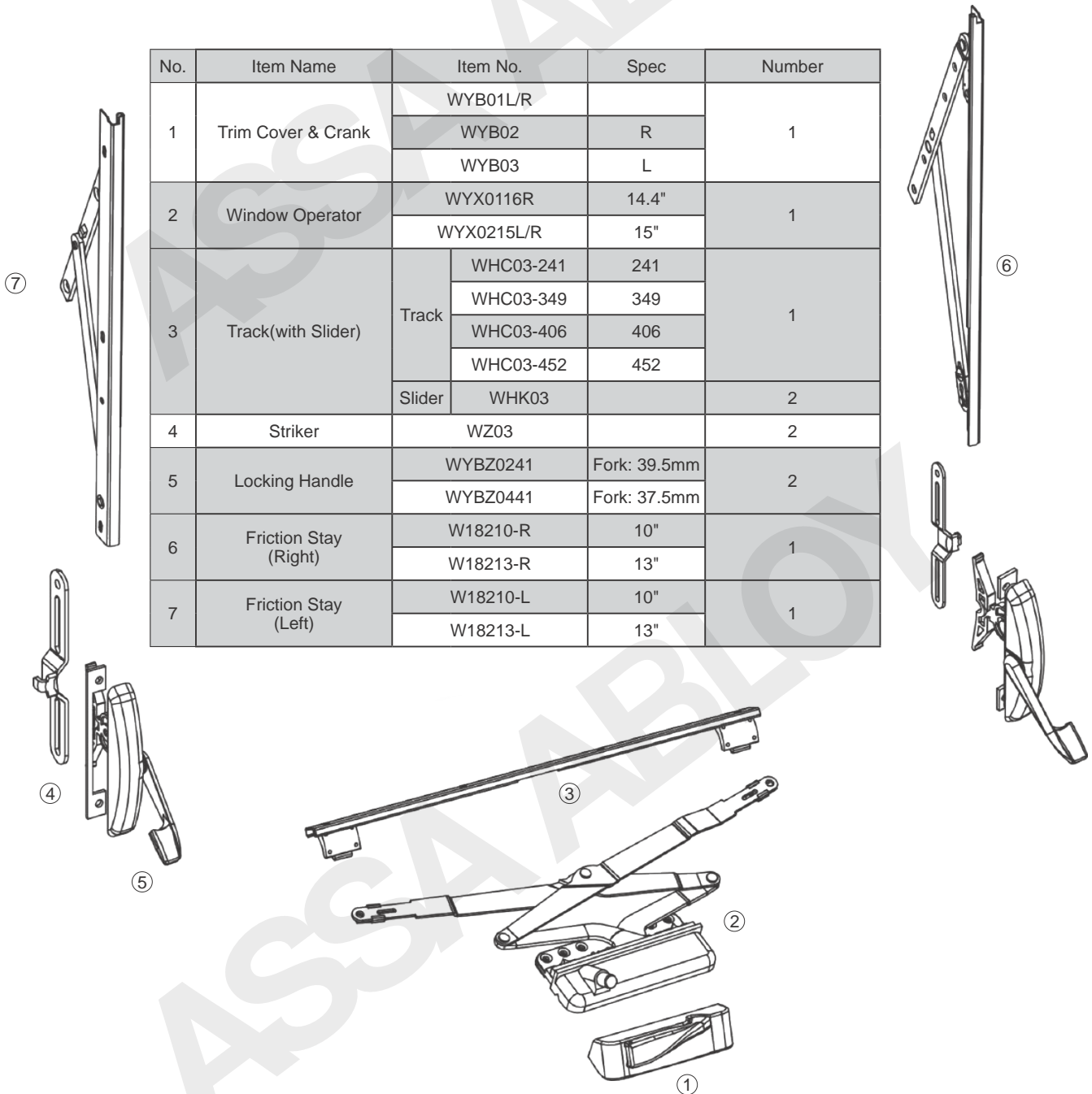


**PATIO DOOR ACCESSORIES**


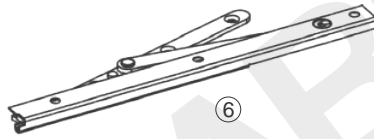
No.	Name	Item No.		Spec.
1	Exterior Handle	162262		with screw 10#-24*2"
2		162263		with screw 10#-24*1-3/4"
3		162270	L	
4		162268	R	with cylinder pin L=28.5mm
5		162271	L	
6		162269	R	with cylinder pin L=26mm
7	Interior Handle	162264	L	with thumbturn pin L=22mm
8		162266	R	
9		162265	L	with thumbturn pin L=17mm
10		162267	R	
11	Mechanism	162272		
12		162159		
13		162274		
14	Keeper	162278		
15		162160		

**AWNING WINDOW OPERATOR SYSTEM**

No.	Item Name	Item No.	Spec	Number	
1	Trim Cover & Crank	WYB01L/R		1	
		WYB02	R		
		WYB03	L		
2	Window Operator	WYX0116R	14.4"	1	
		WYX0215L/R	15"		
3	Track(with Slider)	Track	WHC03-241	241	1
			WHC03-349	349	
			WHC03-406	406	
			WHC03-452	452	
	Slider	WHK03		2	
4	Striker	WZ03		2	
5	Locking Handle	WYBZ0241	Fork: 39.5mm	2	
		WYBZ0441	Fork: 37.5mm		
6	Friction Stay (Right)	W18210-R	10"	1	
		W18213-R	13"		
7	Friction Stay (Left)	W18210-L	10"	1	
		W18213-L	13"		



**CASEMENT WINDOW OPERATOR SYSTEM**



No.	Item Name	Item No.	Spec	Number
1	Trim Cover & Crank	WYB01L/R		1
		WYB02	R	
		WYB03	L	
2	Window Operator	WYP0116L/R	18.6"	1
		WYP0216L/R	15.9"	
		WYP219L/R	18.9"	
3	Support Bracket	WZJ01L/R		1
4	Track (with Slider)	WHC02-368	368	1
		WHC04-224	224	
		WHC04-289	289	
		WHC04-320	320	
		WHC04-368	368	
5	Friction Stay	W18210-L	10"	1
6	Friction Stay	W18210-R	10"	1
7	Striker	WZ02		2/3
8	Tie Bar	WC01700	380mm	1
		WC01900	581mm	
		WC011200	886mm	
9	Locking Handle	WYBZ0118	Fork: 39.7mm	1
		WYBZ0334	Fork: 34.3mm	
		WYBZ0341	Fork: 40.7mm	
		WYBZ0347	Fork: 47.1mm	
10	Keeper	WM01		4



⑩



⑩



⑦



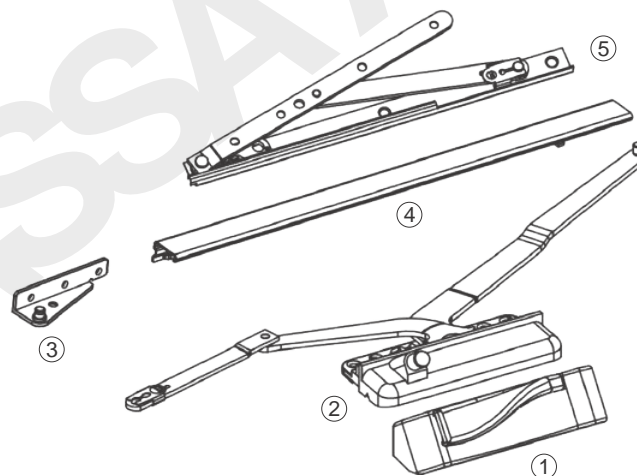
⑦



⑧

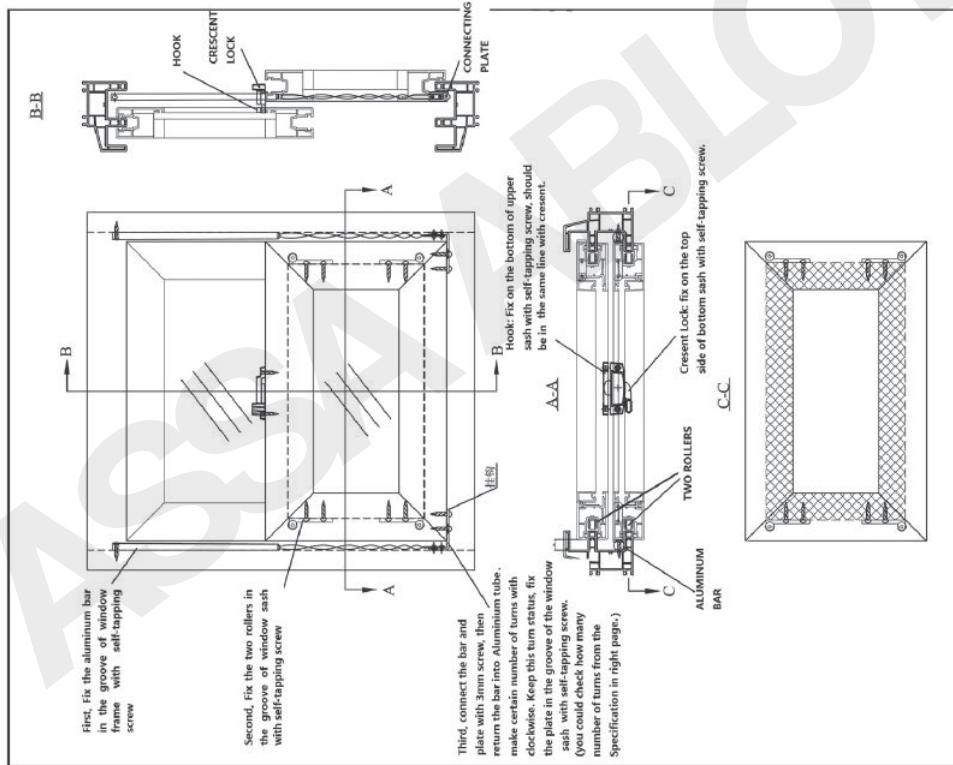


⑨



# WINDOW BALANCE

## ASSEMBLY DRAWING OF EUROPEAN VERTICAL SLIDING WINDOW



## Reference Table for European Window Balance

Window Balance used in Upper Sash (inch)=Height of window Frame(mm)/50.8-4  
 Window Balance used in Bottom Sash (inch)=Height of window Frame(mm)/50.8-2

ITEM NO.	SPEC./INCH	NUMBER OF TURNS	Load-bearing of 2pcs of Window Balance(kg)
WT201R7 ~ R10	R7 ~ R10	3 ~ 5	4 ~ 7.5
WT201R11 ~ R12	R11 ~ R12	3 ~ 6	4 ~ 8
WT201R13 ~ R14	R13 ~ R14	3 ~ 7	4.5 ~ 8.5
WT201R15 ~ R19	R15 ~ R19	3 ~ 8	4.5 ~ 10
WT201R20 ~ R21	R20 ~ R21	3 ~ 9	4.5 ~ 10.5
WT201R22 ~ R24	R22 ~ R24	3 ~ 11	6.5 ~ 15.5
WT201R25 ~ R32	R25 ~ R32	3 ~ 13	6.5 ~ 16
WT201R33 ~ R41	R33 ~ R41	3 ~ 13	7 ~ 16.5
WT201R42 ~ R50	R42 ~ R50	3 ~ 14	7.5 ~ 17

### Middle-weight Series:

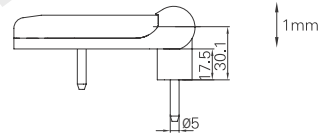
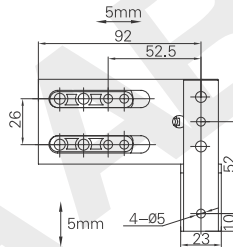
WT201B11 ~ B12	B11 ~ B12	3 ~ 6	6 ~ 13
WT201B13 ~ B14	B13 ~ B14	3 ~ 7	7 ~ 14
WT201B15 ~ R17	B15 ~ R17	3 ~ 8	7 ~ 15
WT201B18 ~ R19	B18 ~ R19	3 ~ 8	7.5 ~ 15.5
WT201B20 ~ R21	B20 ~ R21	3 ~ 9	7.5 ~ 16

### Heavy-weight Series:

WT201HD20 ~ HD21	HD20 ~ HD21	5 ~ 9	12 ~ 23.5
WT201HD22 ~ HD30	HD22 ~ HD30	6 ~ 10	12 ~ 24
WT201HD31 ~ HD32	HD31 ~ HD32	7 ~ 11	12.2 ~ 26
WT201HD33 ~ HD36	HD33 ~ HD36	8 ~ 12	12.5 ~ 26
WT201HD37 ~ HD39	HD37 ~ HD39	9 ~ 13	12.5 ~ 26
WT201HD40 ~ HD45	HD40 ~ HD45	10 ~ 14	13 ~ 26
WT201HD46 ~ HD50	HD46 ~ HD50	11 ~ 15	13.1 ~ 26
WT201HD51 ~ HD55	HD51 ~ HD55	12 ~ 16	13.1 ~ 26.5
WT201HD56 ~ HD60	HD56 ~ HD60	13 ~ 17	13.3 ~ 26.5

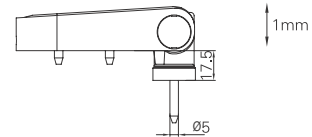
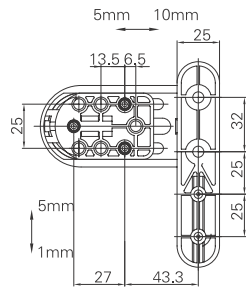
**DOOR HINGE**

● MJ10050400



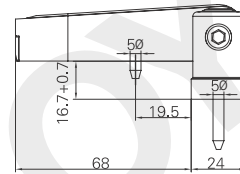
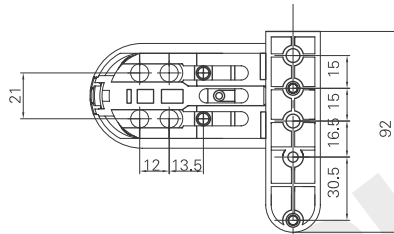
● Max bearing weight:100kg

● MJ10050900



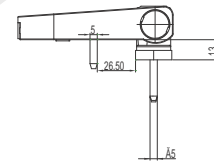
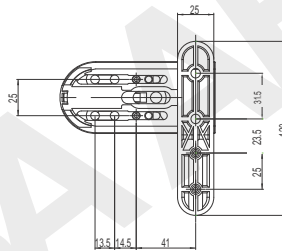
● Max bearing weight:130kg

● 10570-1



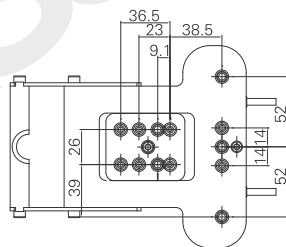
● Max bearing weight:90kg

● 105700

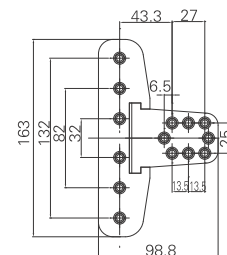


● Max. bearing weigh:120kg  
1mm and 2mm packer will be given,  
1 pcs each

● Door hinge fixture



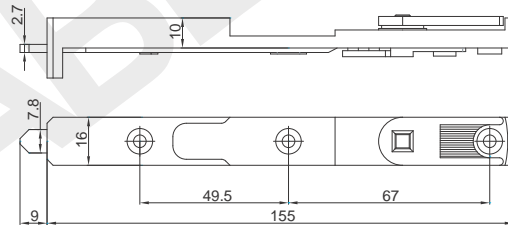
KM10560



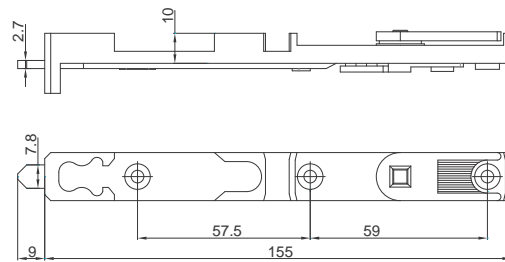
KMMJ10050900

**DOOR SHOOTBOLT**

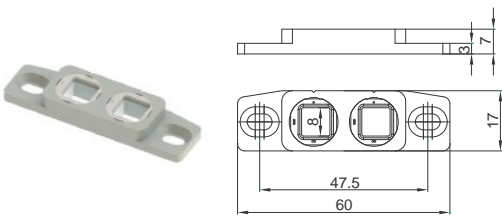
● MDCXS0609



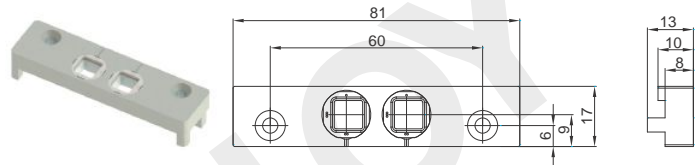
● MDCXX0609



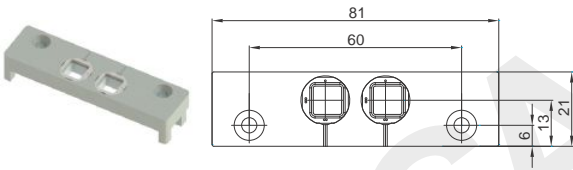
● Keeper CXZ01



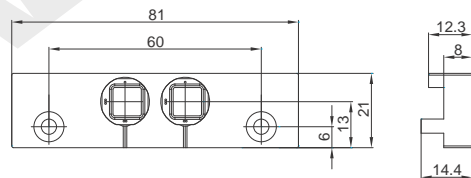
● Keeper CXZ02



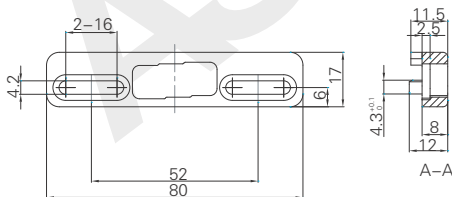
● Keeper CXZ03



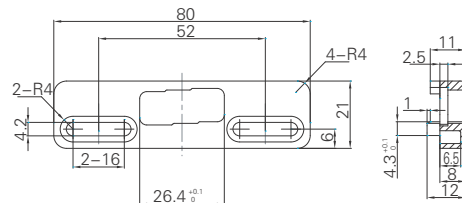
● Keeper CXZ04



● Keeper CXZ06



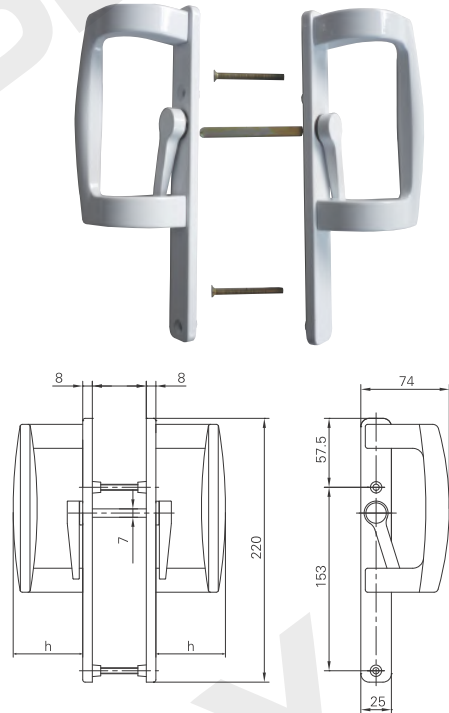
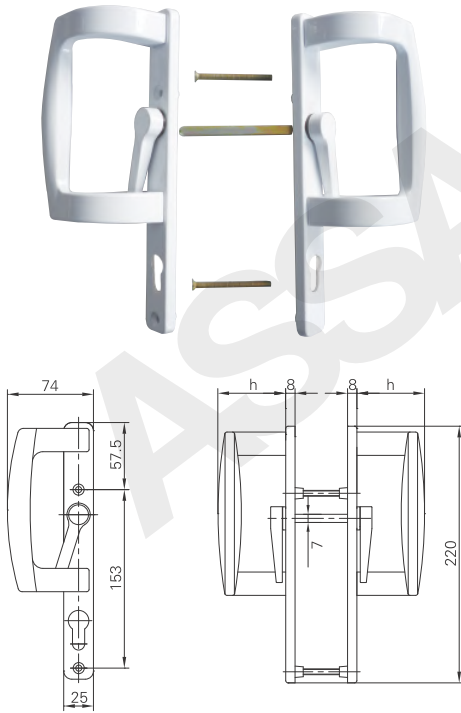
● Keeper CXZ07



**DOOR HANDLE**

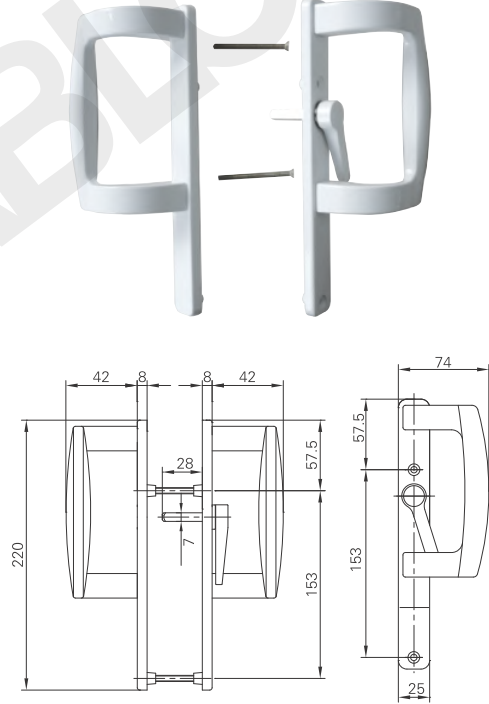
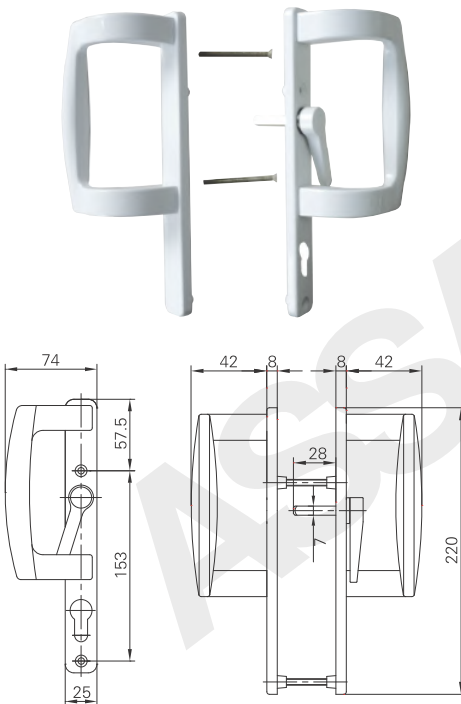
● MSZ921825L/R (h=58mm) MSZ922625L/R(h=42mm)

● MSZ001825.1L/R (h=58mm) MSZ002625.2L/R(h=42mm)



● MSZ922625046.1L/R

● MSZ002625046.1 L/R

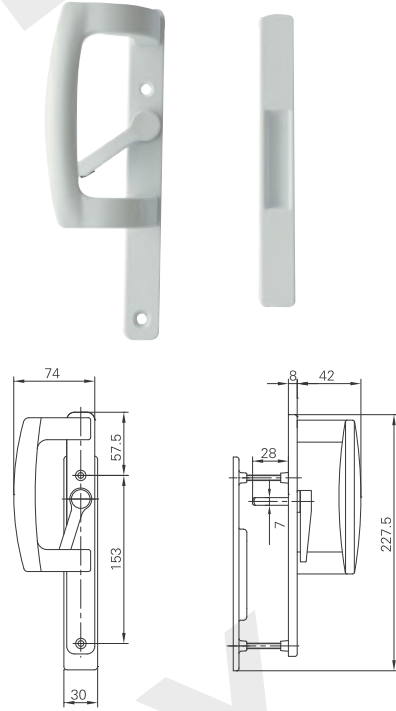
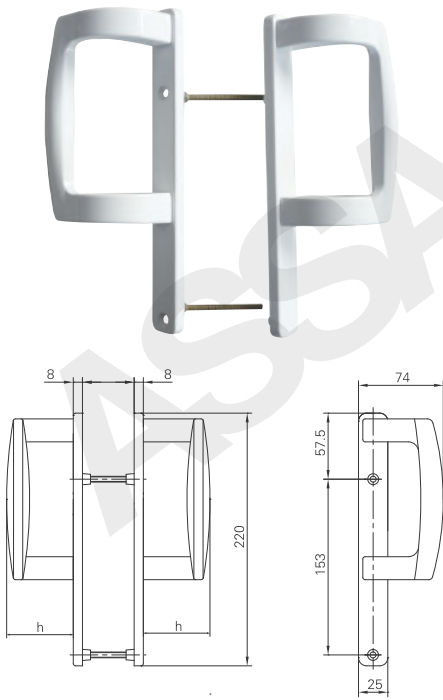




**DOOR HANDLE**

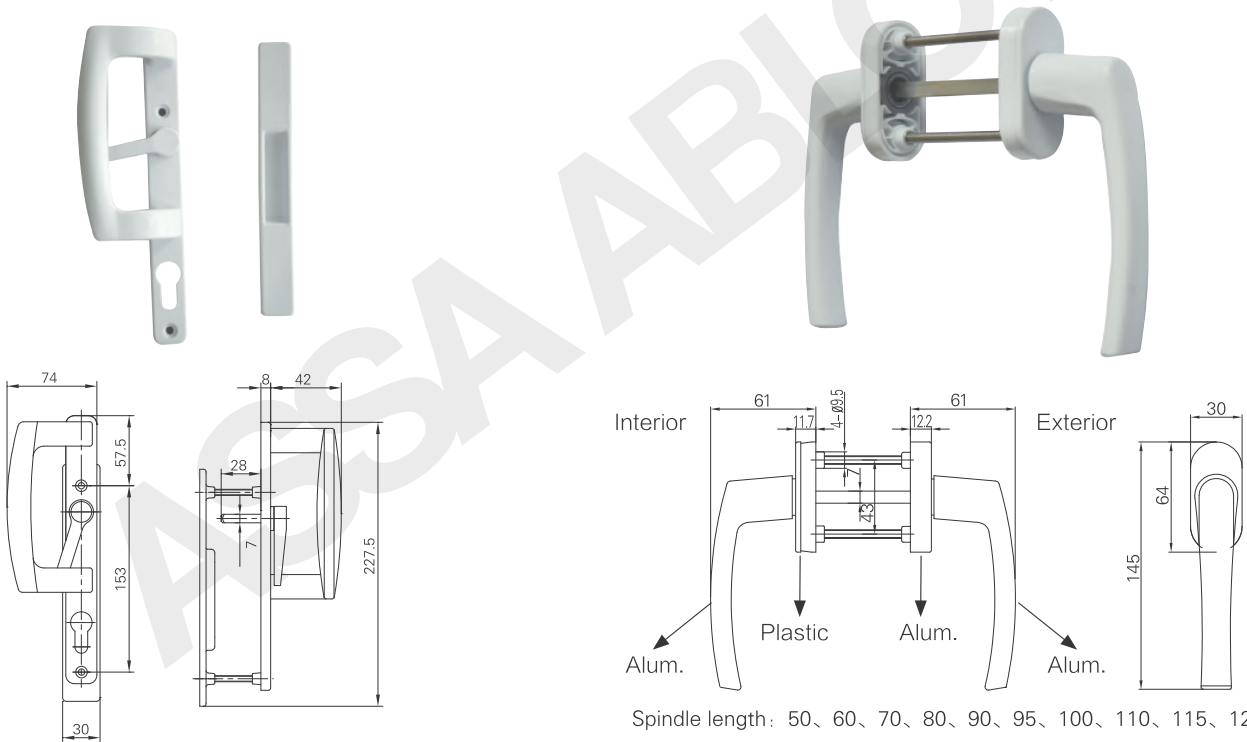
● MSZ001825 L/R (h=58mm) MSZ002625 L/R (h=42mm)

● MSZ002625046.2 L/R



● MSZ922625046.2 L/R

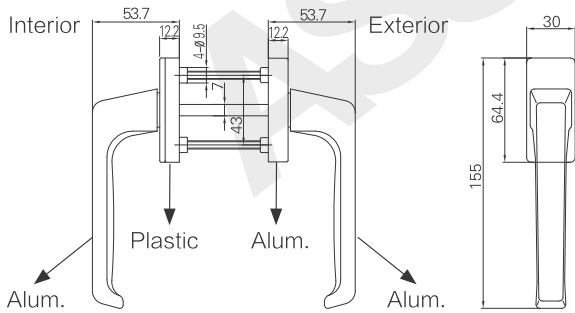
● SMZ11



Spindle length: 50、60、70、80、90、95、100、110、115、120、130

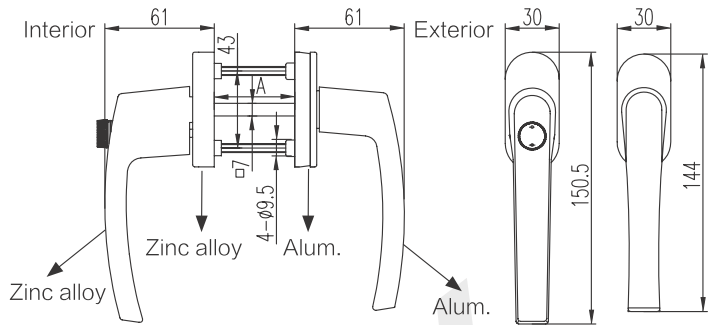
**DOOR HANDLE**

● SMZ10B



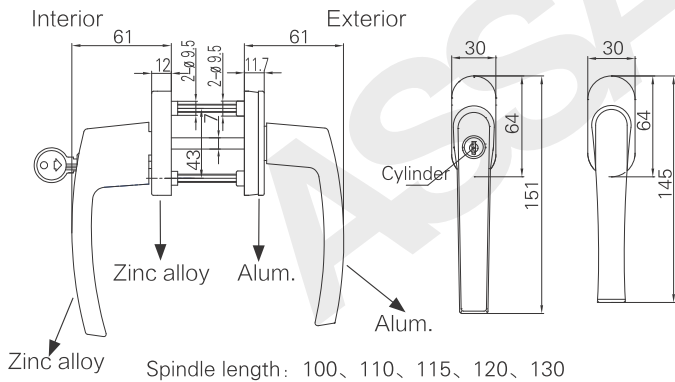
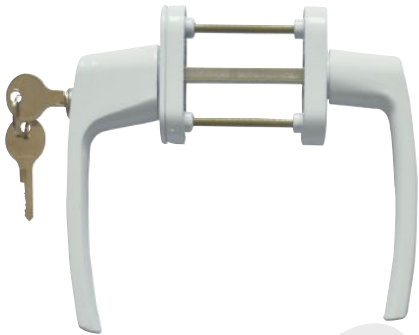
Spindle length: 50、60、70、80、90、95、100、110、115、120、130

● SMZ18



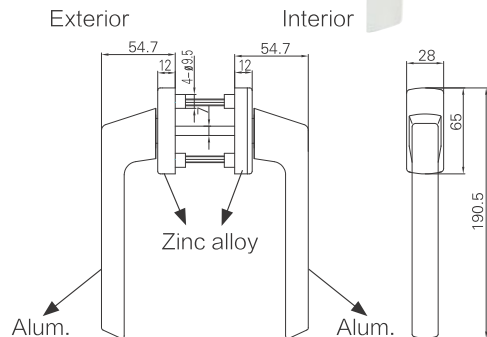
Spindle length: 50、70、90、95、100、105、110、115、120、130

● SMZ17(Different Keys) SMZ17105.1(Same Keys)



Spindle length: 100、110、115、120、130

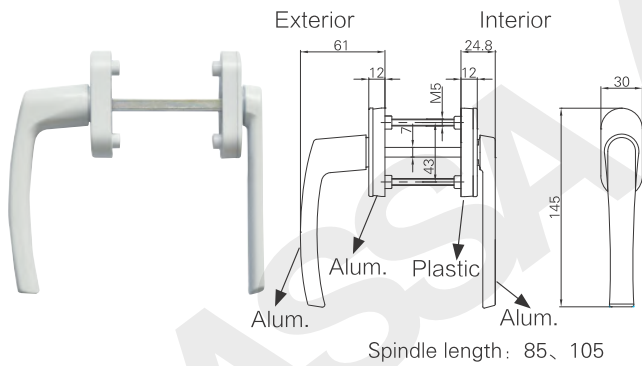
● SMZ07



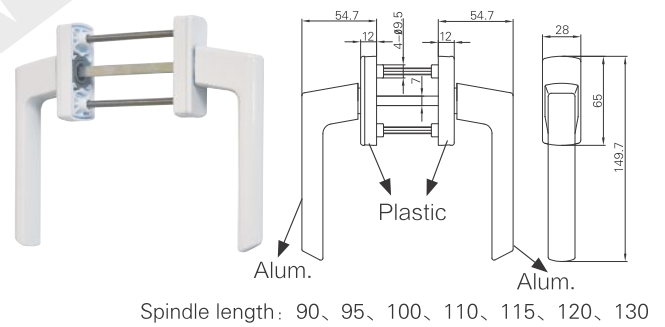
Spindle length: 90、95、100、110、115、120

**DOOR HANDLE**

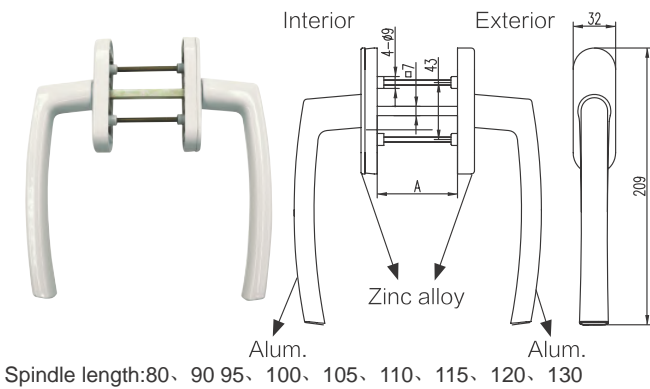
● SMFZ01085.1 / SMFZ01105.1



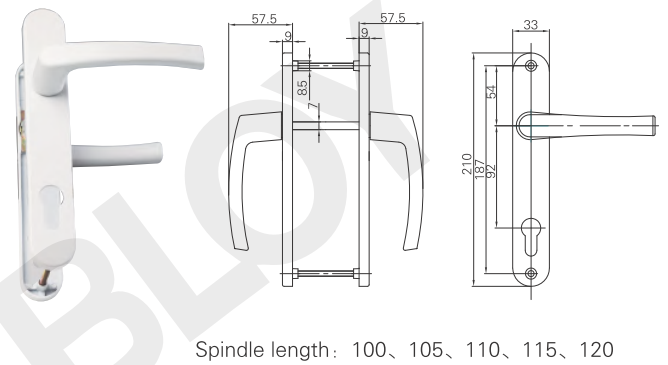
● SMZ08X



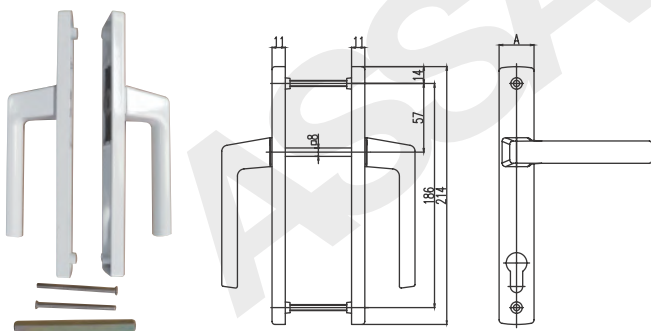
● SMZ19



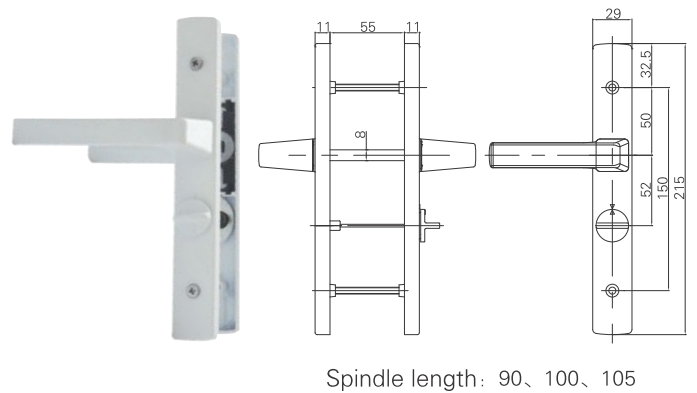
● MSZ920833L/R(Fit with door lock DS92160235)



● MSZ921929 (A=29) Fit with door lock ZS92160235  
MSZ921933 (A=33)



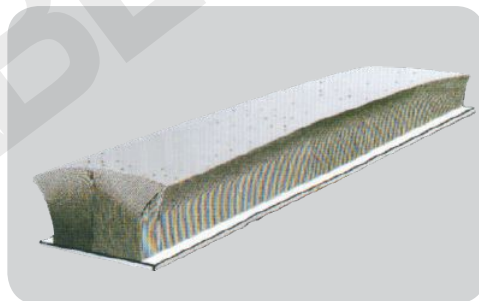
● MSZ002129090 (Fit with door lock DS00160330)



ACCESSORIES



Track Rail



Brush



Aluminum space bar



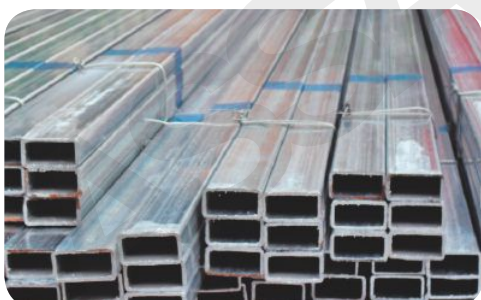
Corner for space bar



Molecular sieve



Foam Sealant



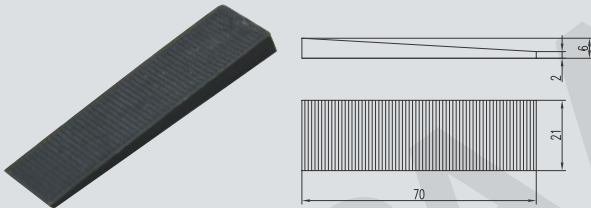
Steel reinforcement



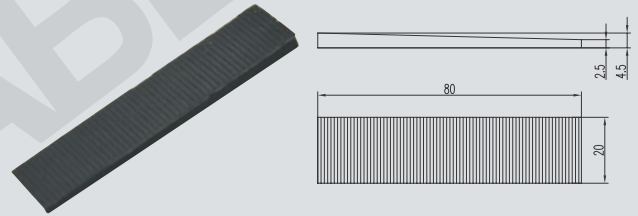
Glue Gun

**ACCESSORIES**

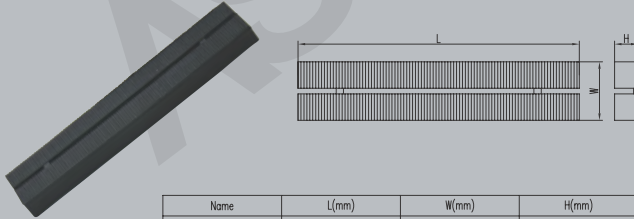
Glass packer



Glass packer

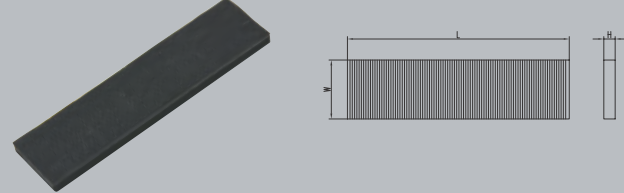


Glass packer



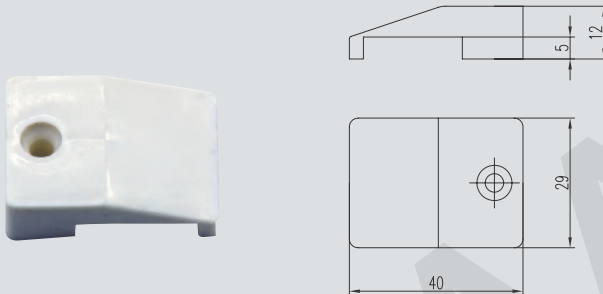
Name	L(mm)	W(mm)	H(mm)
Glass Packer	100	20	2
Glass Packer	100	20	3
Glass Packer	100	20	4
Glass Packer	100	20	5
Glass Packer	100	20	8

Glass packer

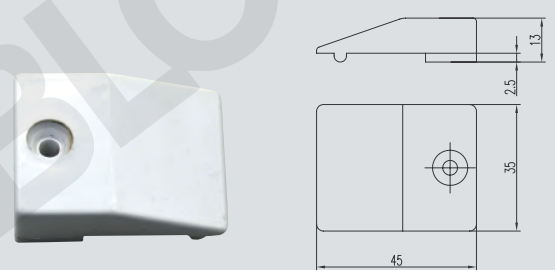


Name	L(mm)	W(mm)	H(mm)
Glass Packer	100	26	2
Glass Packer	100	26	3
Glass Packer	100	26	4
Glass Packer	100	26	5

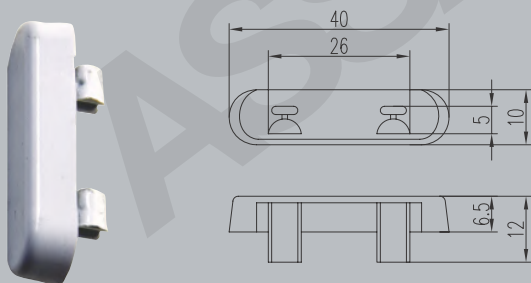
LB12 (Sash Lifter)



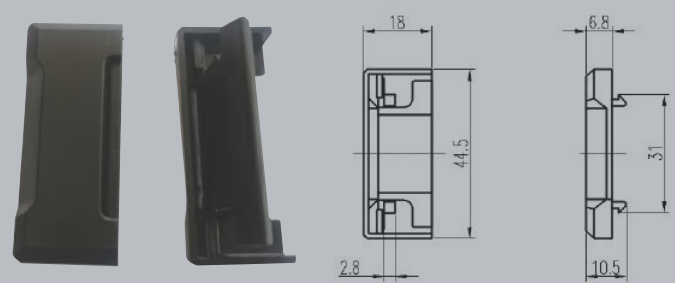
LB13 (Sash Lifter)



HC 11 (Drain Hole Cover)



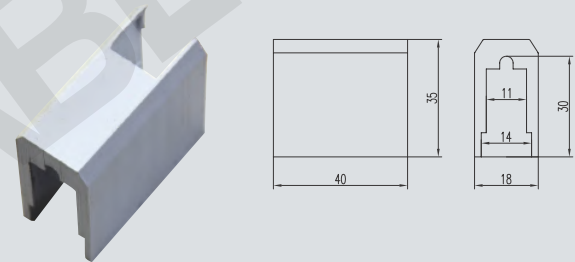
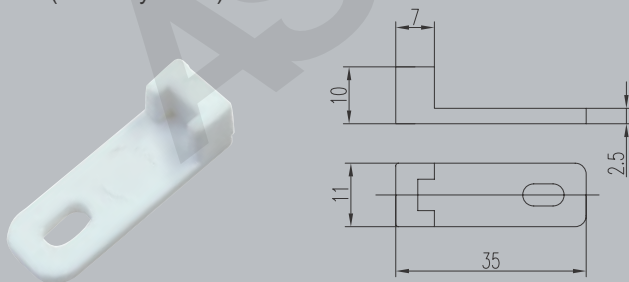
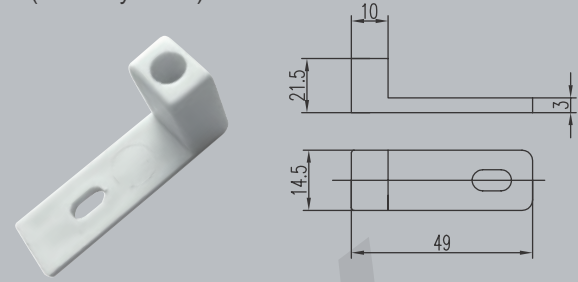
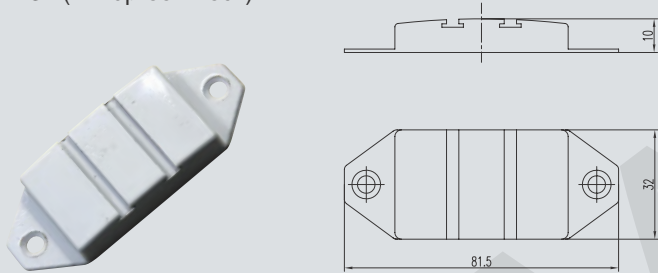
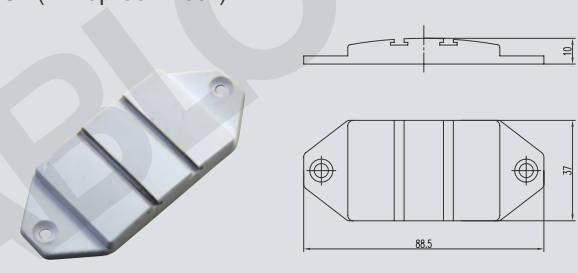
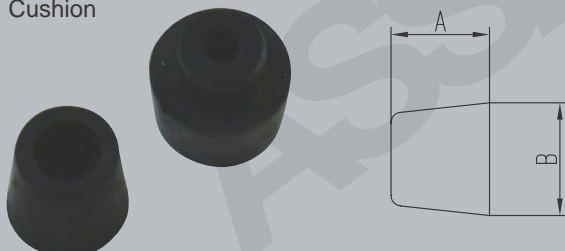
HC 14 (Drain Hole Cover)



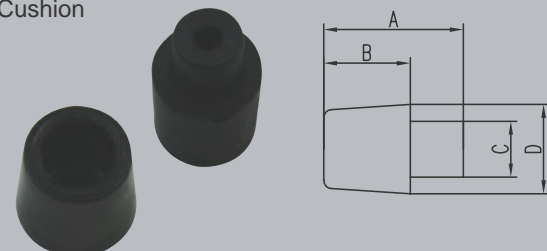
# ACCESSORIES

**Anchor Cap**


Name	A(mm)	B(mm)	Suit For Hole Diameter
Anchor Cap	12	8	8
Anchor Cap	14	8	10
Anchor Cap	15	8	12
Anchor Cap	17	7.5	13
Anchor Cap	18	7.5	14
Anchor Cap	18.5	7	15
Anchor Cap	19	7	16

**BB 88 (Bumper Block)**

**SB01 ( Security Block)**

**SB02 ( Security Block)**

**WB32 (Windproof Block)**

**WB37 (Windproof Block)**

**Cushion**


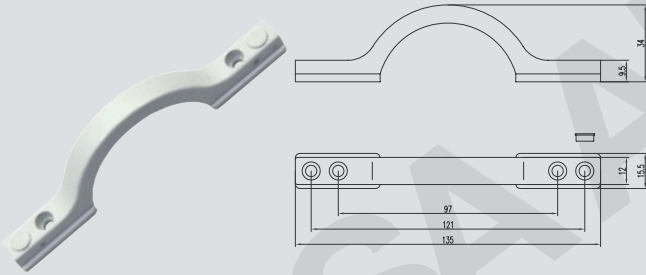
Name	Item No.	A(mm)	B(mm)
Cushion	C10	10	ø16
Cushion	C12	12	ø13.5
Cushion	C14	14	ø16

**Cushion**


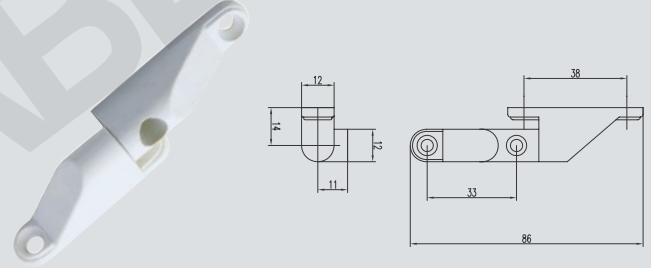
Name	Item No.	A(mm)	B(mm)	C(mm)	D(mm)
Cushion	C15	15	10	ø10	ø16
Cushion	C19	19	13.5	ø10	ø16
Cushion	C25	25	15.5	ø10	ø16

**ACCESSORIES**

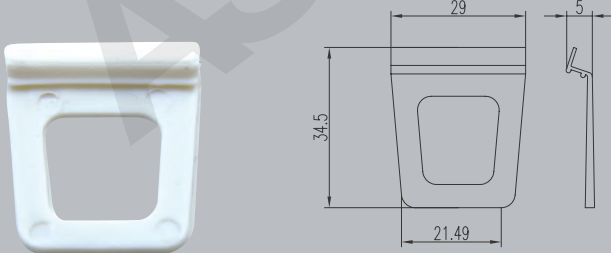
WH135 (Screen Window Handle)



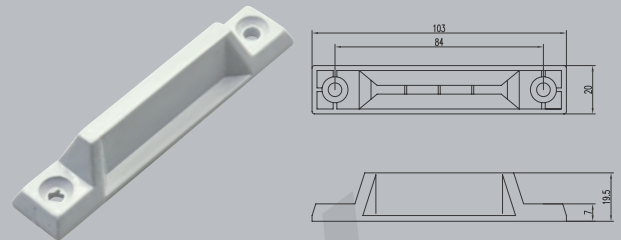
2520(Screen Window Hinge) material: zink alloy  
WH86(Screen Window Hinge) material: Nylon



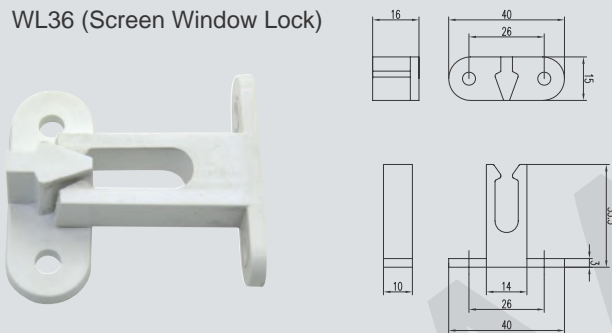
WH29 (Screen Window Handle)



WH127 (Screen Window Handle)



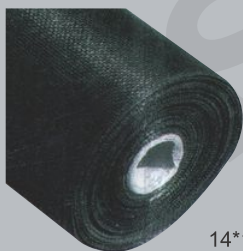
WL36 (Screen Window Lock)



WL37(Screen Window Lock)

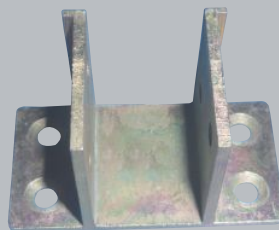


Window Screen (material: glass fiber)



14\*14mm 1\*25m  
14\*14mm 1.2\*30m  
14\*14mm 1.5\*25m

8862(Mullion Connector)









DS01 (Door Stopper)





## ACCESSORIES

### Screw: SS304/SS410 /Carbon steel      Surface: Silver /Yellow/Dacromet

	Cross recessed countersunk head drilling screws with tapping thread		Countersunk flat head screws with cross recessed
	Cross recessed pan head tapping screws		Cross recessed pan head drilling screws with tapping thread
	Cross recessed flat head self tapping screws		Cross recessed truss head drilling screws with tapping thread

### Anchor Bolt

	Nylon anchor bolt		Nylon anchor bolt
	Metal Anchor Bolt		Stainless Steel 304 Anchor Bolt

### SEALING GASKET ( EPDM / PVC / TPV )



S024



GS-S



GS-01



GS-02



GS-40



GS-001



GS-10



GS-104

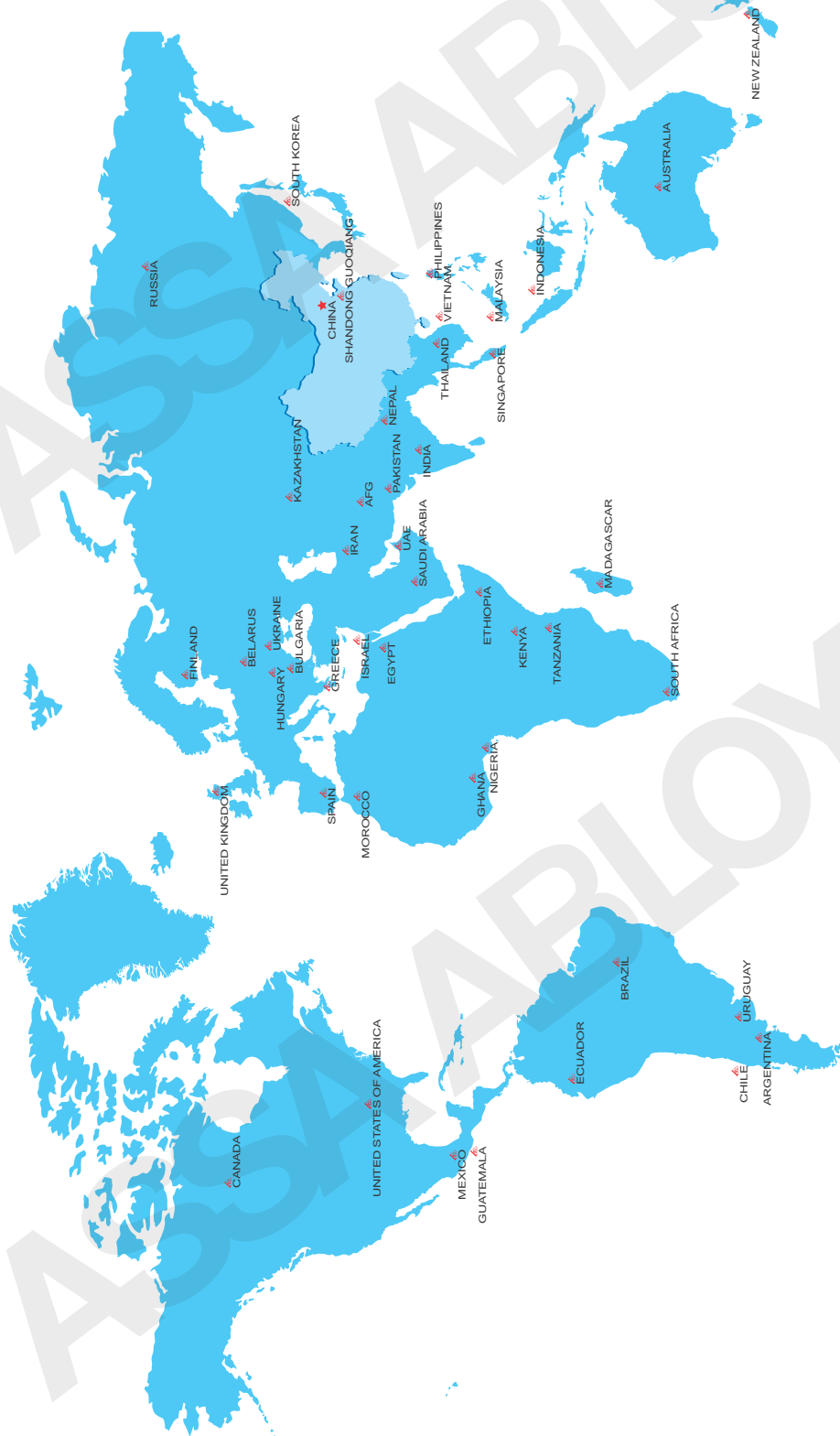


GSK-02



GSH-02

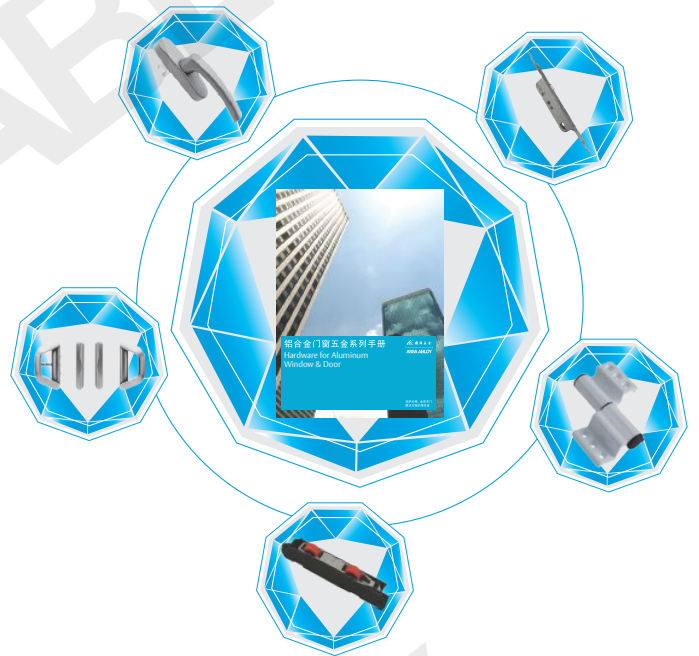
## SALES NETWORK



OTHER PRODUCT RANGES



COMMERCIAL HARDWARE CATALOGUE



HARDWARE FOR ALUMINUM WINDOW & DOOR



YALE INTELLIGENT WINDOW-OPENING SYSTEM



FINGERPRINT LOCK PRODUCT MANUAL

**ASSA ABLOY**

**ASSA ABLOY GUOQIANG (SHANDONG) HARDWARE TECHNOLOGY CO.,LTD.**

Address : 518 Tingjin Road, Leling, Shandong Prov. China

Zip Code: 253600

Tel : 86 – 534 – 2119510

Fax: 86 – 534 – 2119025

E-mail: [export@guoqiang.cn](mailto:export@guoqiang.cn)

Website : [www.guoqiang.cn](http://www.guoqiang.cn)  
[www.assaabloy.cn](http://www.assaabloy.cn)